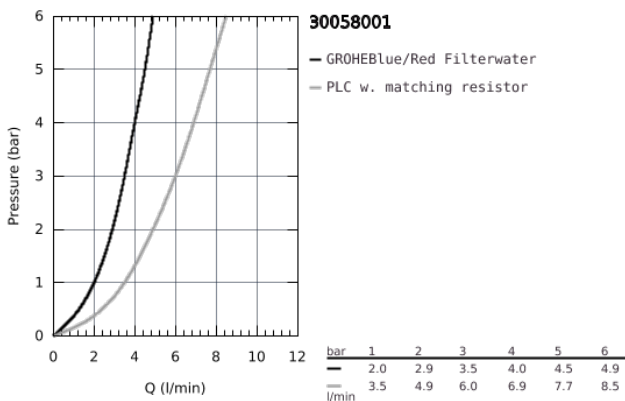
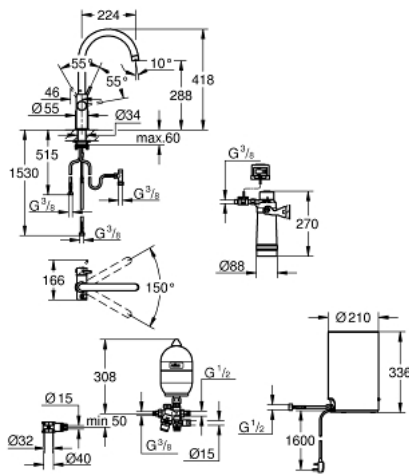


30 058 001 GROHE RED DUO TAP AND M SIZE BOILER



PRODUCT DESCRIPTION (1/2)

- Colour: Chrome
- Consisting of:
 - GROHE Red Duo single-lever sink mixer
 - monobloc installation
 - C-spout
 - GROHE ChildLock push buttons for kettle hot water
 - TÜV certified triple electronic safeguards against accidental activation of boiling water
 - GROHE Long-Life finish
 - 28 mm ceramic cartridge with GROHE SilkMove
 - insulated tubular spout
 - swivel area 150°
 - separate water ways
- flexible connection hoses
- connection for GROHE Red boiler
- GROHE Red boiler M size
- reservoir for kettle hot and hot water
- 3 litre 99° C kettle hot water
- 4 litre total capacity
- required inlet pressure: 1-7 bar
- with flexible connection hose and outlet for kettle hot water
- CE approved
- power supply 230 V 50 Hz
- power consumption 2100 W
- standby power consumption 15 W
- energy efficiency class A
- GROHE Blue S-Size filter starter set
- for protection of the boiler from limescale
- Capacity 600 L at 20° dKH

Pure Freude
an Wasser

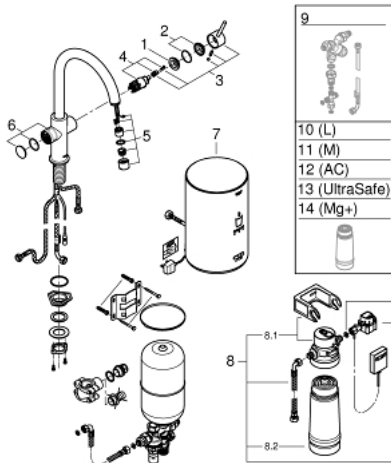


30 058 001 **GROHE RED DUO TAP AND M SIZE BOILER**

PRODUCT DESCRIPTION (2/2)

- KIWA KUKReg4 Certified

30 058 001 GROHE RED DUO TAP AND M SIZE BOILER



SPARE PARTS, August 2013 – now

- 1: retaining ring (Spare part-nr. 07419000)
- 2: Shield for cross handle (Spare part-nr. 46581000)
- 3: Lever (Spare part-nr. 46957000)
- 4: Cartridge (Spare part-nr. 46580000)
- 5: Flow control (Spare part-nr. 48370000)
- 6: Operating unit (Spare part-nr. 46997000)
- 7: Boiler Size M (Spare part-nr. 40842001)
- 8: S-size filter starter set (Spare part-nr. 40438001)
- 8.1: Filter Head (Spare part-nr. 64508001)
- 8.2: Filter S-Size (Spare part-nr. 40404001)
- 9: Mixing valve (Spare part-nr. 40841001)*
- 10: Filter L-Size (Spare part-nr. 40412001)*
- 11: Filter M-Size (Spare part-nr. 40430001)*
- 12: Activated carbon filter (Spare part-nr. 40547001)*
- 13: UltraSafe filter (Spare part-nr. 40575001)*
- 14: Magnesium+ Filter (Spare part-nr. 40691001)*

* Optional accessories