



DIN EN 806

DIN EN 1717

DIN 1988



bar

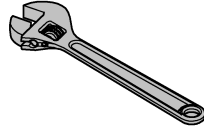
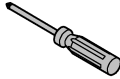


°C

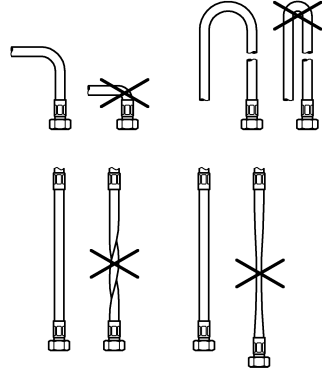
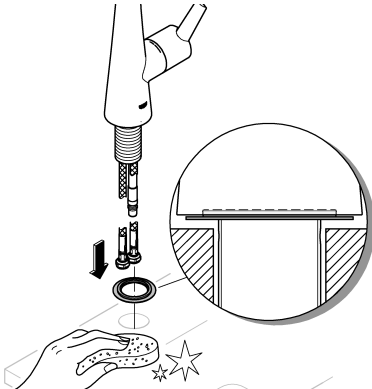
max. 10
0,5



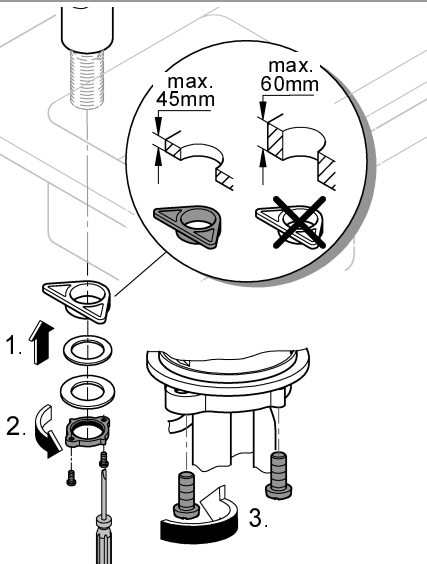
max. 70° thumbs up icon max. 60°



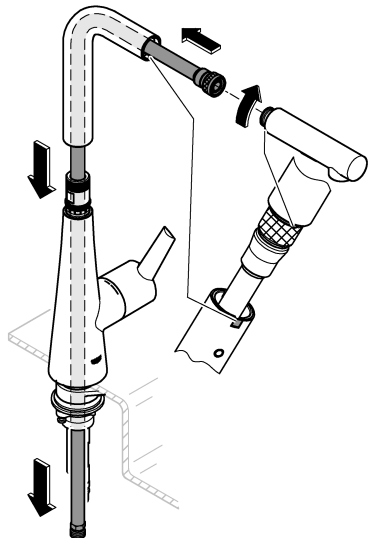
1



2

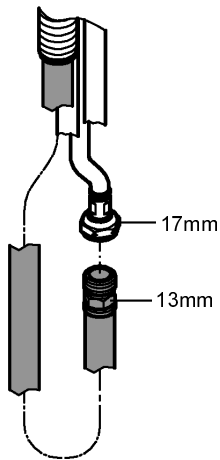


3



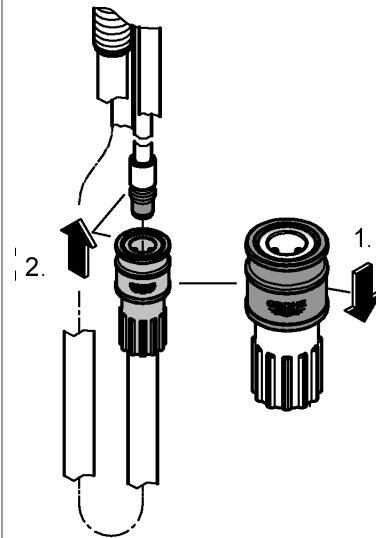
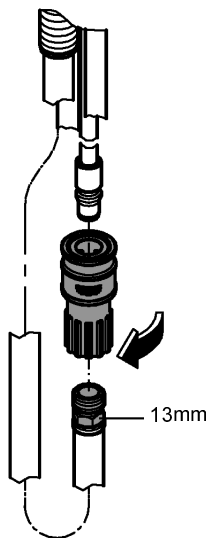


4a

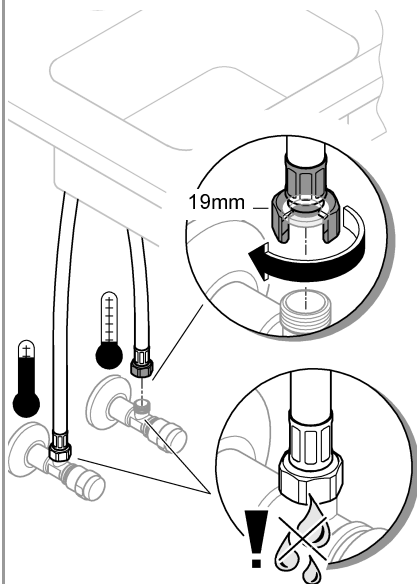


4b

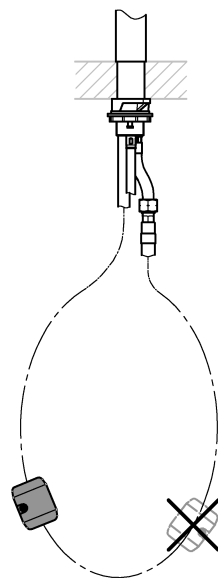
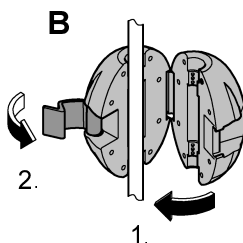
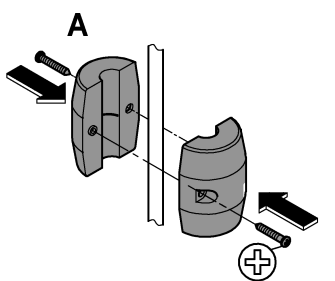
KSA UAE CN

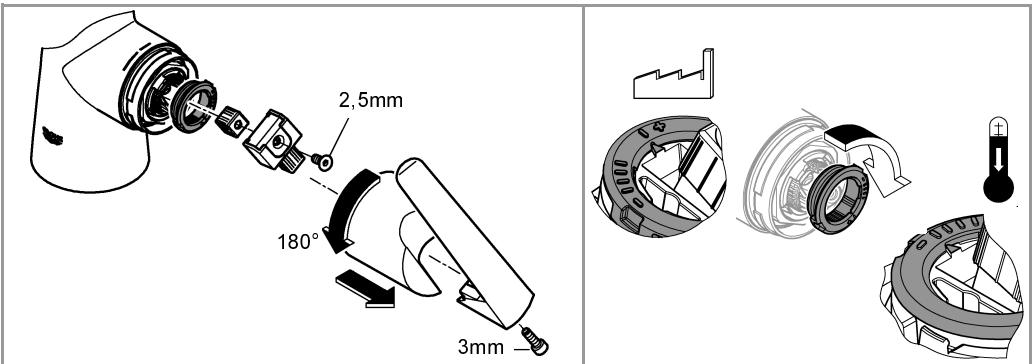
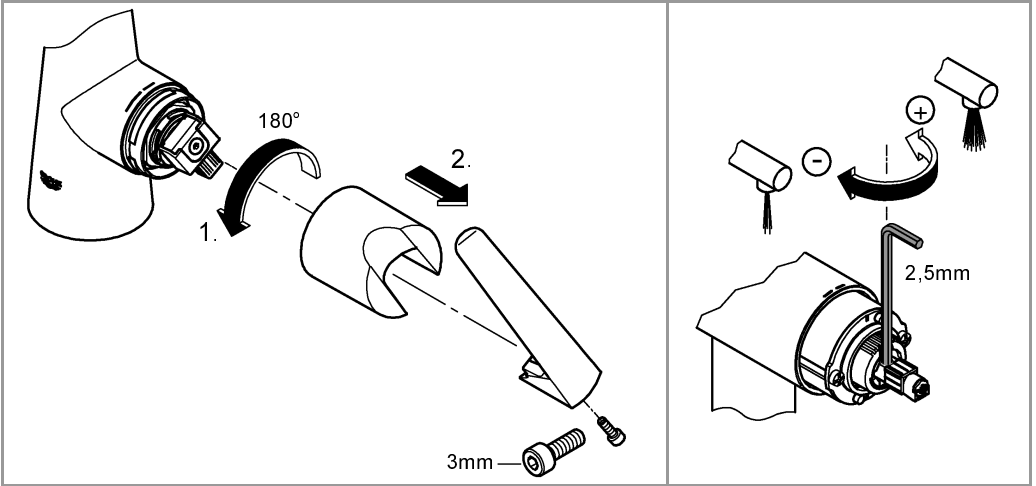
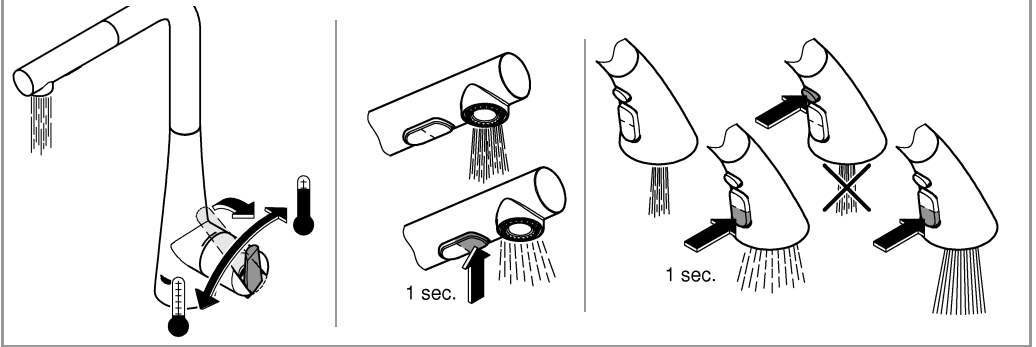


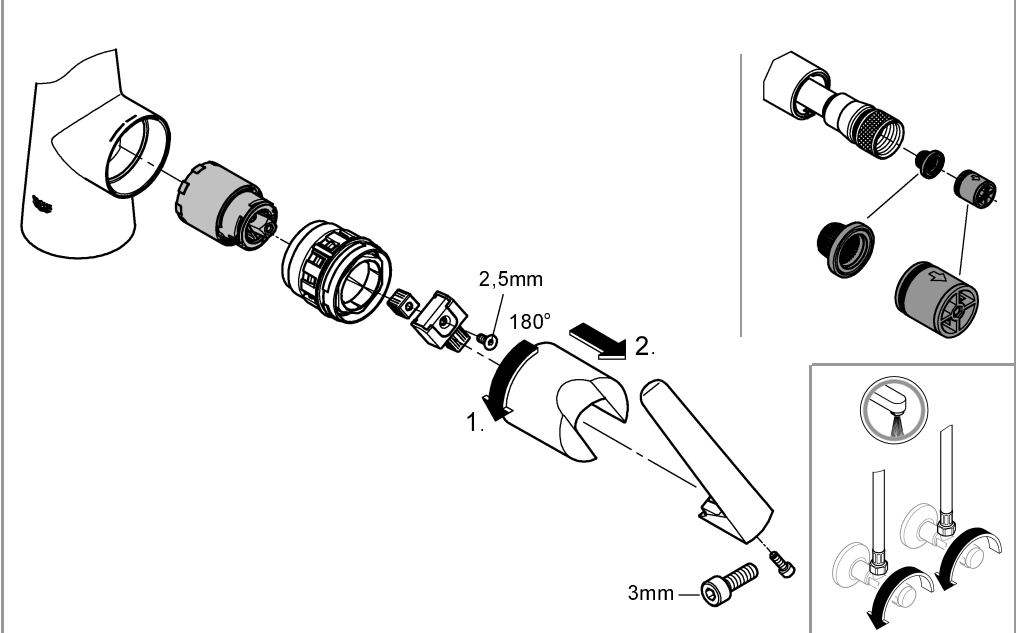
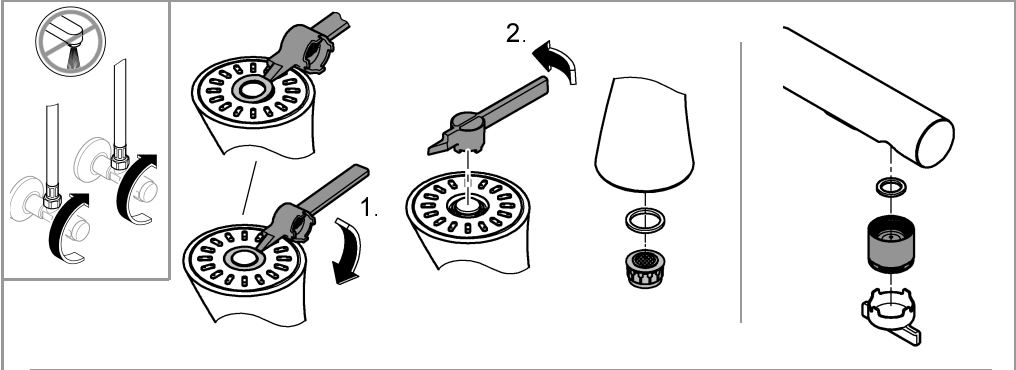
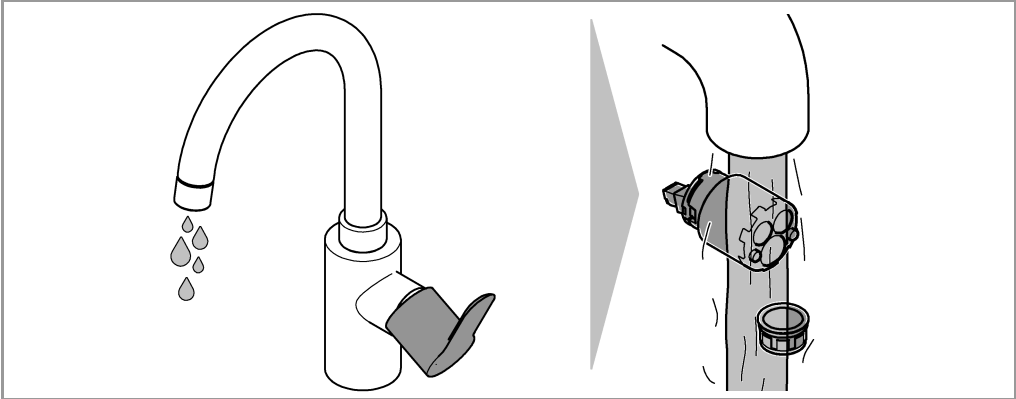
5



6









A series of horizontal lines for writing, consisting of 20 evenly spaced lines extending across the width of the page.

