

Focus

Single lever bath mixer for exposed installation

Finish: **Chrome** Article Number: **31940007**



Description

product features

- 2 functions
- projection: 180 mm
- centre distance: 150 ± 12 mm
- spray type mixer: normal spray
- ceramic cartridge
- temperature limitation adjustable
- diverter with automatic resetting
- protected against backflow, according to DIN EN 1717
- with silencer
- suitable for continuous flow water heaters
- connection dimension: DN15
- connection type: S-connections
- wall-mounted
- min. operating pressure: 1 bar
- max. operating pressure: 10 bar

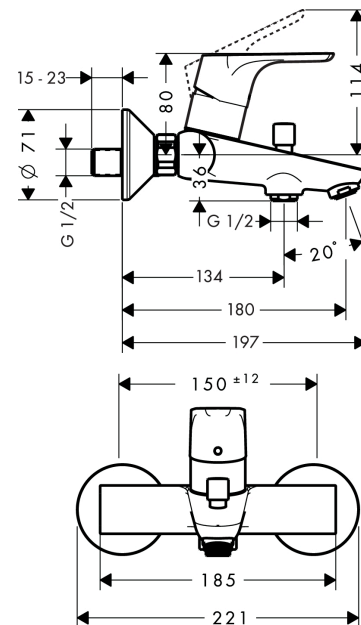
Technology



Product image



Scale drawing



Focus

Single lever bath mixer for exposed installation

Finish: **Chrome** Article Number: **31940007**



Flowchart

