

Rebris S
Single lever bath mixer for exposed installation
 Finish: **Chrome** Article Number: **72440007**



Description

product features

- 2 functions
- projection: 173 mm
- centre distance: 150 ± 12 mm
- spray type mixer: normal spray
- maximum flow rate at 3 bar: 20,4 l/min
- flow rate for bath spout at 3 bar: 20,4 l/min
- flow rate of hand shower at 3 bar: 7,4 l/min
- ceramic cartridge
- temperature limitation adjustable
- diverter with automatic resetting
- protected against backflow, according to DIN EN 1717
- with silencer
- suitable for continuous flow water heaters
- connection dimension: DN15
- connection type: s-shaped connections
- wall-mounted
- min. operating pressure: 1 bar
- max. operating pressure: 10 bar

Technology



Design awards



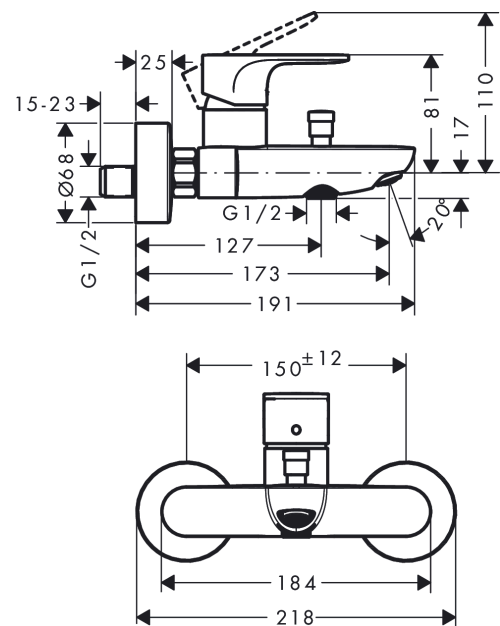
reddot winner 2022



Product image



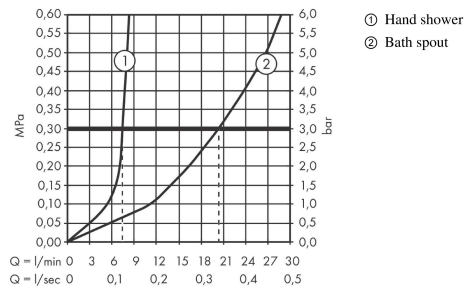
Scale drawing



Rebris S
Single lever bath mixer for exposed installation
 Finish: **Chrome** Article Number: **72440007**



Flowchart

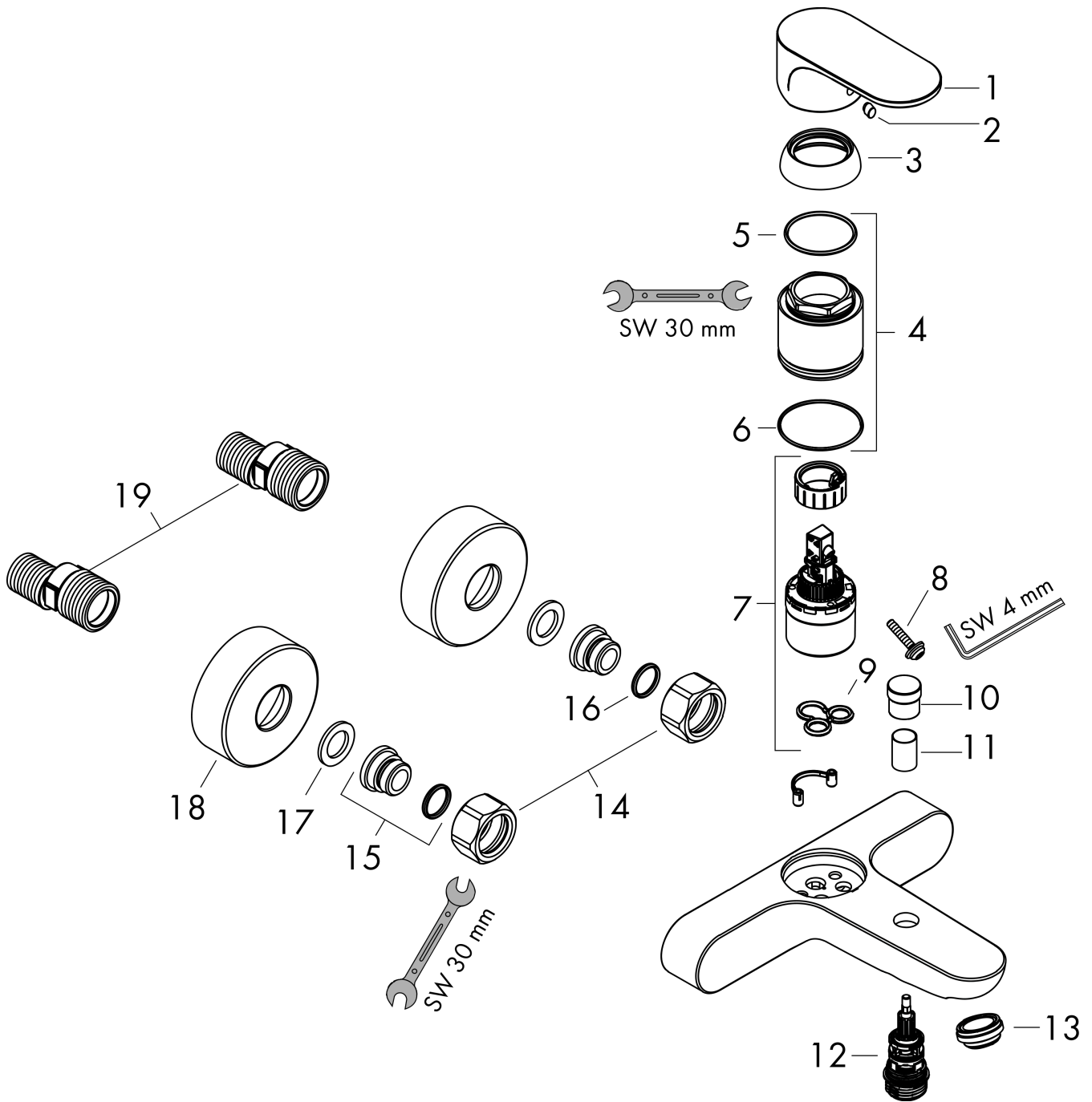


Rebris S
Single lever bath mixer for exposed installation
 Finish: **Chrome** Article Number: **72440007**



Exploded Drawing

Year of production: >06/22



Rebris S
Single lever bath mixer for exposed installation
 Finish: **Chrome** Article Number: **72440007**



Spare part list

Year of production: >06/22

Pos.	Description	Article Number	PC	PU
1	handle	94654000	10	1
2	screw cover	96338000	1	1
3	flange	97406000	6	1
4	nut	97977000	9	1
5	O-Ring 32x2	98193000	1	1
6	O-ring 33x1,5	98164000	1	1
7	cartridge, assy	92730000	11	1
8	locking screw for handle	95140000	2	1
9	seal	95008000	3	1
10	diverter knob	97981000	6	1
11	sleeve	97979000	5	1
12	non return valve	97980000	5	1
13	aerator M24x1 (30 l/min)	94656000	2	1
14	set of nuts	96157000	8	1
15	connecting thread	97220000	5	1
16	O-ring 15x2	98163000	1	1
17	filter packing	96922000	3	1
18	escutcheon Ø 68 mm	96467000	6	1
19	set of S-unions	94140007	10	1