

Pipe trap standard model

Finish: **Chrome** Article Number: **53002000**



Description

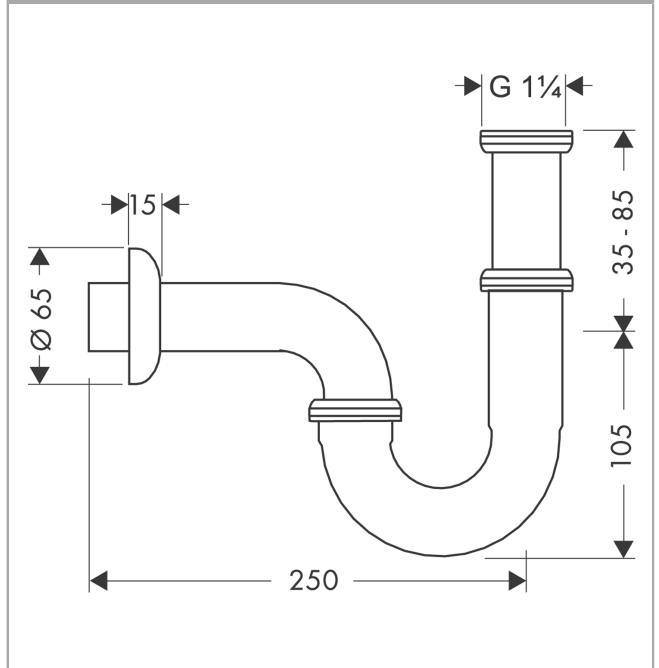
product features

- adjustment distance 35 - 85 mm
- distance to wall 250 mm
- odour trap - backwater height is 50 mm
- connection dimension entry: G 1¼
- third party controlled acc. DIN EN 274-3

Product image



Scale drawing



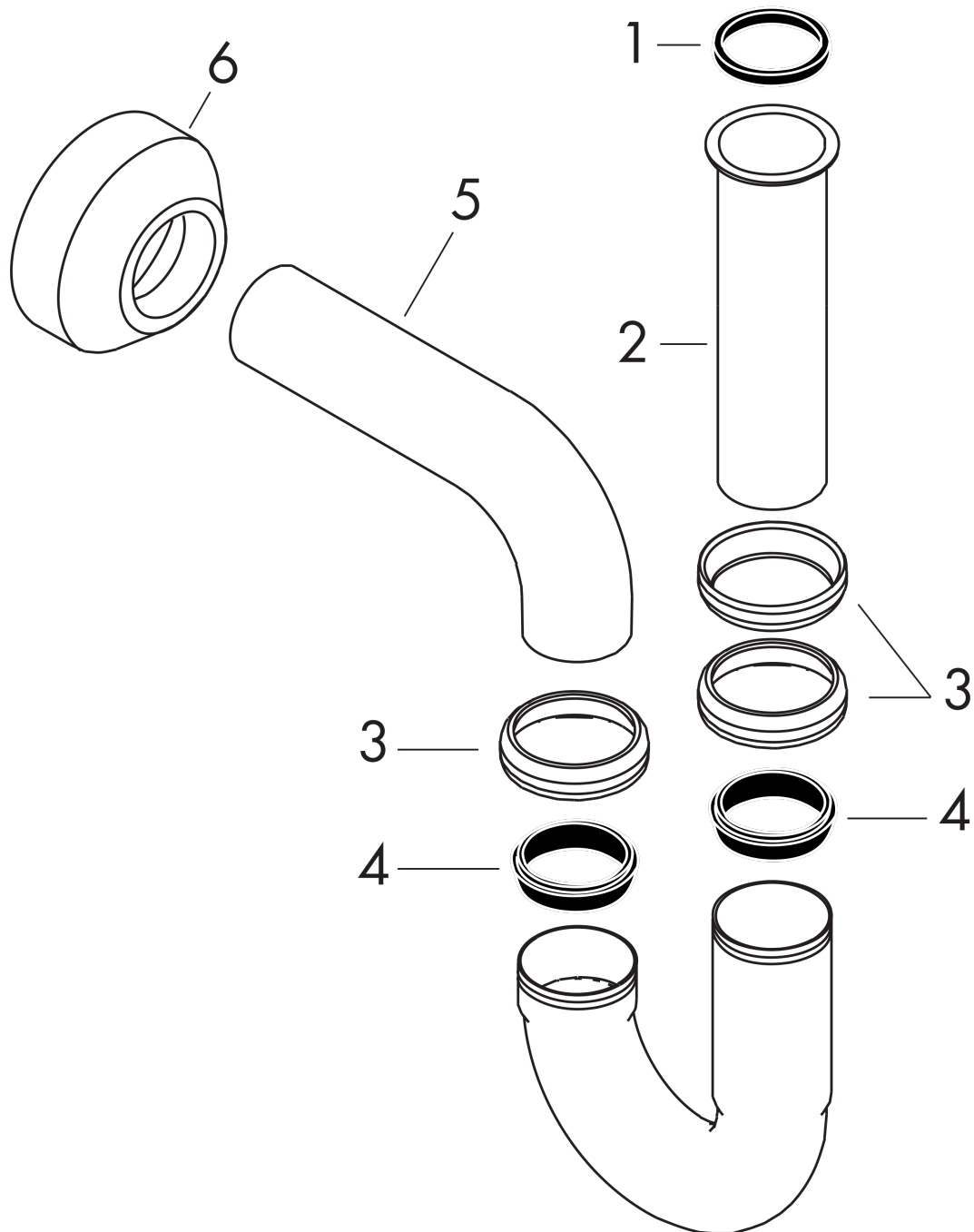
Pipe trap standard model

Finish: **Chrome** Article Number: **53002000**



Exploded Drawing

Year of production: >07/77



Pipe trap standard model

Finish: **Chrome** Article Number: **53002000**



Spare part list

Year of production: >07/77

Pos.	Description	Article Number	Price	PU
1	seal 1¼"	53971000	-	1
2	pipe 1¼" 300 mm	53428000	-	1
3	hand nut 1¼"	53951000	-	1
4	wedge-shaped seal 1¼"	53985000	-	1
5	trap cpl.	53010000	-	1
6	escutcheon Ø 70 mm	53968000	-	1