

Metropol
Basin mixer 100 Select with push-open waste set
 Finish: **Chrome** Article Number: **32570000**

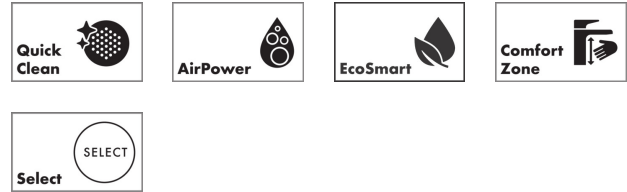


Description

product features

- consists of: Basin mixer, waste set
- ComfortZone: 100
- projection: 157 mm
- spout height: 89 mm
- handle variant: Select
- spray type: normal spray
- maximum flow rate at 3 bar: 5 l/min
- Select cartridge with temperature control
- temperature limitation adjustable
- suitable for continuous flow water heaters
- push-open waste set G 1¼
- material waste set: metal
- connection type: G ¾ hose connections
- connection dimension: DN15
- EU taxonomy: max. 6 l/min - Substantial Contribution (SC) possible
- PA-IX 7297/IO
- DVGW NW-6506CT0588
- ACS 22 ACC LY 319 France, valide jusqu'au 07.06.2027
- WRAS 2305024
- KCW-2012-0427_South Korea_WSW
- Belg 22-221-27_1

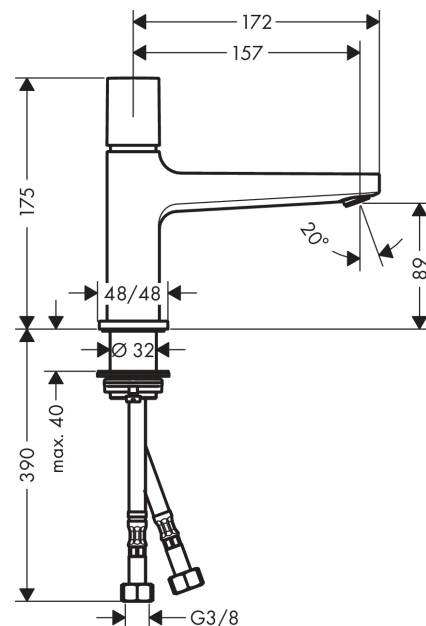
Technology



Product image



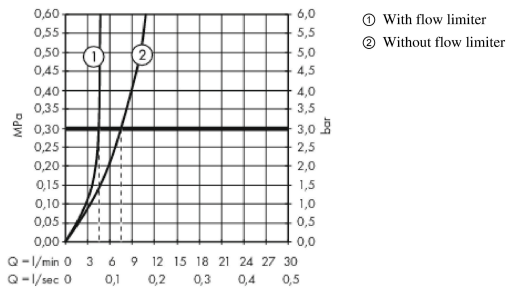
Scale drawing



Metropol
Basin mixer 100 Select with push-open waste set
 Finish: **Chrome** Article Number: **32570000**



Flowchart

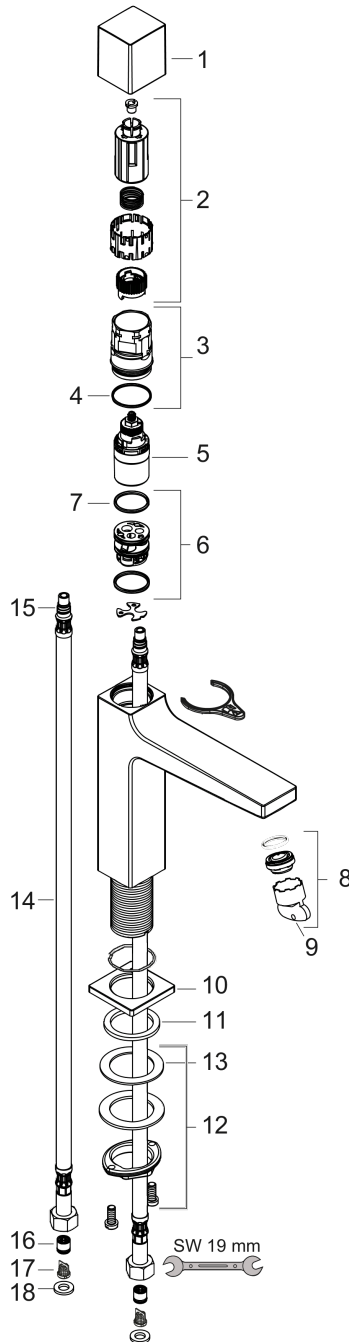


Metropol
Basin mixer 100 Select with push-open waste set
 Finish: **Chrome** Article Number: **32570000**



Exploded Drawing

Year of production: >03/18



Metropol
Basin mixer 100 Select with push-open waste set
 Finish: **Chrome** Article Number: **32570000**



Spare part list

Year of production: >03/18

Pos.	Description	Article Number	PC	PU
1	handle	93070000	12	1
2	adapter for handle	92526000	7	1
3	nut	92528000	11	1
4	O-ring 27x1,5	92527000	4	1
5	cartridge, assy	92529000	14	1
6	adapter for cartridge	98866000	8	1
7	O-ring 23x2	98398000	1	1
8	aerator M24x1 (5 l/min)	92996000	8	1
9	service tool	95661000	2	1
10	escutcheon	93048000	9	1
11	flat seal	98749000	2	1
12	fixing set (Ø 32)	13961000	7	1
13	lever collar	97548000	1	1
14	connection hose 450 mm M8x0,75 G3/8	93405000	9	1
15	O-ring 7x1,5	98422000	1	1
16	non return valve DW 10	96456000	3	1
17	filter	92532000	3	1
18	sealing set	92533000	2	1
a	push-open waste set	50100000	98	1
b	fixation extension 35 mm	13898000	12	1