

Logis

Single lever basin mixer 190 with pop-up waste set

Finish: **Chrome** Article Number: **71090000**



Description

product features

- consists of: single lever basin mixer, waste set
- ComfortZone: 190
- projection: 166 mm
- spout height: 195 mm
- handle variant: lever handle
- spray type: normal spray
- maximum flow rate at 3 bar: 5 l/min
- ceramic cartridge
- temperature limitation adjustable
- suitable for continuous flow water heaters
- pop-up waste set G 1¼
- material waste set: synthetic
- connection type: G ¾ hose connections
- connection dimension: DN15
- EU taxonomy: max. 6 l/min - Substantial Contribution (SC) possible

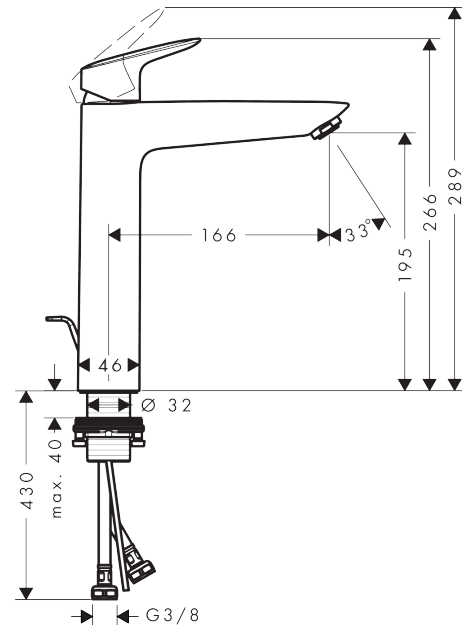
Technology



Product image



Scale drawing



Logis

Single lever basin mixer 190 with pop-up waste set

Finish: **Chrome** Article Number: **71090000**



Flowchart

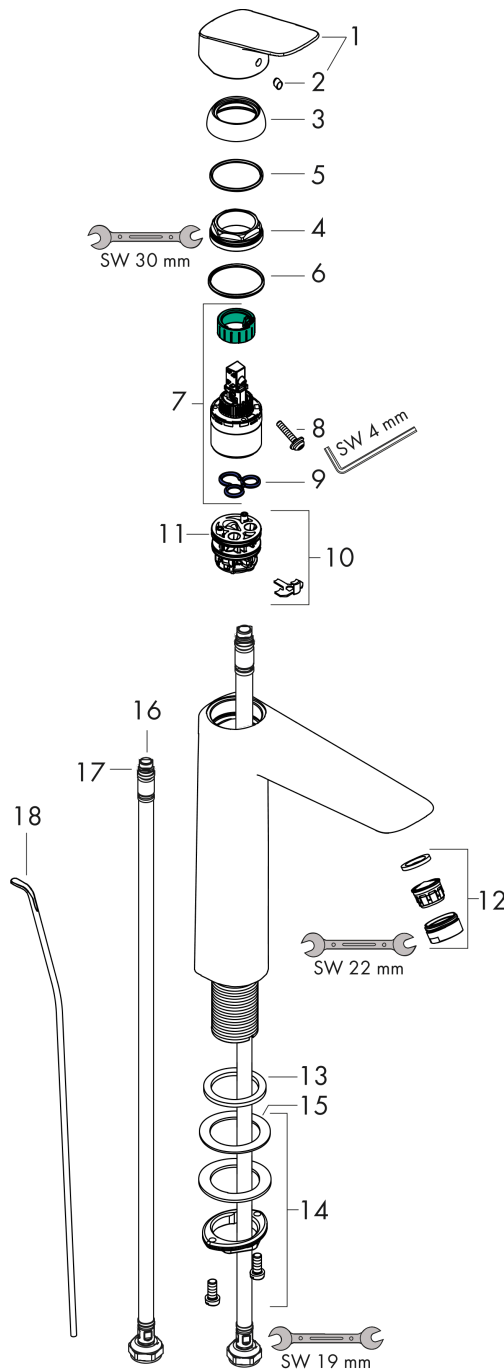


Logis
Single lever basin mixer 190 with pop-up waste set
 Finish: **Chrome** Article Number: **71090000**



Exploded Drawing

Year of production: >05/17



Logis

Single lever basin mixer 190 with pop-up waste set

Finish: **Chrome** Article Number: **71090000**



Spare part list

Year of production: >05/17

Pos.	Description	Article Number	Price	PU
1	handle	92224000	-	1
2	screw cover	96338000	-	1
3	flange	97406000	-	1
4	nut	97209000	-	1
5	O-Ring 32x2	98193000	-	1
6	O-ring 35x2	92604000	-	1
7	cartridge, assy	92730000	-	1
8	locking screw for handle	95140000	-	1
9	seal	95008000	-	1
10	adapter for cartridge	98750000	-	1
11	O-Ring 30x2	98186000	-	1
12	aerator M24x1 (5 l/min)	92372000	-	1
13	flat seal	98749000	-	1
14	fixing set (Ø 32)	13961000	-	1
15	lever collar	97548000	-	1
16	connection hose 600 mm M8x0,75 G3/8	96556000	-	1
17	O-ring 6,6x1,6	93019000	-	1
18	pull rod	96657000	-	1
a	pop up waste	92168000	-	1
b	fixation extension 35 mm	13898000	-	1