

Logis

Single lever basin mixer 210 with swivel spout and pop-up waste set

Finish: **Chrome** Article Number: **71130000**



Description

product features

- consists of: single lever basin mixer, waste set
- ComfortZone: 210
- projection: 154 mm
- spout height: 221 mm
- handle variant: pin handle
- swivel range 120°
- spray type: normal spray
- maximum flow rate at 3 bar: 5 l/min
- ceramic cartridge
- temperature limitation adjustable
- suitable for continuous flow water heaters
- pop-up waste set G 1¼
- material waste set: synthetic
- connection type: G ¾ hose connections
- connection dimension: DN15
- handle position on the side: bottom-side at the base body (not suitable for wash bowls)
- EU taxonomy: max. 6 l/min - Substantial Contribution (SC) possible

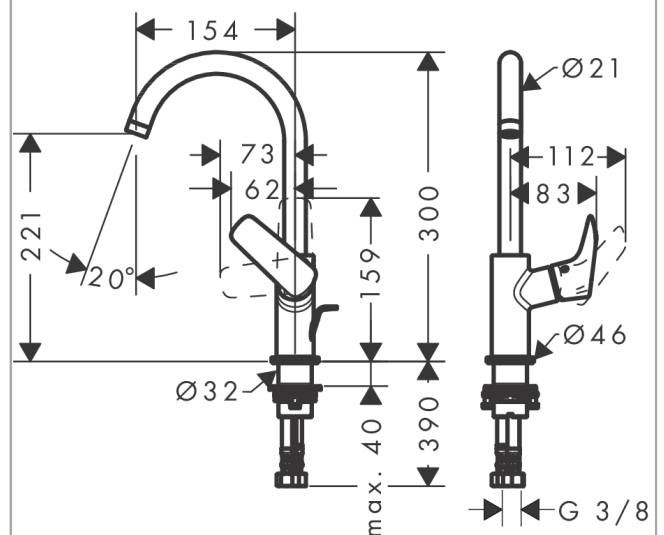
Technology



Product image



Scale drawing



Logis

Single lever basin mixer 210 with swivel spout and pop-up waste set

Finish: **Chrome** Article Number: **71130000**



Flowchart



Logis

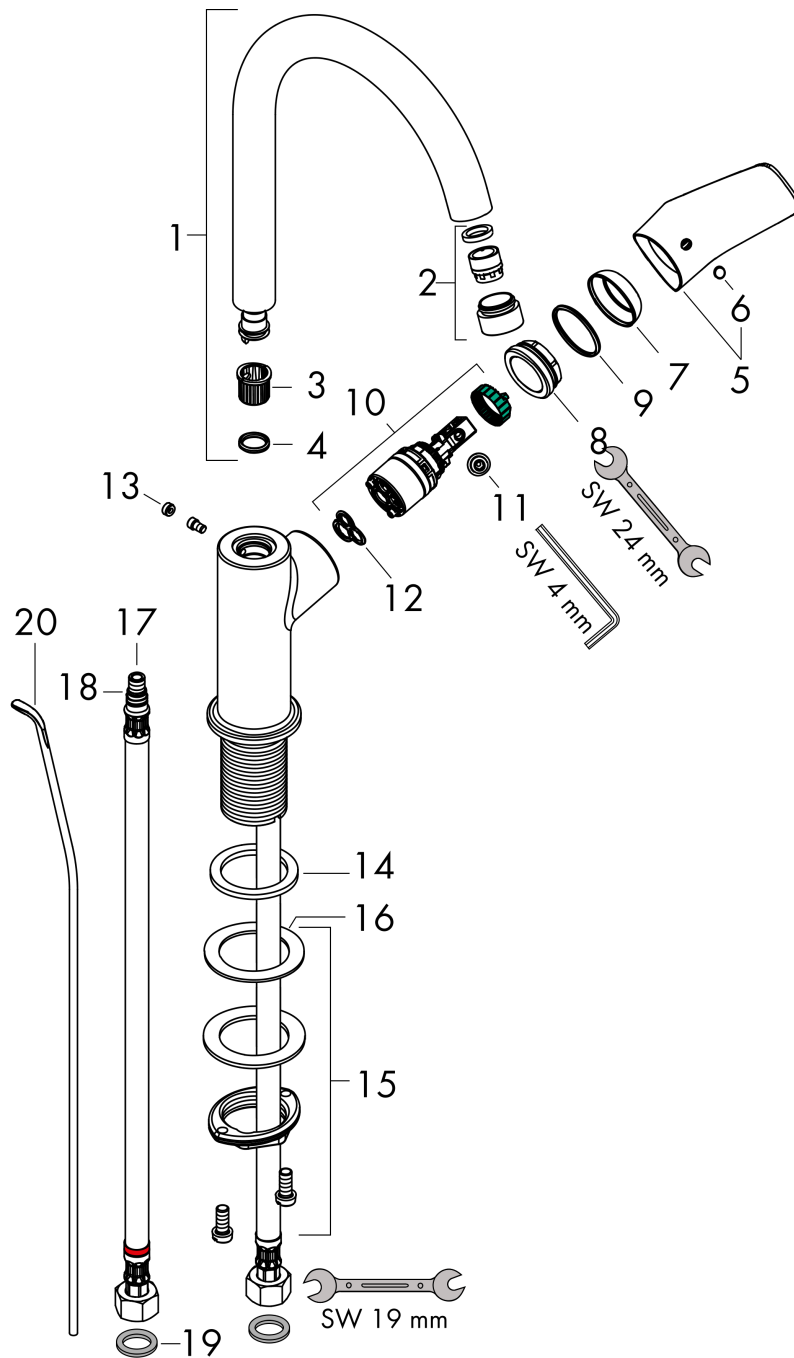
Single lever basin mixer 210 with swivel spout and pop-up waste set

Finish: **Chrome** Article Number: **71130000**



Exploded Drawing

Year of production: >04/14



Logis

Single lever basin mixer 210 with swivel spout and pop-up waste set

Finish: **Chrome** Article Number: **71130000**



Spare part list

Year of production: >04/14

Pos.	Description	Article Number	Price	PU
1	spout cpl.	95494000	-	1
2	aerator M18x1 (5 l/min)	95387000	-	1
3	lever collar	92849000	-	1
4	O-ring 11x2	98127000	-	1
5	handle	92245000	-	1
6	screw cover	96338000	-	1
7	flange	95493000	-	1
8	nut	95178000	-	1
9	O-ring 24x2	98388000	-	1
10	cartridge, assy	97685000	-	1
11	locking screw for handle	95140000	-	1
12	seal	98865000	-	1
13	screw cover	95181000	-	1
14	flat seal	98749000	-	1
15	fixing set (Ø 32)	13961000	-	1
16	lever collar	97548000	-	1
17	connection hose 450 mm M8x0,75 G3/8	97206000	-	1
18	O-ring 7x1,5	98422000	-	1
19	sealing set	95581000	-	1
20	pull rod	96657000	-	1
a	pop up waste	92168000	-	1
b	fixation extension 35 mm	13898000	-	1