

Logis

2-handle basin mixer 150 with pop-up waste set

Finish: **Chrome** Article Number: **71222000**



Description

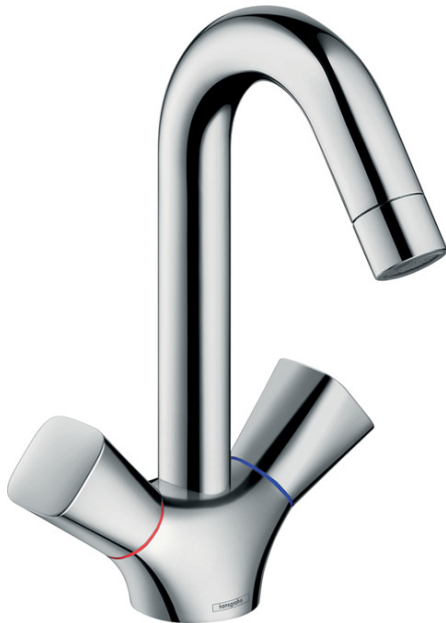
product features

- consists of: 2-handle basin mixer, waste set
- ComfortZone: 150
- projection: 145 mm
- spout height: 147 mm
- handle variant: cylinder handle
- swivel range 120°
- spray type: normal spray
- maximum flow rate at 3 bar: 5 l/min
- ceramic valves hot/cold 90°
- suitable for continuous flow water heaters
- pop-up waste set G 1¼
- material waste set: synthetic
- connection type: G ¾ hose connections
- connection dimension: DN15
- EU taxonomy: max. 6 l/min - Substantial Contribution (SC) possible

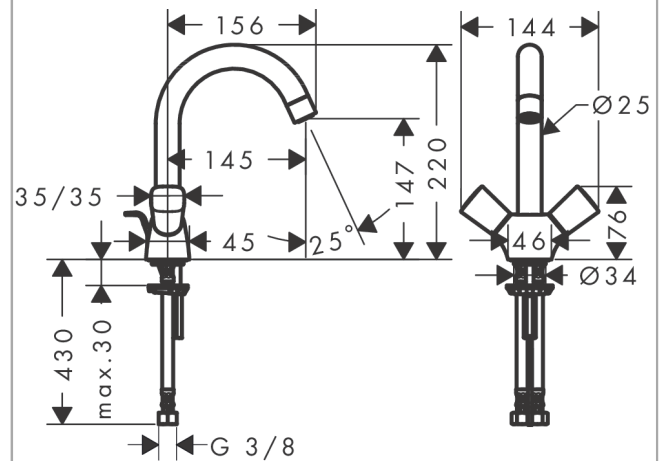
Technology



Product image



Scale drawing



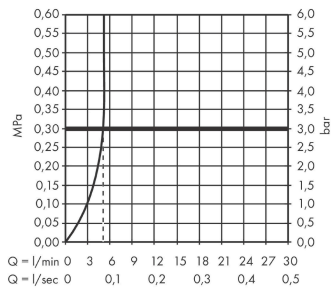
Logis

2-handle basin mixer 150 with pop-up waste set

Finish: **Chrome** Article Number: **71222000**



Flowchart

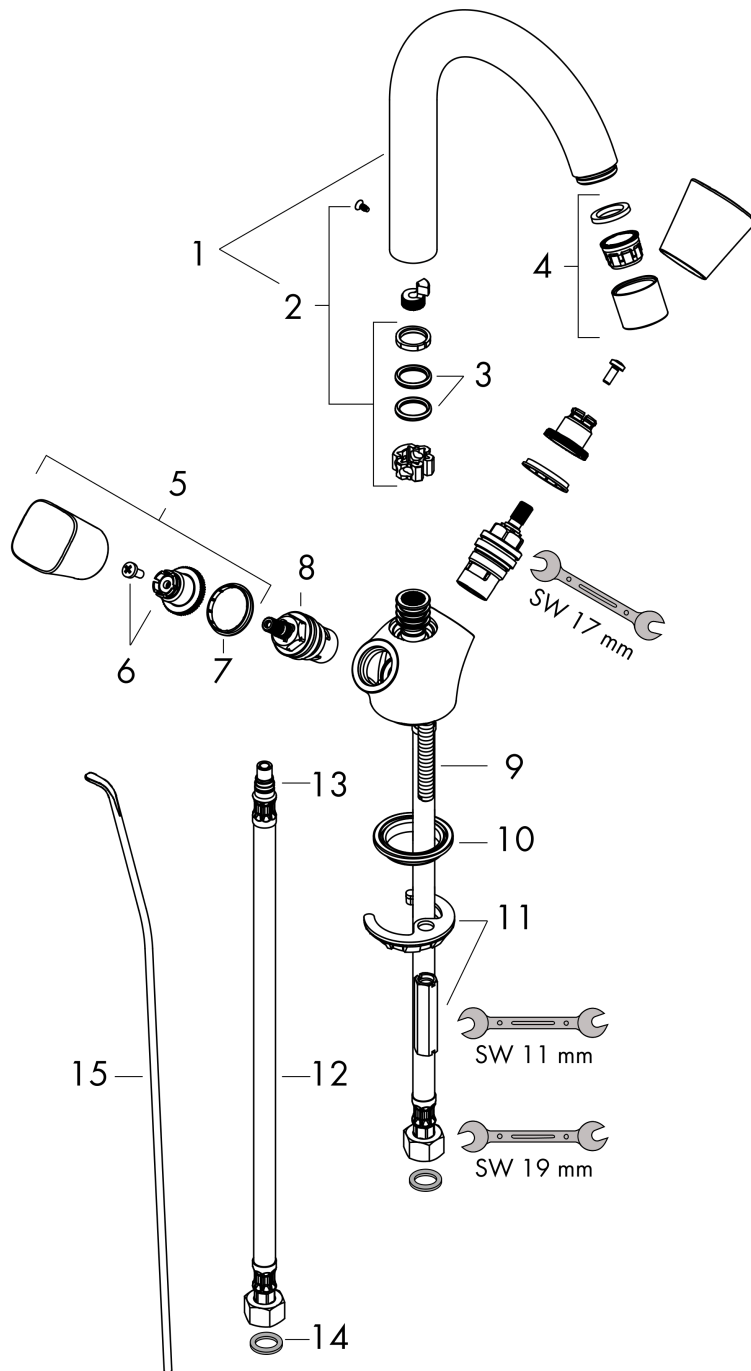


Logis
2-handle basin mixer 150 with pop-up waste set
 Finish: **Chrome** Article Number: **71222000**



Exploded Drawing

Year of production: >01/15



Logis

2-handle basin mixer 150 with pop-up waste set

Finish: **Chrome** Article Number: **71222000**



Spare part list

Year of production: >01/15

Pos.	Description	Article Number	Price	PU
1	spout cpl.	96521000	-	1
2	sealing set	92646000	-	1
3	O-Ring 14x2,5	98189000	-	1
4	aerator M22x1 (5 l/min)	92376000	-	1
5	handle	92221000	-	1
6	handle fixing set	94184000	-	1
7	set of color-rings cold / hot water	92225000	-	1
8	shut off unit right closing	94009000	-	1
9	screw M8 x 68	97736000	-	1
10	seal Ø 42	98722000	-	1
11	fixing set	96016000	-	1
12	connection hose 450 mm M8x0,75 G3/8	97206000	-	1
13	O-ring 7x1,5	98422000	-	1
14	sealing set	95581000	-	1
15	pull rod	96657000	-	1
a	pop up waste	92168000	-	1