

Vernis Blend

Single lever basin mixer 100 with isolated water conduction and pop-up waste set

Finish: **Chrome** Article Number: **71571007**



Description

product features

- consists of: single lever basin mixer, waste set
- ComfortZone: 100
- projection: 108 mm
- spout height: 88 mm
- handle variant: lever handle
- spray type: normal spray
- maximum flow rate at 3 bar: 6 l/min
- ceramic cartridge
- with isolated water conduction - without contact with nickel and lead
- suitable for continuous flow water heaters
- pop-up waste set G 1¼
- material waste set: synthetic
- connection type: G ½ connections
- connection dimension: DN15

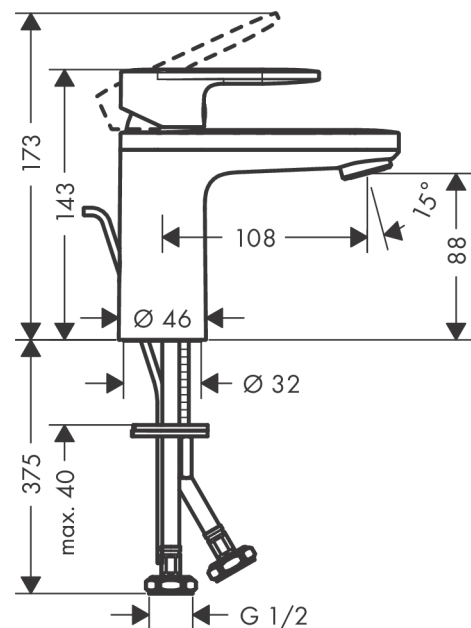
Technology



Product image



Scale drawing



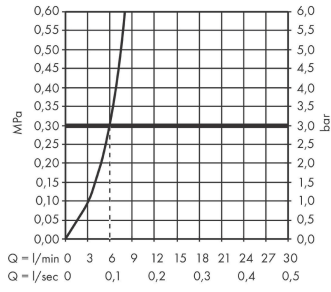
Vernis Blend

Single lever basin mixer 100 with isolated water conduction and pop-up waste set

Finish: **Chrome** Article Number: **71571007**



Flowchart



Vernis Blend

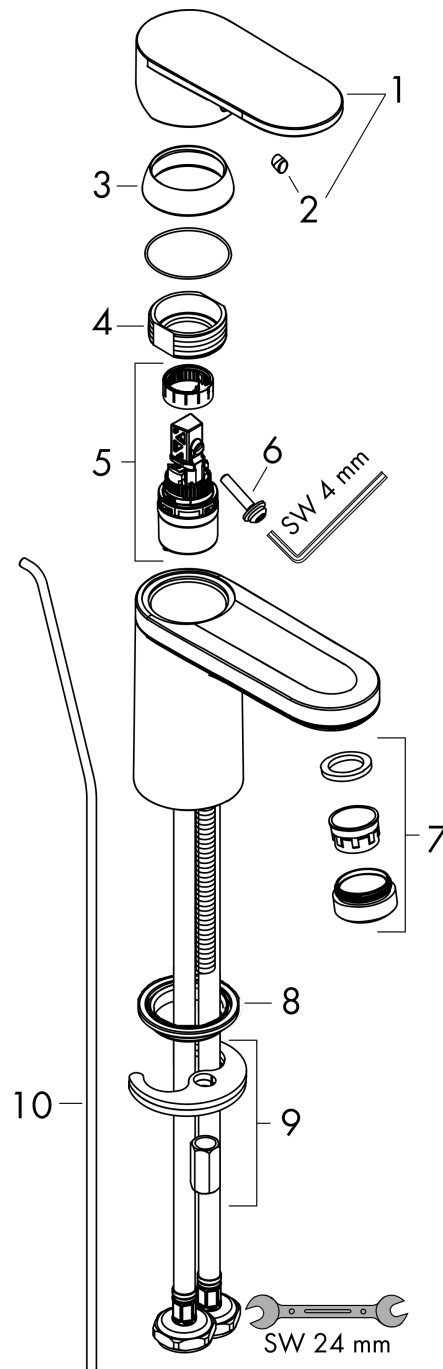
Single lever basin mixer 100 with isolated water conduction and pop-up waste set

Finish: **Chrome** Article Number: **71571007**



Exploded Drawing

Year of production: >04/20



Vernis Blend

Single lever basin mixer 100 with isolated water conduction and pop-up waste set

Finish: **Chrome** Article Number: **71571007**



Spare part list

Year of production: >04/20

Pos.	Description	Article Number	PC	PU
1	handle	93678007	0	1
2	screw cover	96338000	1	1
3	flange	93680000	3	1
4	nut	93686000	7	1
5	cartridge, assy	97685000	11	1
6	locking screw for handle	95140000	2	1
7	aerator swivelling M24x1 (7 l/min)	94443000	0	1
8	seal Ø 42	98722000	2	1
9	fixing set	96016000	8	1
10	pull rod	93683000	4	1
a	pop up waste	94159007	0	1