

Talis E
Single lever basin mixer 110 with pop-up waste set
 Finish: **Chrome** Article Number: **71710007**



Description

product features

- ComfortZone: 110
- projection: 112 mm
- spout height: 104 mm
- handle variant: lever handle
- spray type: normal spray
- maximum flow rate at 3 bar: 5 l/min
- ceramic cartridge
- temperature limitation adjustable
- suitable for continuous flow water heaters
- pop-up waste set G 1¼
- material waste set: metal
- connection type: G ½ connections
- connection dimension: DN15

Technology



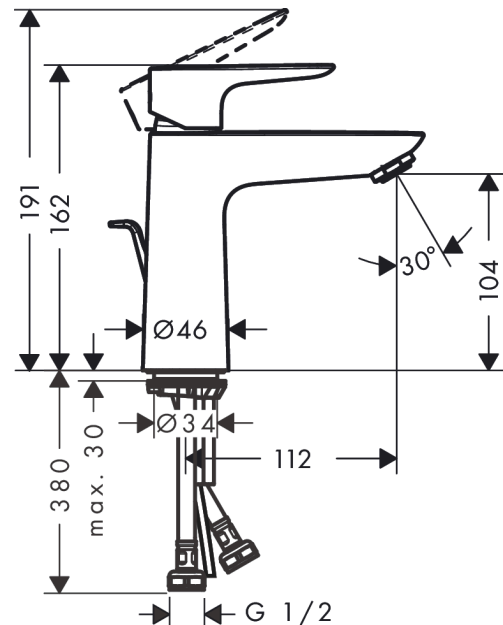
Certificates / Sustainability



Product image



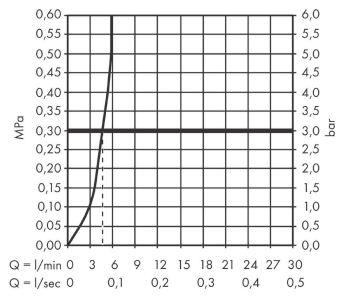
Scale drawing



Talis E
Single lever basin mixer 110 with pop-up waste set
 Finish: **Chrome** Article Number: **71710007**



Flowchart

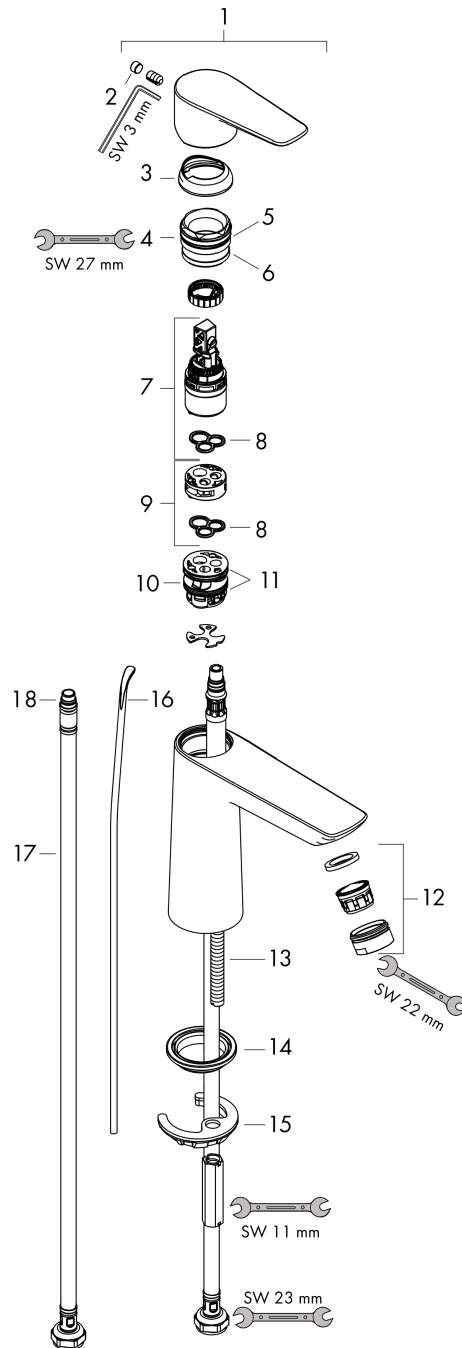


Talis E
Single lever basin mixer 110 with pop-up waste set
 Finish: **Chrome** Article Number: **71710007**



Exploded Drawing

Year of production: >09/19



Talis E
Single lever basin mixer 110 with pop-up waste set
 Finish: **Chrome** Article Number: **71710007**



Spare part list

Year of production: >09/19

Pos.	Description	Article Number	PC	PU
1	handle	92687000	10	1
2	screw cover	95704000	1	1
3	flange	92625000	8	1
4	nut	92689000	7	1
5	O-ring 25x1,5	98146000	1	1
6	O-ring 27x1,5	92527000	4	1
7	cartridge, assy	97685000	11	1
8	seal	98865000	8	1
9	adapter for cartridge	92628000	6	1
10	adapter for cartridge	98866000	8	1
11	O-ring 23x2	98398000	1	1
12	aerator M24x1 (5 l/min)	13185000	98	1
13	screw M8 x 68	97736000	2	1
14	seal Ø 42	98722000	2	1
15	fixing set	96016000	8	1
16	pull rod	96657000	4	1
17	connection hose 450 mm M8x0,75 G½	97443000	6	1
18	O-ring 6,6x1,6	93019000	1	1
a	pop up waste	94139007	99	1