

Talis E
Single lever basin mixer 150 with pop-up waste set
 Finish: **Chrome** Article Number: **71754000**



Description

product features

- consists of: single lever basin mixer, waste set
- ComfortZone: 150
- projection: 141 mm
- spout height: 133 mm
- handle variant: lever handle
- spray type: normal spray
- maximum flow rate at 3 bar: 5 l/min
- ceramic cartridge
- temperature limitation adjustable
- suitable for continuous flow water heaters
- pop-up waste set G 1¼
- material waste set: metal
- connection type: G ¾ hose connections
- connection dimension: DN15
- EU taxonomy: max. 6 l/min - Substantial Contribution (SC) possible

Technology



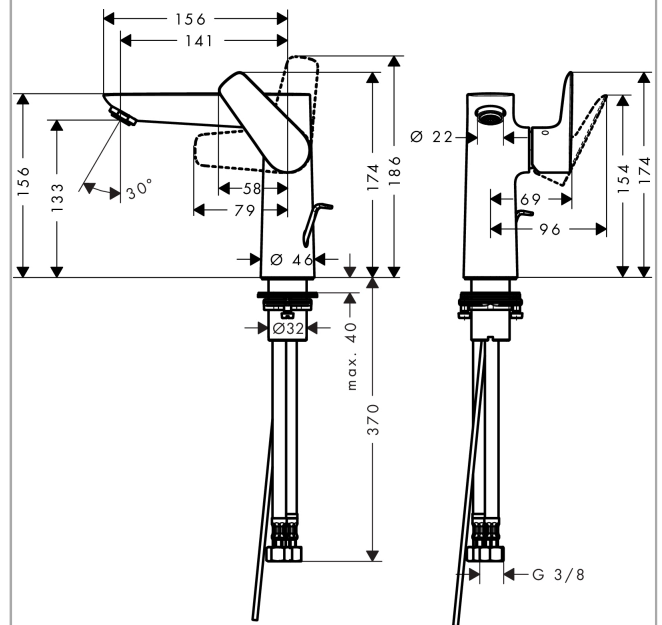
Design awards



Product image



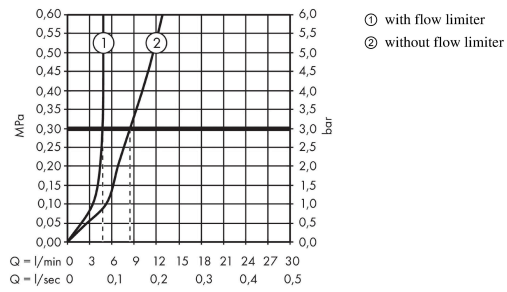
Scale drawing



Talis E
Single lever basin mixer 150 with pop-up waste set
 Finish: **Chrome** Article Number: **71754000**



Flowchart

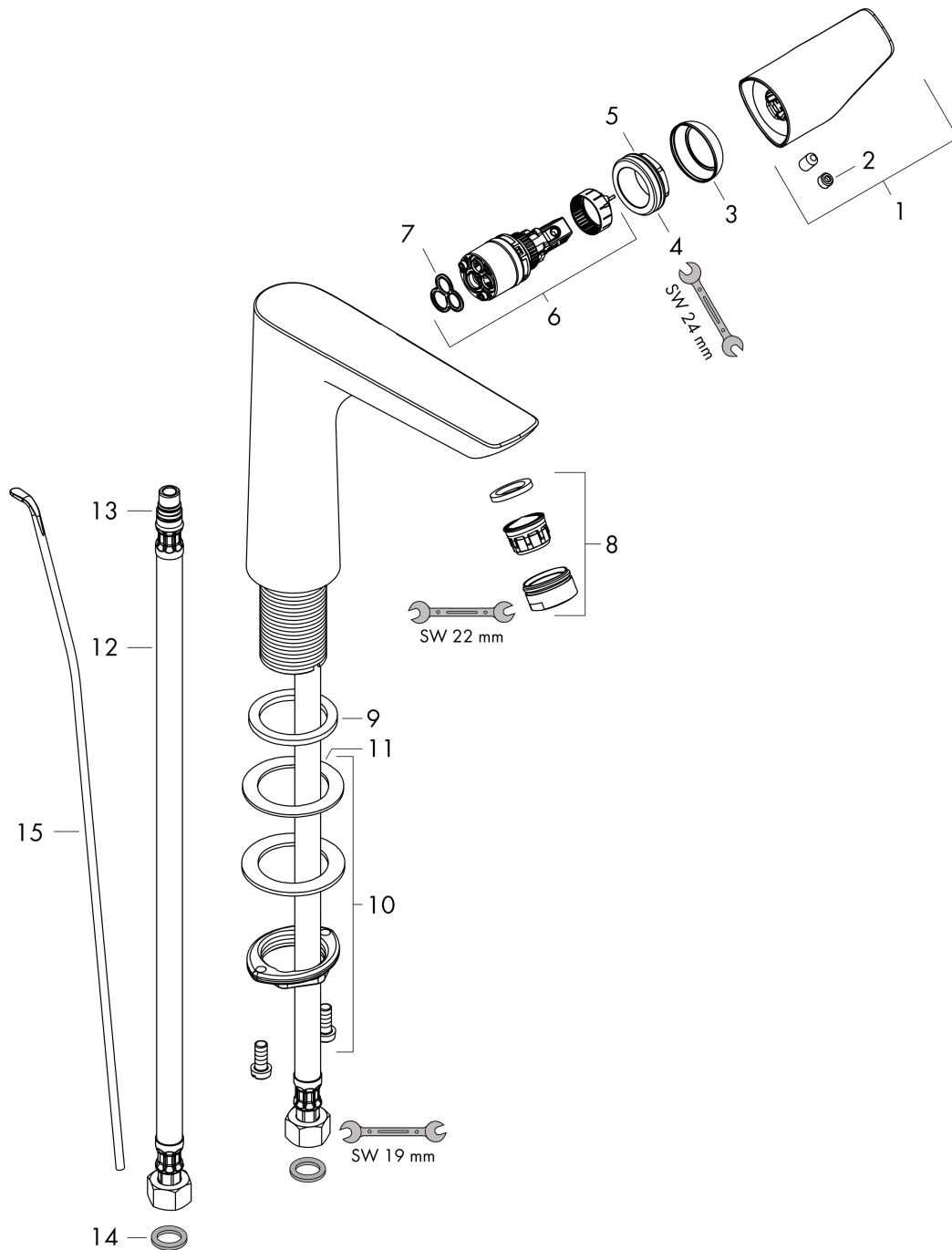


Talis E
Single lever basin mixer 150 with pop-up waste set
 Finish: **Chrome** Article Number: **71754000**



Exploded Drawing

Year of production: >05/16



Talis E
Single lever basin mixer 150 with pop-up waste set
 Finish: **Chrome** Article Number: **71754000**



Spare part list

Year of production: >05/16

Pos.	Description	Article Number	Price	PU
1	handle	92777000	-	1
2	screw cover	95704000	-	1
3	flange	95493000	-	1
4	nut	95178000	-	1
5	O-ring 24x2	98388000	-	1
6	cartridge, assy	97685000	-	1
7	seal	98865000	-	1
8	aerator M24x1 (5 l/min)	13185000	-	1
9	flat seal	98749000	-	1
10	fixing set (Ø 32)	13961000	-	1
11	lever collar	97548000	-	1
12	connection hose 450 mm M10x1 G3/8	96507000	-	1
13	O-ring 8x1,75	97827000	-	1
14	sealing set	95581000	-	1
15	pull rod	96657000	-	1
a	pop up waste	94139000	-	1
b	fixation extension 35 mm	13898000	-	1