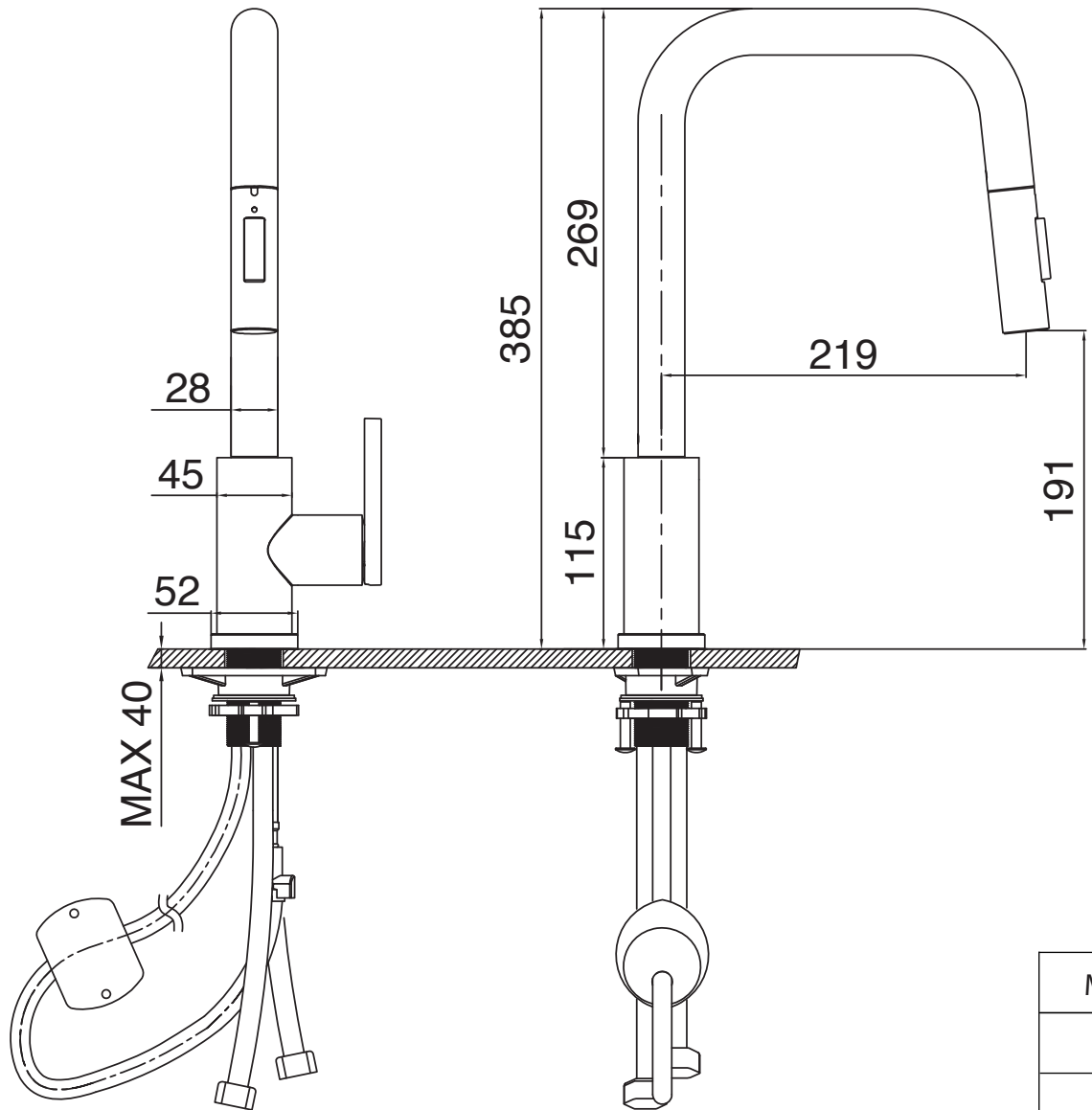


Klüger



MMC INTERNATIONAL COMPANY LIMITED	
MODEL	KLF0011C
UNIT	MM
MATERIAL	STAINLESS STEEL