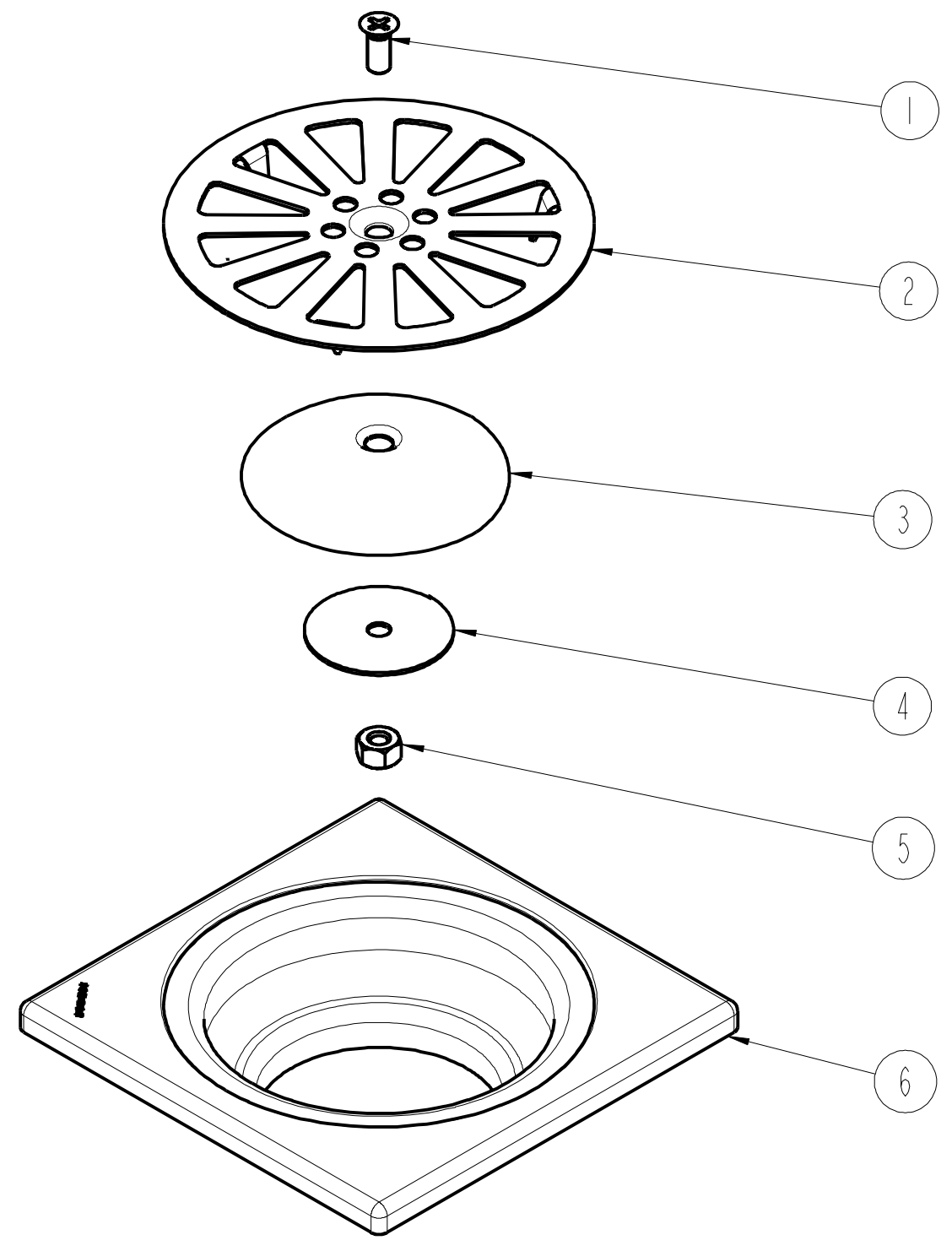


NOTES:  
 1. COPLY WITH GB/T 27710-2011.  
 2. ALL DIMENSIONS ARE IN MILLIMETERS.  
 3. INCLUDE PACKAGING/ INSTRUCTION SHEET/LABEL .



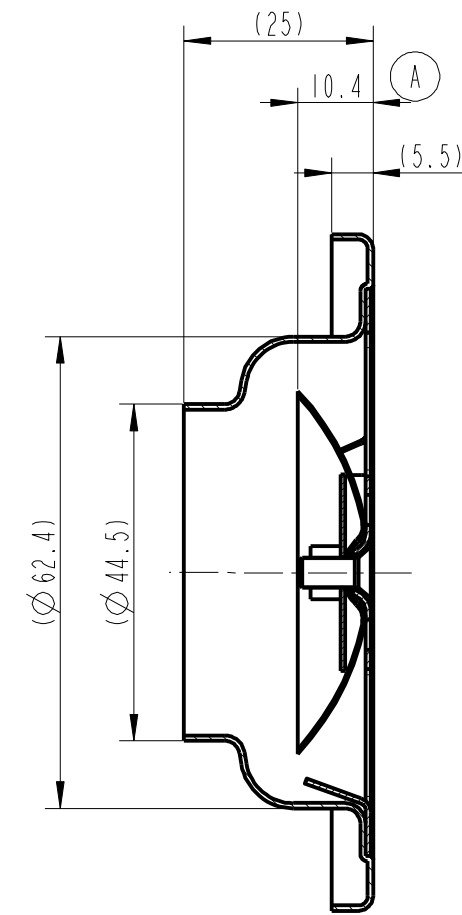
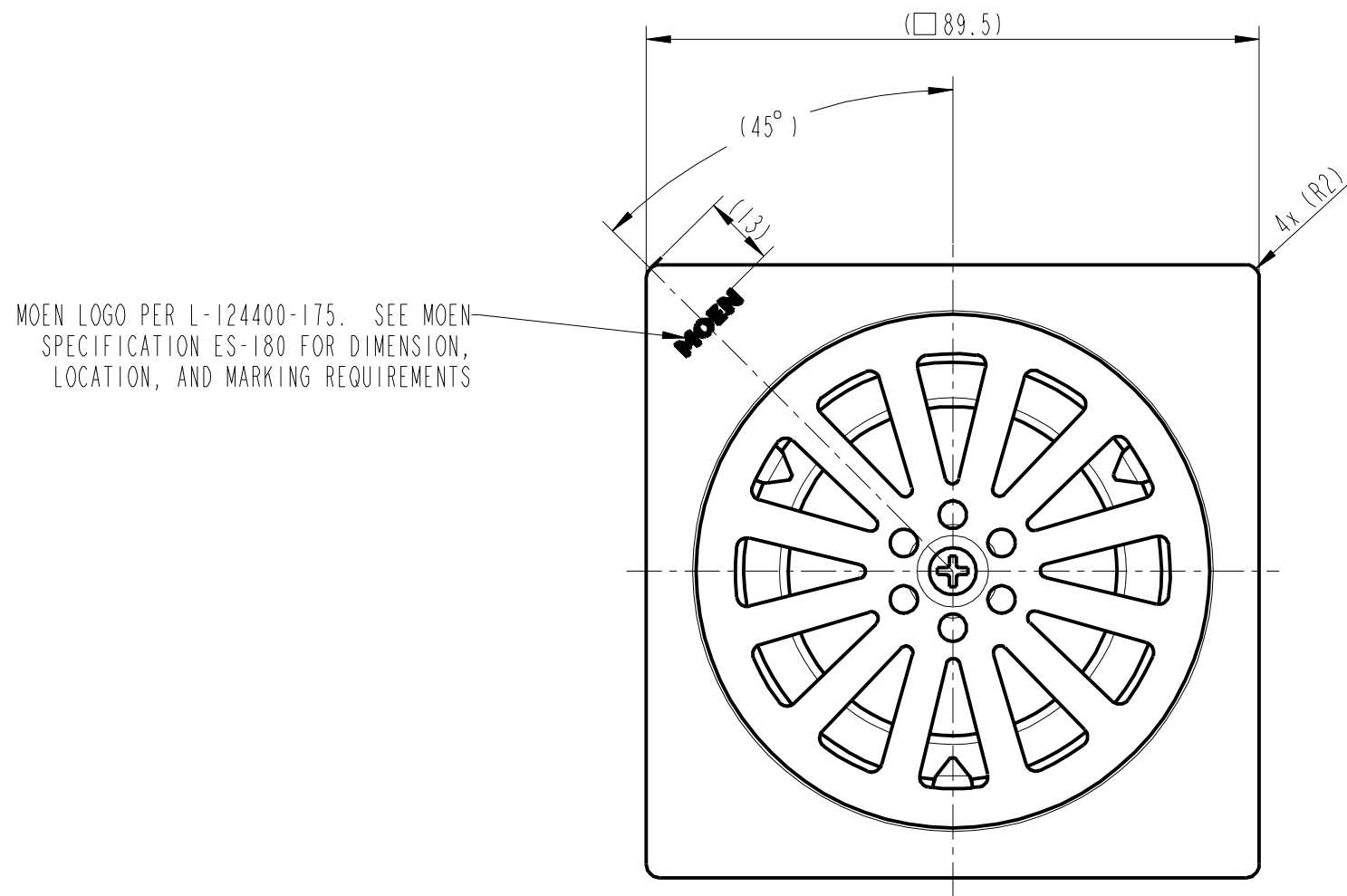
ITEM	PART NAME	MATERIAL	QTY	FINISH	REMARK
6	DRAIN BODY	S304	1		
5	NUT	1Cr18Ni9Ti	1		
4	WASHER	1Cr18Ni9Ti	1		
3	DRAIN COVER	S430	1		
2	ESCUTCHEON	SUS304	1		T=1.5mm
1	SCREW	1Cr18Ni9Ti			

REV.	ECM NO.	BY	REV.	ECM NO.	BY	X PLANT STATUS	d_xplt_status
			A	5--147511	GWU		
			-	5--137877	TW		
REVISIONS			REVISIONS			PROJECT NUMBER	project_number

"This document is the exclusive property of Moen Incorporated, and may not be reproduced, nor may the information contained therein or derivable therefrom be used in any manner except by written permission of Moen Incorporated. The proprietary rights to the aforesaid information, both of a patentable and unpatentable nature, are expressly reserved to Moen Incorporated."

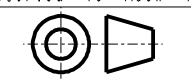
**SHR DRAIN**

<b>UNITS METRIC [ ENGLISH ]</b>	<b>DIMENSION CLASSIFICATION</b> ▲ CRITICAL ▲ MAJOR	<b>MOEN</b>
DRAWN BY TONY WU		APPROVED HANK YI
DATE 11-Sep-12	SCALE 2 3:2	DRAWING NO. SKU 3928



"This document is the exclusive property of Moen Incorporated, and may not be reproduced, nor may the information contained therein or derivable therefrom be used in any manner except by written permission of Moen Incorporated. The proprietary rights to the aforesaid information, both of a patentable and unpatentable nature, are expressly reserved to Moen Incorporated."

VALID ECM NUMBER	50000047511
ACTUAL WEIGHT-grs	0.000
EST.WEIGHT-gr[lb]	0.000[0.000]
EST.VOLUME-cm <sup>3</sup> [in <sup>3</sup> ]	0.000[0.000]
EST.SURF-AREA-mm <sup>2</sup> [in <sup>2</sup> ]	surf_area[in_surf_area]
X PLANT STATUS	d_xplt_status
PROJECT NUMBER	project_number



DATE  
11-Sep-12

<b>SHR DRAIN</b>			
<b>UNITS METRIC [ ENGLISH ]</b>	<b>DIMENSION CLASSIFICATION</b> ▲ CRITICAL ▲ MAJOR	<b>MOEN</b>	
DRAWN BY TONY WU		APPROVED HANK YI	
SCALE 3:2	2	DRAWING NO. SKU 3928	