

DESCRIPTION

- Metal construction with a chrome finish

OPERATION

- Lever style handle
- Pull-on / Push-off
- Temperature controlled through 110 degree arc of handle travel

FLOW

- Flowrate is 0.33L/s minimum under 0.3Mpa

CARTRIDGE

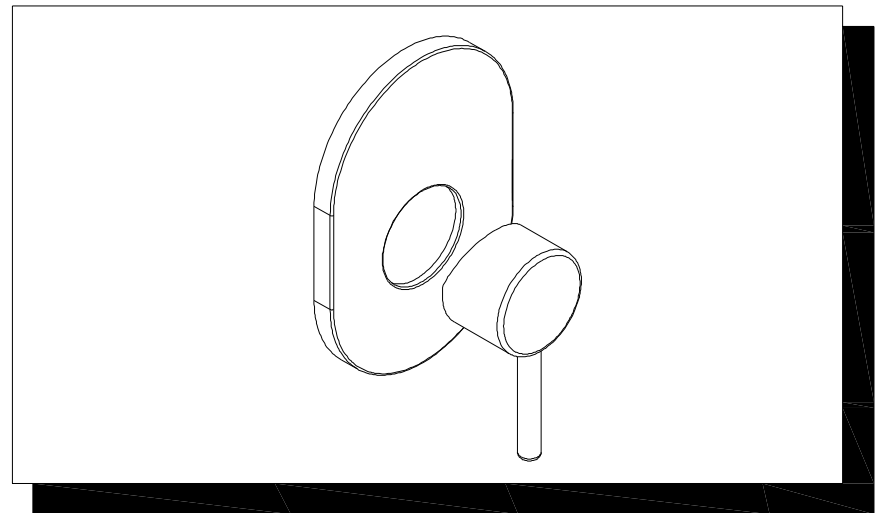
- Ceramic 35mm cartridge design
- Nonmetallic / nonferrous and ceramic material

STANDARD

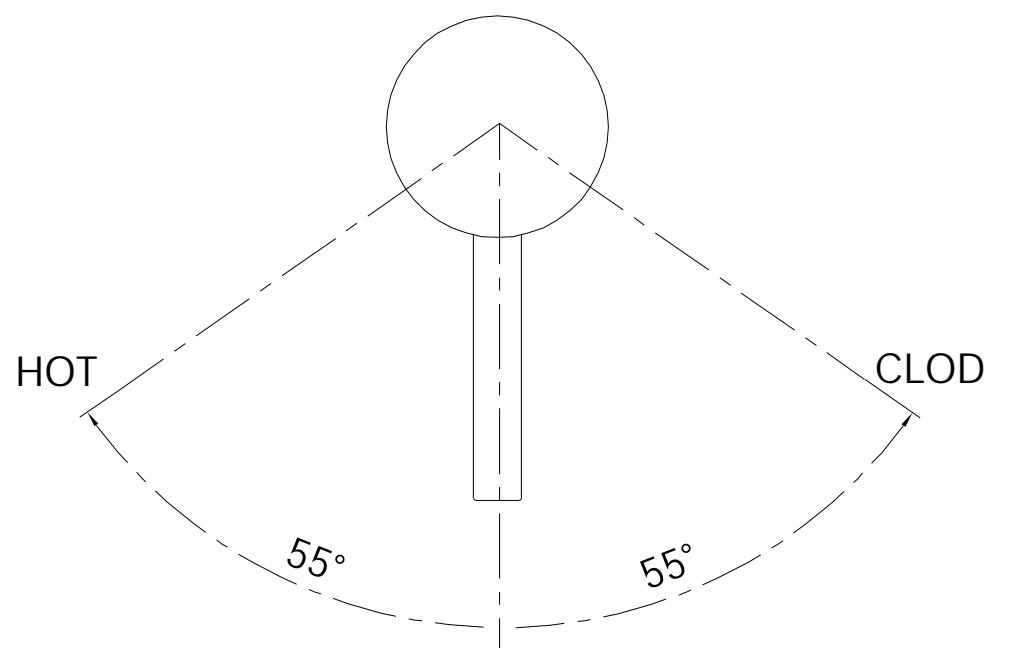
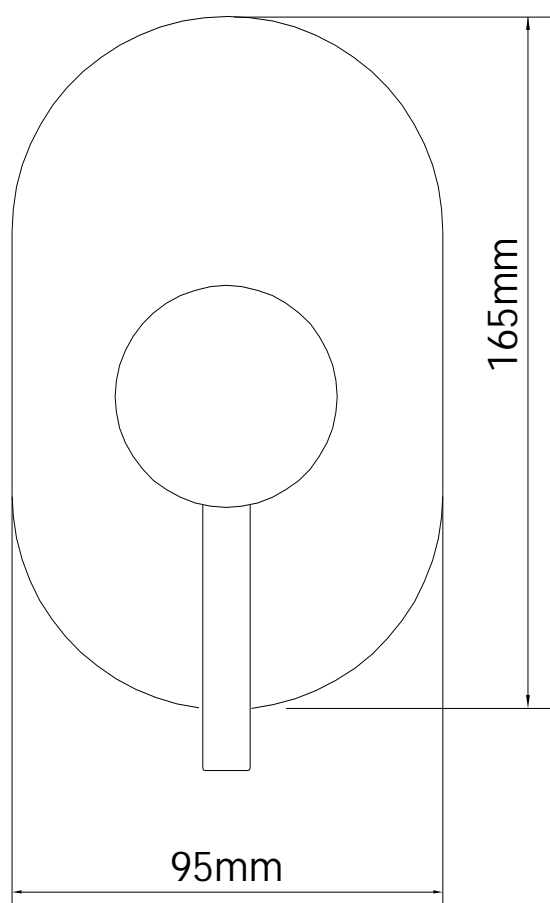
- Designed to meet GB standard

WARRANTY

- 5 years limited warranty against leaks and drips



CHARMANT
Single handle in wall trim kit
MODEL: T2085



CRITICAL DIMENSION
(DO NOT SCALE)