

DESCRIPTION

- Metal construction with a chrome finish
- G1/2 inlet connections

OPERATION

- Knob style handle
- Anti-clockwise-on / Clockwise-off
- Single Cold

FLOW

- Flowrate is 0.33L/s minimum under 0.3Mpa

CARTRIDGE

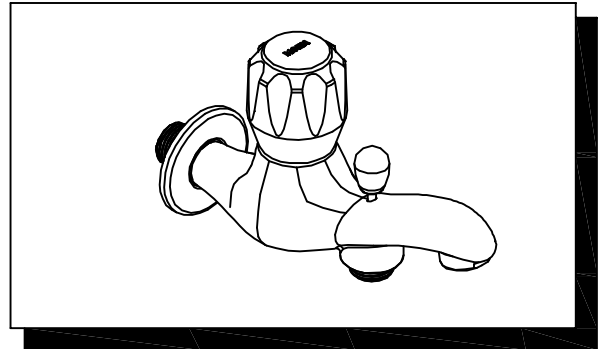
- Ceramic 25mm cartridge design
- Nonmetallic / nonferrous and ceramic material

STANDARD

- Designed to meet GB standard and Customer require)

WARRANTY

- 5 years limited warranty against leaks and drips

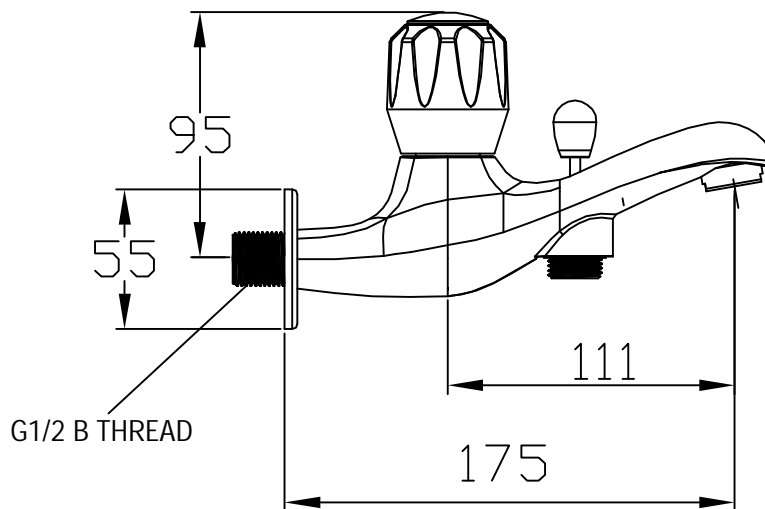


COLD TAP

Wall Mount Single-Handle Tub/Shower Faucet
(Without shower Head & Hose)

Models:2026V

NOTE:THIS FAUCET IS DESIGNED TO BE
INSTALLED THRU 35mm MIN. DIA. HOLE



CRITICAL DIMENSION

(DO NOT SCALE)