



Specifications

Buy it for looks. Buy it for life.®

DESCRIPTION

- Metal construction with chrome plated finish
- G1/2 inlet connections
- Includes single function hand-held shower, wall bracket and 175cm long shower hose

OPERATION

- Lever style handle
- Pull-on / Push-off
- Temperature controlled by 100° arc of handle travel

FLOW

- Flowrate is 0.33L/s minimum under 0.3MPa

CARTRIDGE

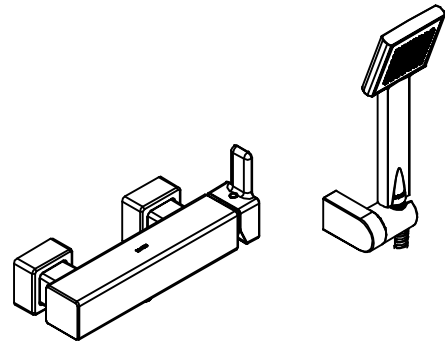
- Ceramic 35mm cartridge design
- Nonmetallic / nonferrous and ceramic material
- Adjustable temperature limit stop

STANDARD

- Complies with GB 18145 - 2003

WARRANTY

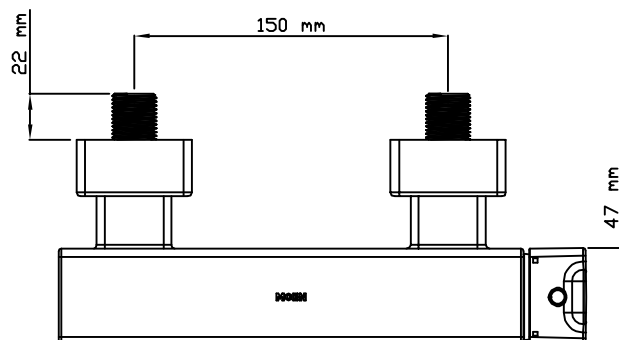
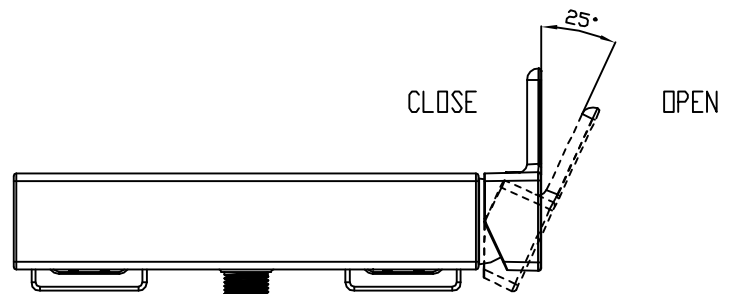
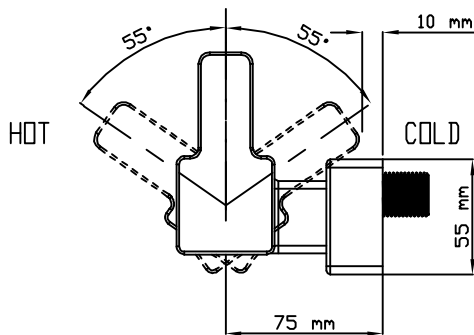
- 5 years limited warranty against leaks and drips



90 Degree™

Single-Handle Wall-Mount Shower Only

Model: 2271



CRITICAL DIMENSIONS

(DO NOT SCALE)