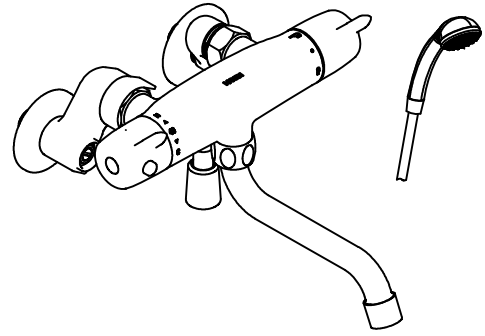


## THERMOSTATIC WALL-MOUNT TUB/SHOWER FAUCET MODEL JP58232, JP58232C



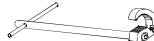
### HELPFUL TOOLS



SAFETY GLASSES



TEFLON TAPE



BASIN WRENCH



PLIERS



SCREWDRIVER



FLASHLIGHT



ADJUSTABLE WRENCH



PLUMBER'S PUTTY

## ENGLISH

### CAUTION:

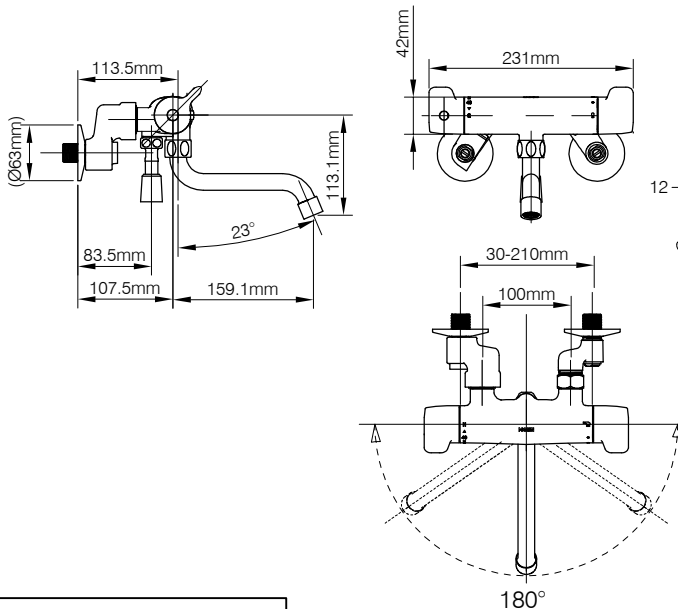
Always turn water OFF before removing existing or disassembling the faucet. Open faucet handles to relieve water pressure and insure that complete water shut-off has been accomplished.

1. Thank you for using our high quality products. The product has been passed the functionality test before ex-factory, please do not dismantle by yourself at will.
2. Please ensure there are no hidden service pipes and cables where you intend to drill.
3. Please ensure line trash are cleared away from the inside service pipes so to avoid any blocking for the quality of water spray.
4. Please be careful of your safety while drilling and installing.

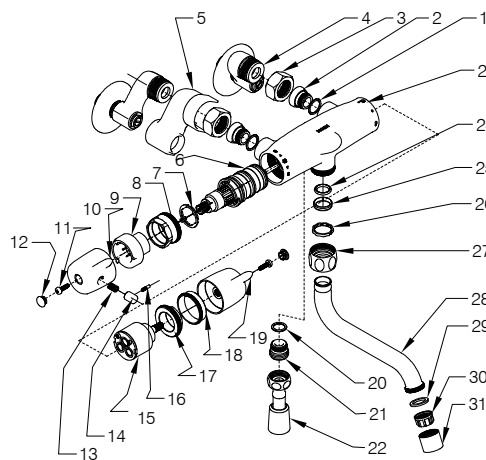
We reserve the rights to alter the structure of the product without any notice.

<p>①</p>	<p>②</p> <p>Water supply Requirement:</p> <ol style="list-style-type: none"> <li>1. The ideal working pressure: 0.1-0.5Mpa</li> <li>2. Cold water supply temperature: 4-29° C</li> <li>Hot water supply temperature: 55-85° (55° C-65° C is suggested)</li> </ol>	<p>③</p>
<p>④</p> <p>-Insert each of elbow 20 into hole of escutcheon 21.</p> <p>-Apply teflon tape to the end with thread of each inlet elbows (20) and thread inlet elbows into supply lines tightly. Use enough teflon tape to ensure a good seal between inlet elbows and supply lines.</p>	<p>⑤</p> <p>Adjust the elbows and keep the distance of 2 outlet center 120mm. Put washer 19 into each nut 17 of faucet, and then screw 17 into elbow outlet, and screw down by spanner. Cover the protected cover 18 on hot elbow as right figure</p>	

## Key dimensions



## Exploded illustration



32	SHOWER (NOT SHOWN)
31	AERATOR SHELL
30	STREAM STRAIGHTENER
29	WASHER
28	SPOUT
27	SPOUT NUT
26	RADIAL SPRING
25	RETAINING RING
24	O-RING
23	VALVE BODY
22	SUPPLY LINE ASSM.
21	ADAPTER
20	O-RING
19	DIVERTER HANDLE
18	COSMETIC SHEEL
17	CARTRIDGE NUT M38X1.5
16	SCREW M3X0.5
15	DIVERTER CARTRIDGE
14	BUTTON
13	SPRING
12	HANDLE CAP
11	SCREW M4X7.12MM
10	THERMOSTATIC HANDLE
9	STOP RING
8	CARTRIDGE NUT M36X1.25
7	ADAPTER
6	THERMOSTATIC CARTRIDGE
5	COVER
4	ELBOW ASSM.
3	NUT HEX
2	NUT COUPLING
1	O-RING
ITEM	PART NAME

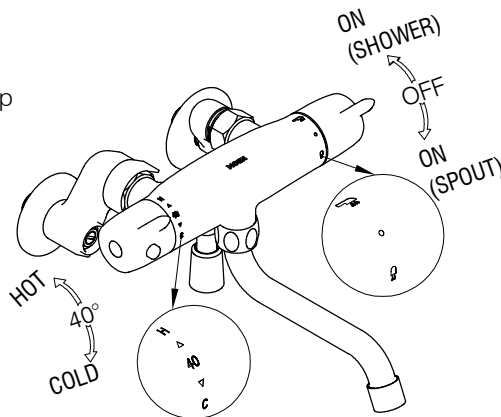
## JP58232 USAGE

### 1. Temperature control and adjustmanet

The range of temperature of this product has been set up from 20 ° C to 49 ° C, and 40 ° C is the default before ex-factory.

-Please push down button of left handle and revolve handle anticlockwise for hotter temperature.

-Please revolve left handle clockwise for colder temperature



### 2. Usage of controlling water flow:

Turn the control handle (right) anticlockwise to "ON (SHOWER)", water flow open and shower sprays;

Turn the control handle(right) colockwise to "ON (SPOUT)", water flow open and spout sparys;

### 3. Usage of spout

Spout can be revolved 360 degree freely. But please DON'T rovolve it over 180 degree to avoid brushing up against the wall. you can revolve and conceal it under the valve when you hope so.

## AERATOR CLEANING

1. Remove the aerator shell by hands
2. Pick out washer and aerator, then clean them
3. Reinstall the aerator by hands per opposite action .

