

Home Care Technical Specification

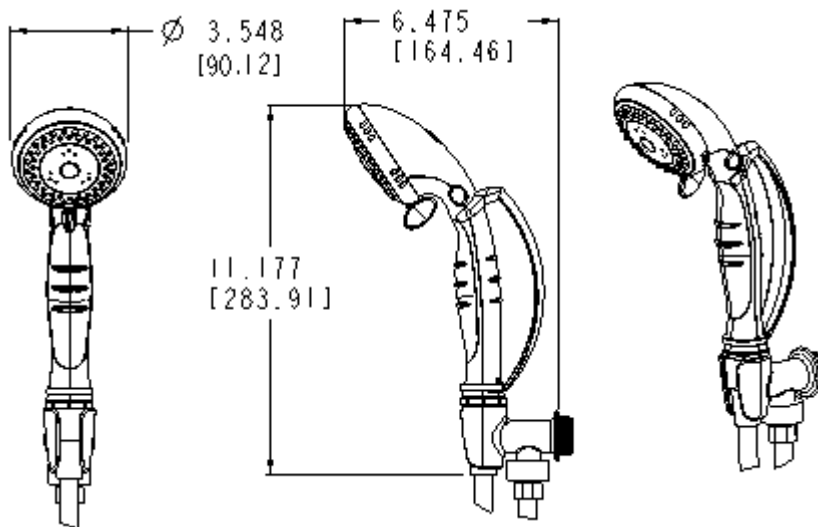
Pause Control Handheld Shower

DN8001

Stock Numbers:

- DN8001 – Pause Control Handheld Shower
Glacier Finish
- DN8001CH – Pause Control Handheld Shower
Chrome Finish

Dimensions:



Materials:

Hand Held Shower is made of ABS Plastic and Santoprene.

ASSEMBLY TESTED
TO CONFIRM ADA
COMPLIANCE



Installation Instructions:

1. Remove the existing cradle or showerhead from the wall by unscrewing (counter clockwise) the product from the end of the shower arm.
2. Cover the thread of the pipe coming out of the wall with thread seal tape (included).
3. Screw the Pause Control Handheld shower cradle on to the pipe (shower arm) coming out of the wall.
4. Identify the end of the hose with the black washer inside the plastic nut and screw the hose onto the bottom of the cradle.
5. Screw handheld shower onto the other end of the hose.
6. Rest the handheld shower in the cradle.

Stock Number: _____ Hand Held Shower
By Creative Specialties

25300 AL MOEN DRIVE • NORTH OLMSTED, OH 44070
CORPORATE HEADQUARTERS: (800) 321-8809 • FAX: (800) 848-6636
INTERNATIONAL: (440) 962-2000 • FAX: (440) 962-2726
CUSTOMER SERVICE (USA): 800-882-0116 • FAX: (888) 379-2720
WWW.MOEN.COM

©Copyright Creative Specialties International

Literature #BA1353