

DESCRIPTION

- Metal construction with a chrome finish
- R1/2-14 inlet connections
- Includes half-half pop-up type waste assembly
- Includes 300mm long flexible inlet hoses

OPERATION

- Lever style handle
- Rotate hot side counterclockwise to open (clockwise to close) and rotate cold side clockwise to open (counterclockwise to close)

FLOW

- Flowrate is 0.20L/s minimum under 0.3Mpa

CARTRIDGE

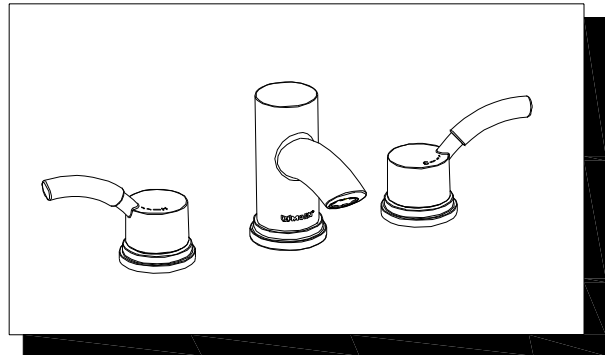
- MS Ceramic cartridge design
- Nonmetallic / nonferrous and ceramic material

STANDARD

- Designed to meet GB standard

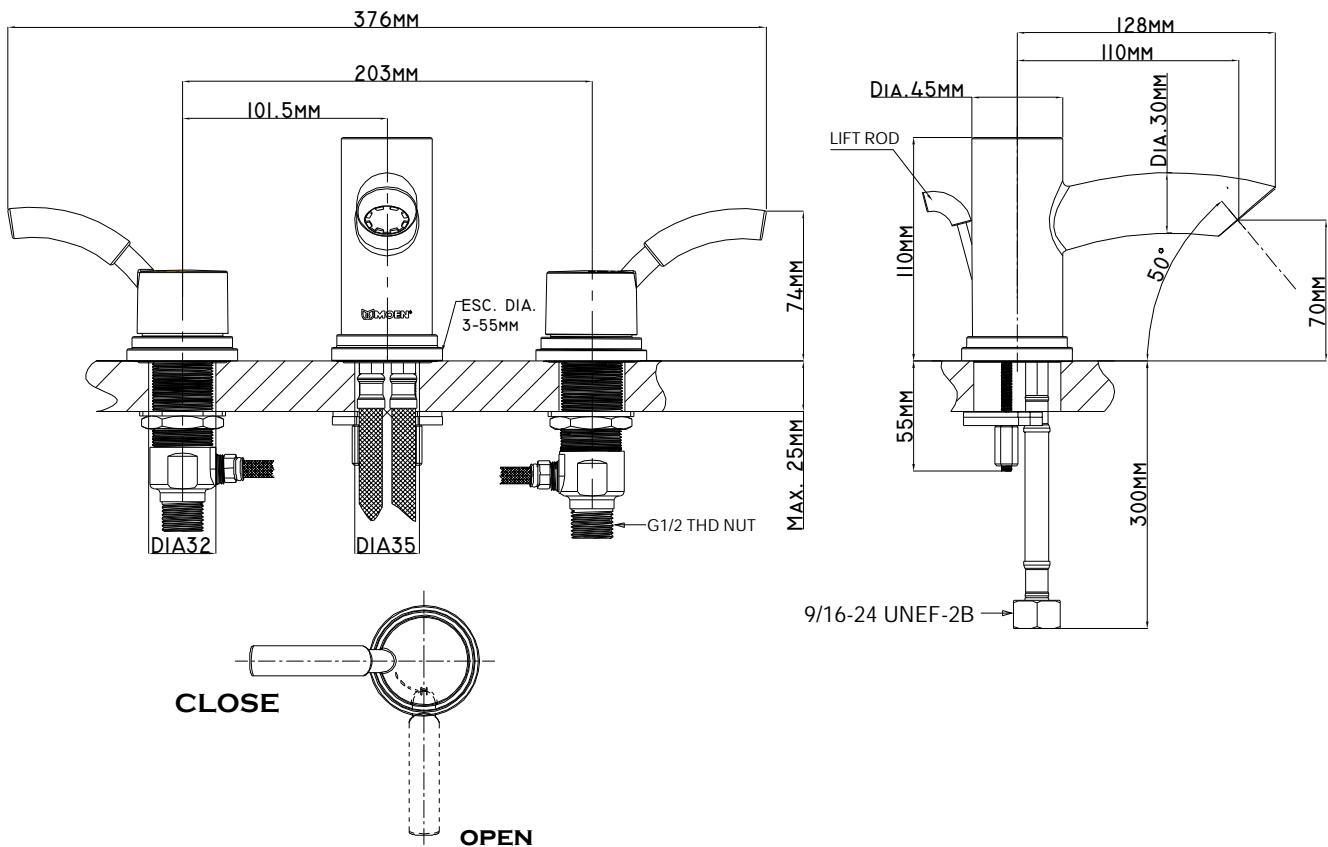
WARRANTY

- 5 years limited warranty against leaks and drips



Models: 5440

NOTE: See reverse side for illustrated parts



CRITICAL DIMENSION

(DO NOT SCALE)

DUNA®

**Two Handle 8" Lavatory Faucet
with Waste Assembly**

<u>MODEL</u>	<u>HANDLE TYPE</u>	<u>FINISH</u>
5440	LEVER	CHROME

