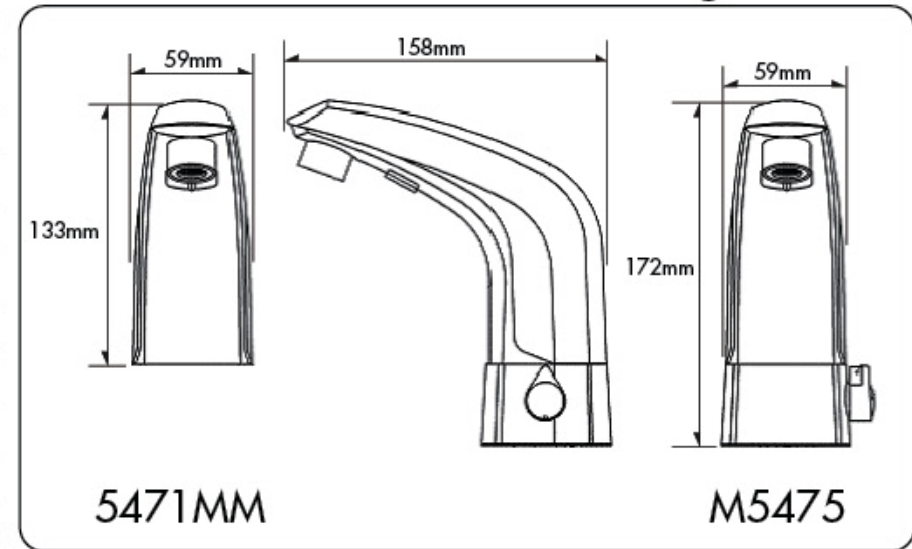


SKU: H5471MM Cold water sensor faucet / HM5475 Hot/cold water sensor faucet

Specification sheet

Power	Lithium battery CR-P2 6V
Battery life	100 eyes per day - about 2 years
Sensor range	50~200mm from spout
Operative water pressure	0.1~0.7MPa
Volume of running water	5 litres over/minutes at 0.4MPa of water pressure
Operative room temperature	+0~50°C, not frozen
Operative water temperature	+1~71°C, not frozen
Individual package weight	About 1.6kg
Body weight (Excluding a battery)	About 1.1kg
External size	(H)133 X (W)59 X (D)158mm
Requires hole size at wash basin	ø25mm~ø28mm

Dimensions drawing



Features:

- Made in Japan
- 1 year free door to door maintenance service
- Approved by HK Water Authority (Acceptance No: C20020037)
- Integrated 1 piece design
- Water saving: water will stop automatically if it detects an object continuously for longer than 30 sec