



Buy it for looks. Buy it for life.®

# Specifications

## DESCRIPTION



- Metal construction with a chrome finish
- G1/2 inlet connections

## OPERATION



- Press type handle
- Single Cold

## FLOW



- Flowrate is 0.20L/s minimum under 0.3Mpa

## CARTRIDGE



- Ceramic 25mm cartridge design

## STANDARD

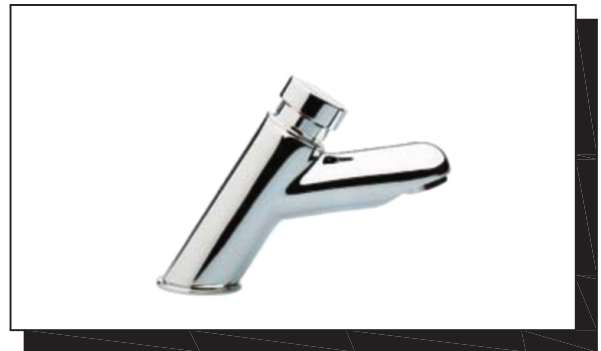


- Designed to meet GB standard and Customer require

## WARRANTY

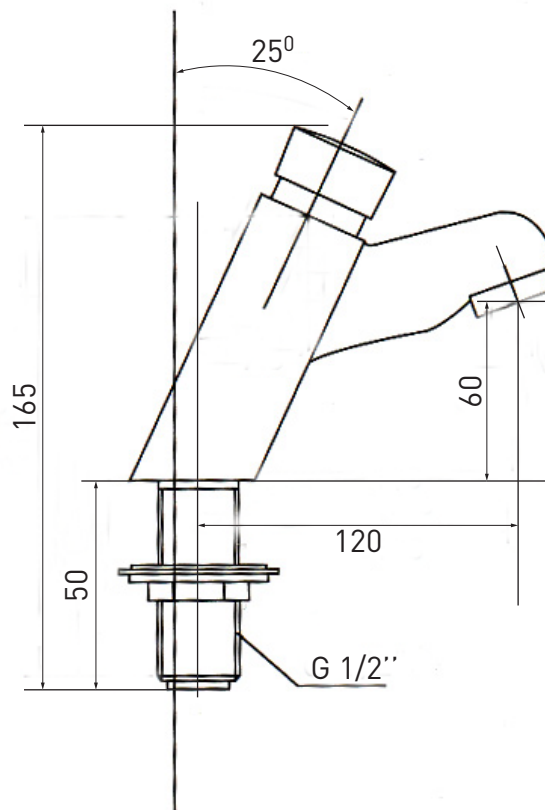


- 5 years limited warranty against leaks and drips



## Self-closing faucet

Models:M110



## CRITICAL DIMENSIONS

(DO NOT SCALE)