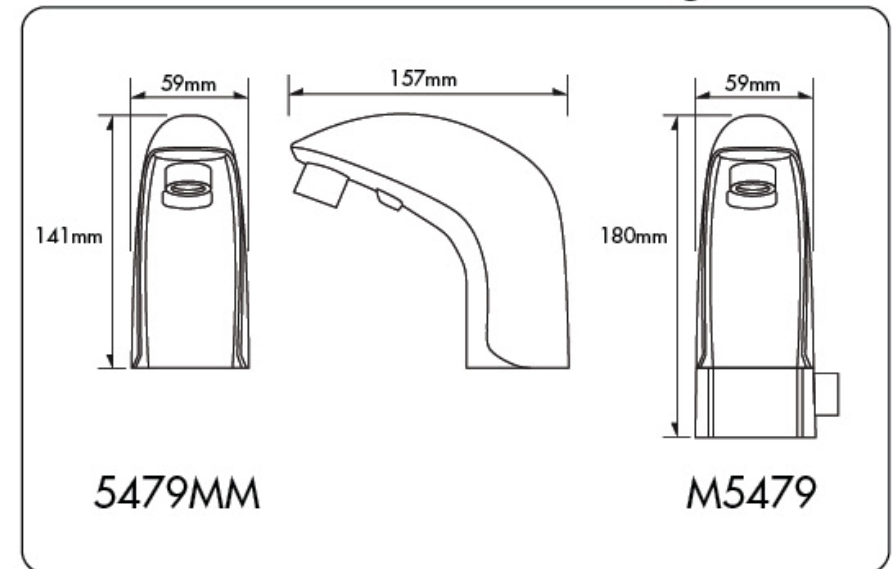


SKU: 5479MM Cold water sensor faucet / M5479 Hot/cold water sensor faucet
 (with AC option)

Specification sheet

Power	4 pieces of "AA" Alkaline batteries / AC mains operated (Needs extra adaptor)
Battery life	100 eyes per day - about 3 years
Sensor range	50~200mm from spout
Operative water pressure	0.1~0.7MPa
Volume of running water	5 litres over/minutes at 0.4MPa of water pressure
Operative room temperature	+0~50°C, not frozen
Operative water temperature	+1~71°C, not frozen
Individual package weight	About 1.6kg
Body weight (Excluding a battery)	About 1.22kg
External size	(H)141 X (W)59 X (D)157mm
Requires hole size at wash basin	ø26mm~ø38mm

Dimensions drawing



Features:

- Made in Japan
- Water saving: water will stop automatically if it detects an object continuously for longer than 30 sec