

Thank you for choosing Schneider Electric™ products. To ensure proper application of our product, please read through the following information before installation and use.

SPECIFICATIONS

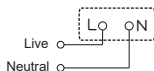
Rated Voltage : 250V~ Rated Current : Refer to product
Mounting centre : 60.3/120.6mm

IMPORTANT NOTE

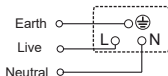
1. The product must be installed by a qualified electrician.
2. Please check your local wiring regulations before installation.
3. Please install with standard wall box to aid correct operation of the product.
4. Please keep the front cover safe in order to prevent damages before and during installation.
5. Turn off the power supply when cleaning the product. Use a piece of soft and dry cloth to wipe off the dirt and contamination on the surface. Do NOT use corrosive chemicals.
6. Shield / mask the product before renovation to avoid contamination and degradation.

WIRING DIAGRAMS

2 Pin Socket

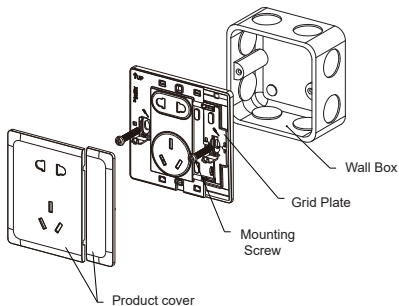


3 Pin Socket



MOUNTING INSTRUCTION

1. Connect the wires to the terminals (recommend to leave 10-12mm bare metal wire) and tighten the terminal screws.
2. Screw the grid plate onto the wall box.
3. Snap the product cover.



*Picture is for reference only