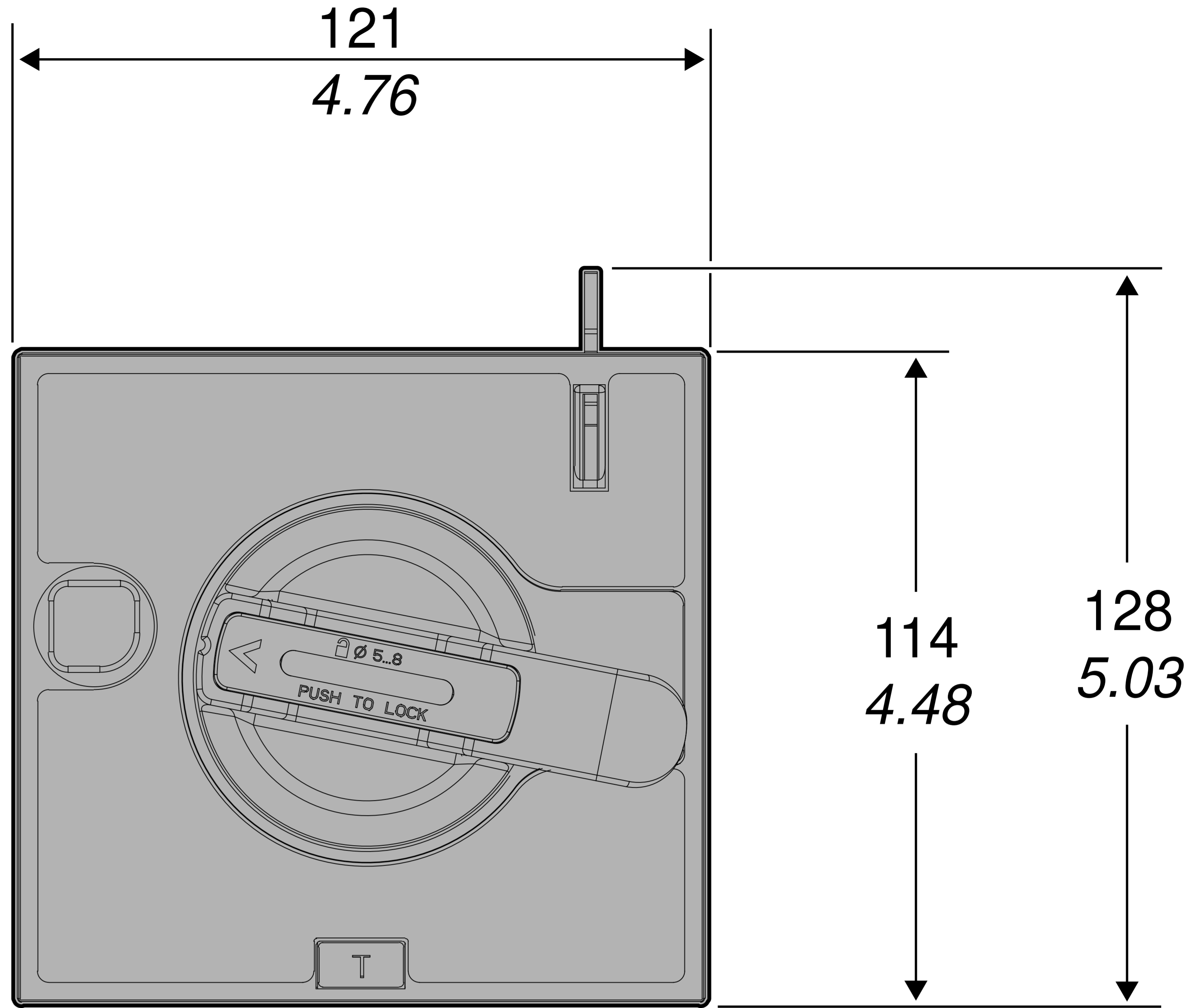
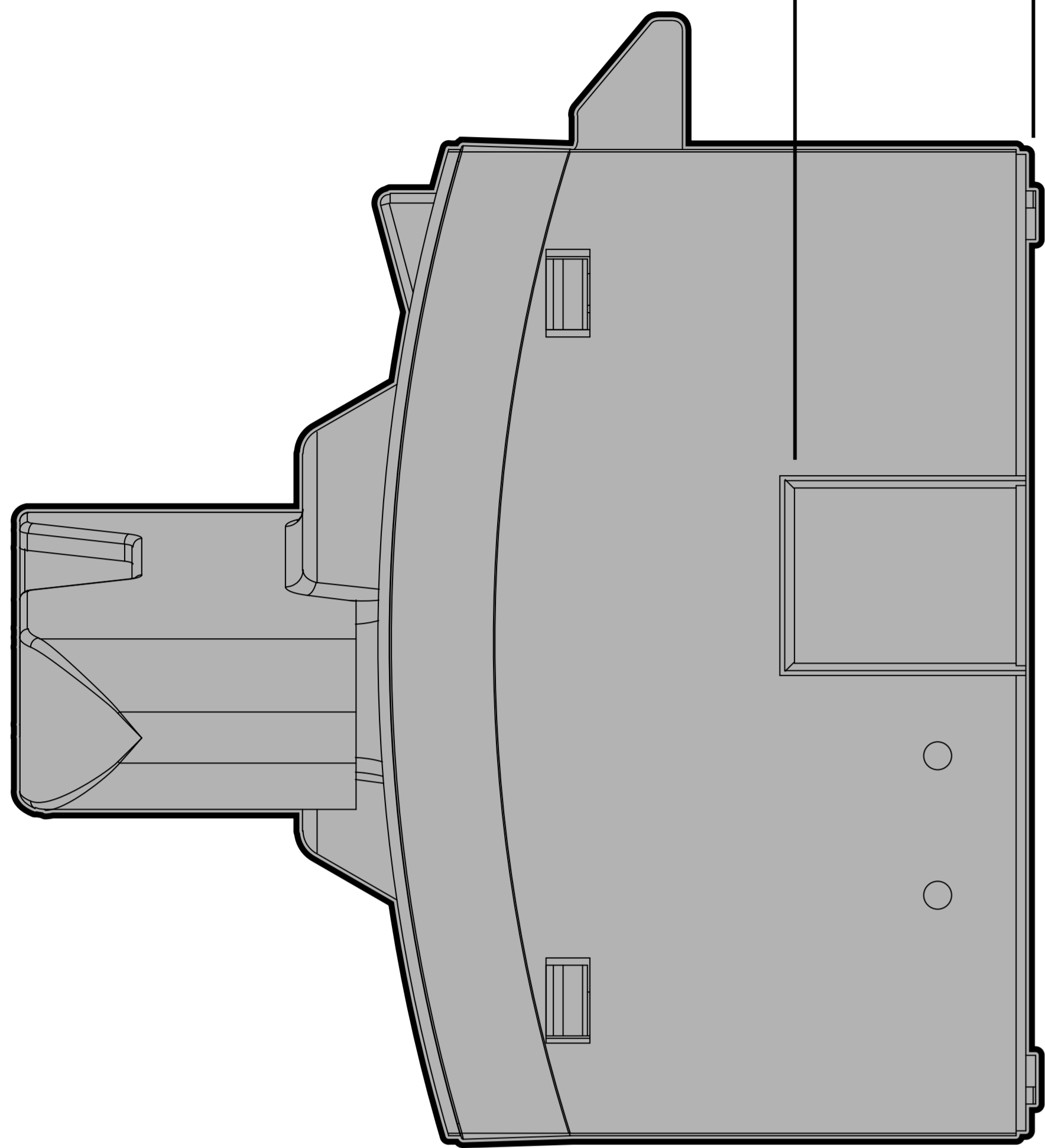


mm
in

27
1.06



7
0.27

