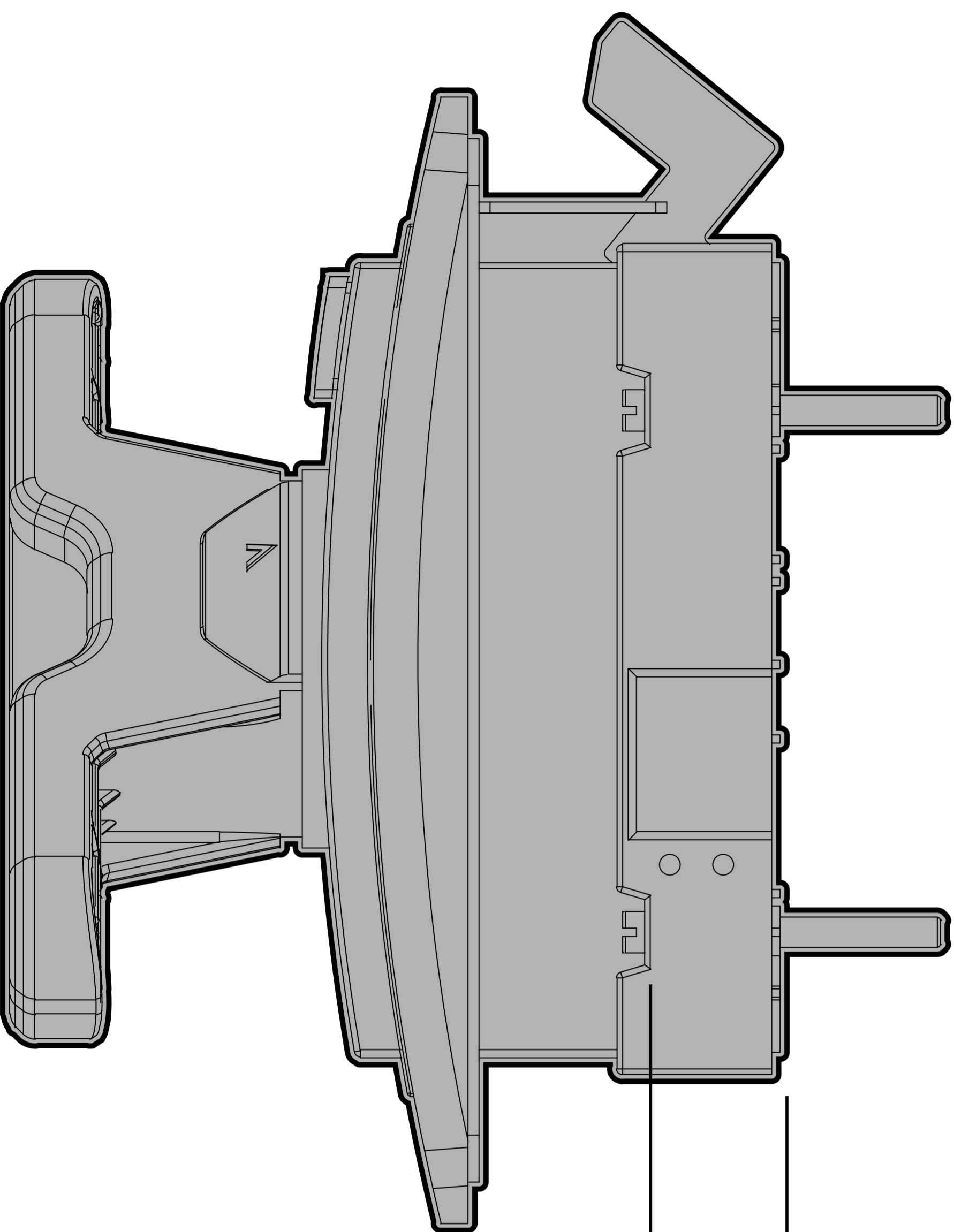


mm
in



23
0.9

