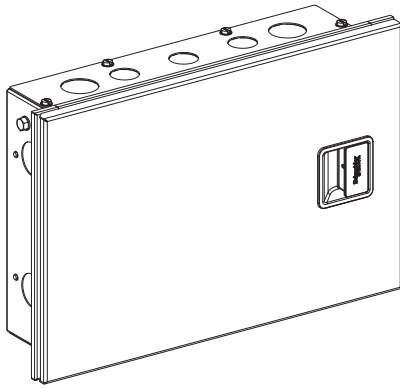




Installation Instruction



PLEASE NOTE

- Electrical equipment should be installed, operated, serviced, and maintained only by qualified personnel.
- No responsibility is assumed by Schneider Electric for any consequences arising out of the use of this material.
- Make sure each of the parts are assembled using the mounting provisions provided.
- Images indicated are of 12 way.

Use recommended Schneider Electric products for better performance.

⚠ ⚠ DANGER

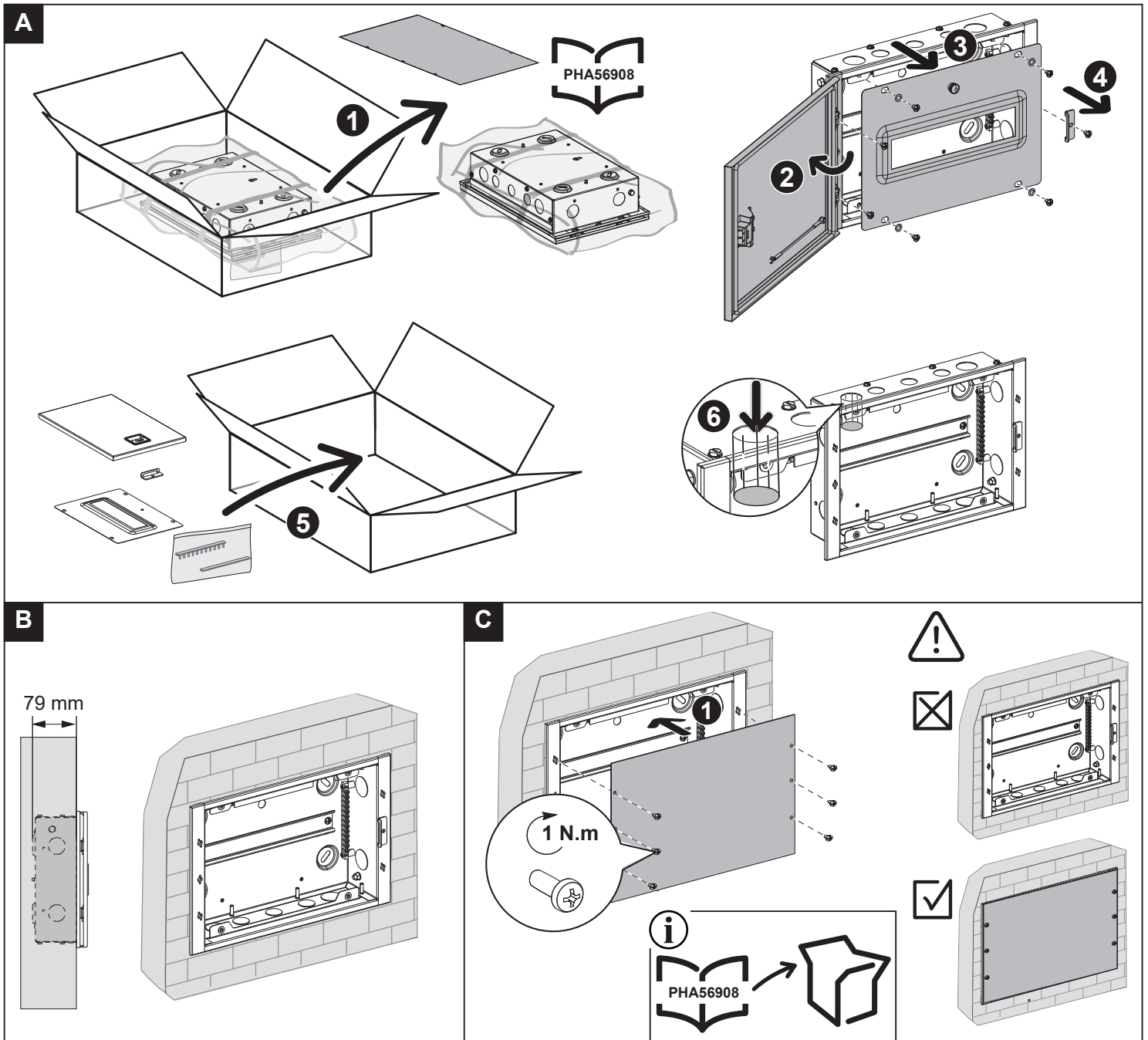
HAZARD OF ELECTRIC SHOCK, EXPLOSION, OR ARC FLASH

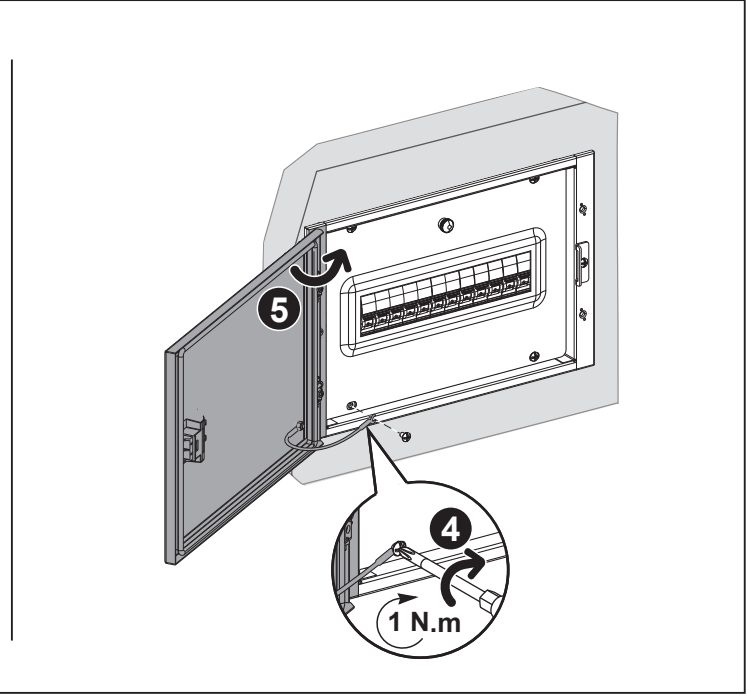
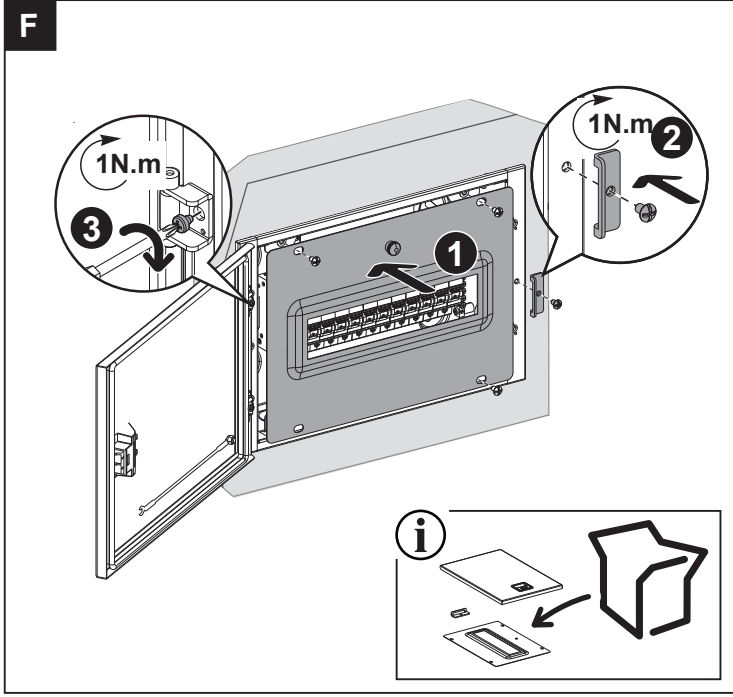
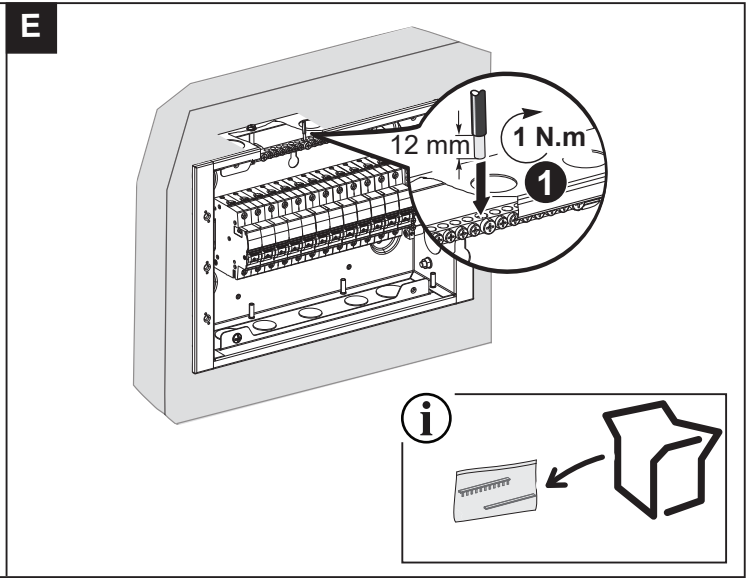
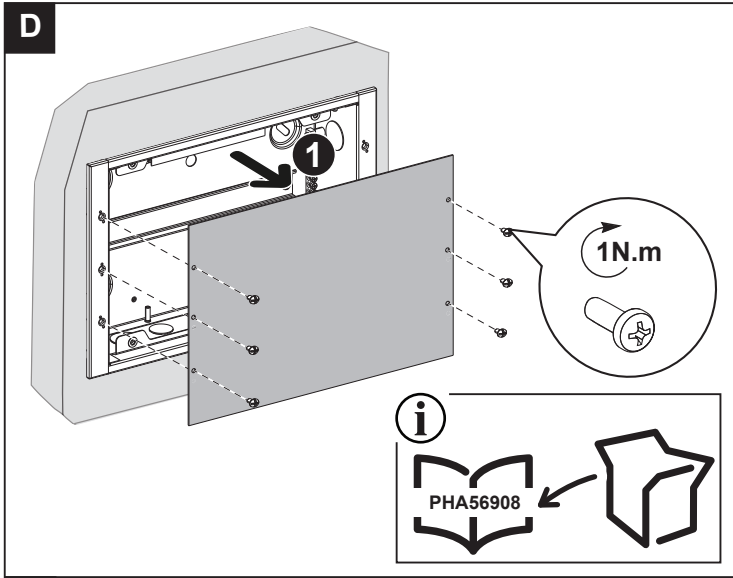
- Do not remove the front cover while the circuit is operational.
 - Install at a height to keep away from reach of children and flooding level.
 - Install all devices, doors, and covers before powering this equipment.
- Failure to follow these instructions will result in death or serious injury.

NOTICE

HAZARD OF PRODUCT DAMAGE

Do not use sharp objects or tools in the vicinity of the DB as this can result in equipment damage.
Failure to follow these instructions can result in equipment damage.





i

1 N.m

M6

X

Y

Commercial Reference	X (mm)	Y (mm)
A9HESN04	96	122
A9HESN06	132	122
A9HESN08	168	122
A9HESN12	240	122
A9HESN16	292	122

Schneider Electric Industries SAS

35, rue Joseph Monier
CS 30323
F - 92506 Rueil Malmaison Cedex

Printed on recycled paper.