

When the product does not operate well / 정상적으로 작동하지 않을 때
เมื่อผลิตภัณฑ์ทำงานได้ไม่ดี / Khi sản phẩm vận hành không tốt

If the toilet does not flush correctly, try the remedies on this page.
 If that does not remedy the problem, check again from the beginning.
 정상적으로 세정되지 않을 때는 우선 이 페이지의 대처 방법을 시도하십시오.
 그래도 해결되지 않으면 처음부터 다시 확인하십시오.

หากผลิตภัณฑ์ชำระล้างทำงานผิดปกติ กรุณาลองแก้ไขตามคำอธิบายในหน้า
 หากไม่สามารถแก้ไขปัญหาได้ ให้ตรวจสอบอีกครั้งตั้งแต่เริ่มต้น

Nếu bàn cầu xả nước không đúng cách, hãy thử các biện pháp khắc phục trên trang này.
 Nếu các biện pháp đó không khắc phục được sự cố, hãy kiểm tra lại từ đầu.

What to do? 이럴 때는 สิ่งที่ต้องทำ Phải làm gì?	Please check 확인해 주십시오 โปรดตรวจสอบ Kiểm tra	Remedy 대처 방법 การแก้ไข Biện pháp khắc phục
The flush does not operate 작동하지 않음	There is no motor sound 모터음이 나지 않음	Is the relay cord (B-9) plug inserted all the way into the port on the product? 릴레이 코드(B-9) 플러그가 제품의 연결부에 확실하게 꽂혀 있습니까?
การชำระล้างไม่ทำงาน	ไม่มีเสียงมอเตอร์	เสียบปลั๊กของสายไฟรีเลย์ (B-9) เข้าไปในพอร์ตรอบผลิตภัณฑ์จนสุดแล้วหรือไม่ 릴레이 코드(B-9) 플러그를 확실하게 꽂고 나서 캡을 설치합니다.
Xả nước không hoạt động	Không có âm thanh động cơ	Có cảm ổ cắm dây relay (B-9) vào cổng trên sản phẩm không? Lắp và nhấn ổ cắm của dây điện (B-9) vào hết mức và lắp nắp.

Information for the installer / 시공업자님께 드리는 부탁 말씀
ข้อมูลสำหรับผู้ติดตั้ง / Thông tin dành cho cửa hàng lắp đặt

취급설명서의 보증서에 필요사항을 기입한 후 반드시 고객에게 전달하십시오.

Please explain the features and operation of the product to the customer.
 제품의 기능, 사용방법에 대해 고객에게 설명하십시오.

อธิบายคุณสมบัติต่างๆ และการทำงานของผลิตภัณฑ์ให้ลูกค้าทราบ

Hãy giải thích cho khách hàng về cách sử dụng và tính năng của sản phẩm.

If the product will not be used for a long time (like when it is installed in an unoccupied, newly constructed building),

• Turn off power at the breaker on the distribution board or disconnect the power plug.

• To avoid leakage, remove the batteries from the remote control.

신축이나 공사 등으로 고객에게 제품이 전달되기까지 시간이 걸릴 경우

• 분전반의 차단기를 끄거나 전원 플러그를 뽑으십시오.

• 건전지의 누액을 방지하기 위해 리모컨에서 건전지를 분리하십시오.

หากจะไม่ใช้งานผลิตภัณฑ์เป็นเวลานาน (เช่น เมื่อติดตั้งผลิตภัณฑ์ในตึกที่เพิ่งสร้างเสร็จ และยังไม่มีการใช้งาน)

• ให้สับเบรกเกอร์ไฟบนแผงไฟไปที่ตำแหน่งปิด (OFF)

• ถอดแบตเตอรี่ออกจากรีโมทคอนโทรลเพื่อป้องกันไม่ไห้สารละลายในแบตเตอรี่รั่วออกมา (รุ่นที่ใช้รีโมท)

Nếu không sử dụng sản phẩm trong thời gian dài (chẳng hạn như lắp đặt tại nơi chưa có người ở, lắp đặt trong tòa nhà mới xây) thì phải:

• Ngắt cầu dao trên bảng điều khiển hoặc rút phích cắm nguồn điện.

• Để tránh rò rỉ, hãy tháo pin ra khỏi điều khiển. (Loại có điều khiển từ xa)

TOTO
WASHLET S7

Installation Guide
시공설명서
คำแนะนำในการติดตั้ง
Hướng dẫn lắp đặt

- Before installation, be sure to read this installation manual. Mount parts properly according to the directions.
- 설치 전에 반드시 설명서를 읽고 바르게 설치하십시오.
- กรุณาอ่านคู่มือก่อนการติดตั้งและติดตั้งอย่างถูกต้อง
- Trước khi lắp đặt, hãy chắc chắn rằng đã đọc bản hướng dẫn này để lắp đặt sản phẩm đúng cách.

To installation contractors / 시공업자님께 드리는 부탁 말씀
ข้อมูลสำหรับผู้ติดตั้ง / Thông tin dành cho cửa hàng lắp đặt

This product uses a seating detection method that is different from the conventional one.

기존 제품과 착좌 감지 방법이 다릅니다.

ผลิตภัณฑ์รุ่นนี้ใช้การตรวจจับการนั่งที่แตกต่างจากรุ่นทั่วไป

Sản phẩm này sử dụng phương pháp phát hiện việc ngồi khác với sản phẩm thông thường.

→ Refer to the check items

Remote control mounting

→ **리모컨 설치** 참조

→ โปรดดู **การติดตั้งรีโมทคอนโทรล**

→ Tham khảo phần **Lắp điều khiển từ xa**

Seat sensor (built-in)

• A label is attached on the seat sensor area. Do not peel the label from the seat sensor area. (It shows the customer where the seat sensor is.)

착좌 센서(내장)

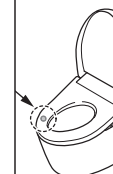
• 착좌 센서에 라벨이 부착되어 있습니다. 착좌 센서의 라벨은 제거하지 마십시오. (고객에게 착좌 센서의 위치를 알리기 위함)

เซ็นเซอร์อยู่ในตัวฝารองนั่ง

• สติกเกอร์แปะที่บริเวณเซ็นเซอร์ฝารองนั่ง กรุณาอย่าลอกสติกเกอร์เซ็นเซอร์ตรวจจับการนั่งออก (เพื่อแจ้งให้ลูกค้าได้ทราบถึงตำแหน่งของเซ็นเซอร์)

Bộ cảm ứng bộ ngồi lắp sẵn

• Nhận được gắn trên khu vực cảm ứng bộ ngồi. Không bóc nhãn ở khu vực cảm ứng bộ ngồi. (Để thông báo cho khách hàng về vị trí của bộ cảm ứng bộ ngồi)

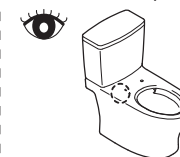


Some bowl units require a cover (A-8) to be installed. / 변기 타일에 따라 커버(A-8)를 설치해야 할 수도 있습니다.

โถสุขภัณฑ์บางรุ่น(A-8)จำเป็นต้องติดตั้งฝารองนั่ง / Một số loại bàn cầu sẽ cần lắp thêm nắp che (A-8)

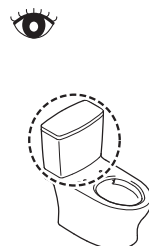


Install a cover
 커버 설치 필요
 การติดตั้งฝารองนั่ง
 Lắp nắp che

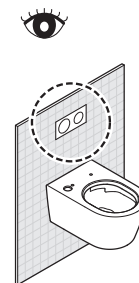


No need to install a cover
 커버 설치 필요 없음
 ไม่จำเป็นต้องติดตั้ง
 Không lắp nắp che

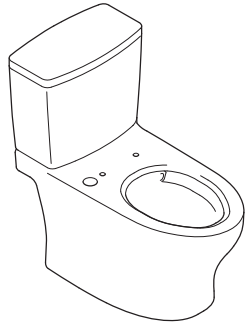
Select type of installation / 시공 타입 선택하기 / เลือกประเภทของการติดตั้ง / Chọn loại cài đặt



P.2 - 26



P.27 -
Back cover
뒷표지
ฝาปิดด้านหลัง
Nắp sau

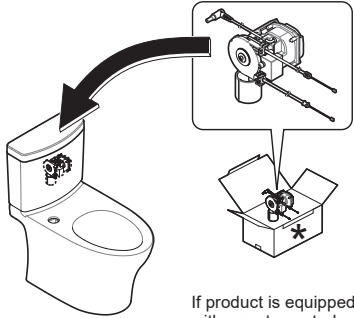


Flow of installation (See these instructions regarding parts.)

시공 순서 (부분은 본 설명서를 확인하십시오.)

ขั้นตอนการติดตั้ง (โปรดดูคำแนะนำที่เกี่ยวข้องกับชิ้นส่วน)

Lưu trình lắp đặt (Xem các hướng dẫn bên dưới liên quan đến phụ kiện trong khung .)



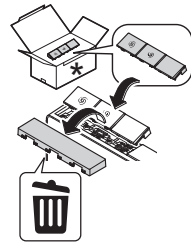
If product is equipped with remote control flush function

리모컨 변기 세정 기능이 있는 경우
หากผลิตภัณฑ์มีฟังก์ชันชำระล้างด้วยรีโมตคอนโทรล

Nếu sản phẩm được trang bị chức năng điều khiển xả từ xa



P.15



If product is equipped with remote control flush function

리모컨 변기 세정 기능이 있는 경우
หากผลิตภัณฑ์มีฟังก์ชันชำระล้างด้วยรีโมตคอนโทรล

Nếu sản phẩm được trang bị chức năng điều khiển xả từ xa



P.25

Table of contents / 목차 / สารบัญ / Mục lục

Important notice / 중요한 안내 / ข้อสังเกตที่สำคัญ / Chú ý quan trọng.....	3
Safety Precautions / Precautions before installation(EN) 4	
안전상의 주의 / 설치 전의 주의.....(KO) 6	
ข้อควรระวังด้านความปลอดภัย / ข้อควรระวังก่อนการติดตั้ง.....(TH) 8	
Chú ý về an toàn / Chú ý trước khi lắp đặt.....(VI) 10	
Checking the bowl unit / 변기 타입 확인 / ตรวจสอบโถสุขภัณฑ์ / Kiểm tra loại bồn cầu.....	12
Included parts / 동봉 부품 / ชิ้นส่วนที่ใหม่มาด้วย / Phụ kiện đóng kèm.....	12
Required items / 설치 공구 / รายการที่ต้องใช้ / Các dụng cụ cần chuẩn bị.....	13
Part diagram / 완성도 / แผนผังแสดงชิ้นส่วน / Bản vẽ hoàn thiện.....	14
Installation procedure / 설치 방법 / ขั้นตอนการติดตั้ง / Trình tự lắp đặt.....	15
Remote control mounting / 리모컨 설치 / การติดตั้งรีโมตคอนโทรล / Lắp điều khiển từ xa.....	20
Trial run / 시운전 / การทดสอบการทำงาน / Vận hành thử.....	23
After trial run / 시운전 후 / หลังทดสอบการทำงาน / Sau khi vận hành thử.....	25
Information for the installer / 시공업자님께 드리는 부탁 말씀 / ข้อมูลสำหรับผู้ติดตั้ง / Thông tin dành cho cửa hàng lắp đặt...	26

The illustrations in the installation guide may differ from the actual product.

시공 설명서의 그림은 실제 제품과 다를 수 있습니다.

ภาพประกอบในคำแนะนำในการติดตั้งนั้น อาจจะไม่มีความแตกต่างกับผลิตภัณฑ์จริง

Hình ảnh trong hướng dẫn lắp đặt có thể khác với sản phẩm thực tế

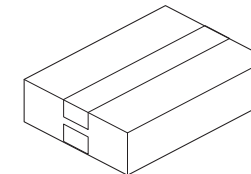
Important notice / 중요한 안내 / ข้อสังเกตที่สำคัญ / Chú ý quan trọng

If product is equipped with remote control function : The flush unit is packaged separately.

리모컨 변기 세정 기능이 있는 경우 : 변기 세정 유닛은 별도 포장입니다.

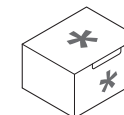
หากผลิตภัณฑ์มีฟังก์ชันชำระล้างด้วยรีโมตคอนโทรล : อุปกรณ์ชำระล้างบรรจุแยกมาให้

Nếu sản phẩm được trang bị chức năng điều khiển xả từ xa : Các thiết bị xả được đóng gói riêng



Product
제품
ผลิตภัณฑ์
Sản phẩm



Packaged separately / 별도 포장
บรรจุแยก / Đóng gói riêng



Flush unit
변기 세정 유닛
อุปกรณ์ชำระล้าง
Thiết bị xả

Safety Precautions

Be sure to carefully read this "Safety Precautions" document before beginning installation. Please comply with all safety warnings and precautions.

Symbol	Meaning
 WARNING	This symbol indicates misuse may result in death or serious injury.
 CAUTION	This symbol indicates misuse may result in injury or physical damage.

WARNING

Do not use this product with any power supply other than the one specified. (AC 220–240 V, 50 Hz/60 Hz)
Doing so may result in heat or fire.

Do not use the product when the power cord or power source connection is damaged or the power source connection is loose.
Doing so may result in electrical shock or fire.

Do not install a power connecting part directly beneath a water supply location. Do not allow the water supply hose to touch the power connecting part.
Doing so may cause condensation resulting in a fire, electrical shock, heat or a short.

Do not use other water than allowed by the laws and ordinances of the region of use. Only use potable water. Do not use seawater or recycled water.
Doing so may cause irritation to the skin and malfunction.

Do not install the product on moving vehicles such as wheeled vehicles or boats.
Doing so may cause fire, electric shock, short circuit or malfunction.
The toilet seat, toilet lid, main unit, or other parts may come loose and fall off, resulting in injury.

Do not do anything that may damage the power cord or power source connection. Do not strike, yank, twist, excessively bend, damage, alter, or heat any power cord or power source connection. Also, do not place anything heavy on, bind or pinch them.
Using a damaged power cord may result in a fire, electrical shock, heat or a short.

Do not exceed the rated capacity of your electrical outlets or wiring equipment.*1
Using a single outlet to supply power to many devices by using an extension cord or other adapters may result in fire from excess heat.

Be sure to plug the power cord (C-2) all the way into the wall socket (C-2-1).*1
Doing so may result in electrical shock or fire.

Confirm that the power source connection is connected correctly.
Doing so may result in electrical shock or fire.

Always use a grounded electrical outlet and that is connected to a ground fault circuit interrupter (30 mA or less).

To unplug, hold the power plug, not the power cord.*1 Do not unplug by pulling the power cord.*1
Pulling on the power cord may cause damage and result in fire or heat.

Make sure to waterproof the power plug by using a silicon rubber sealant.*1
A power plug that has not been waterproofed may cause fire or electric shock.
* If the power plug is not waterproof, ask the installer to waterproof it.

This is an electrical product. Do not locate it anywhere water is likely to get on it. Do not locate the product in a humid environment where water may form on the surface of the product. When using the product in a bathroom, install a ventilation fan or opening, so that the bathroom has sufficient airflow to avoid extreme humidity.
Failure to do so may result in electrical shock or fire.

If the power cord is damaged, avoid danger by having the manufacturer's repair department or equivalent specialist replace it.

Always connect the product to the cold water supply.
Connecting to hot water supply may result in burns and equipment damage.

When installing this product, comply with the regional codes and standards on installation work and electrical work.

Check that an appropriate ground is installed.
For the ground, use copper wire with a ground resistance of 100 Ω max. and a diameter of 1.6 mm min.
If the ground is not installed, if there is a breakdown or electrical current leak, the lack of a ground could cause electrical shock.
* If there is no ground installed, ask the contractor who did the installation to install the ground.

*1 If the product has a power plug.

*2 If the product does not have a power plug.

Safety Precautions (Continued)

WARNING

Confirm that wiring is connected correctly (L terminal: Live, N terminal: Neutral).
Incorrect wiring may cause mechanical failure.

All-pole disconnection incorporated in the fixed wiring shall be provided.

CAUTION

Install the Washlet properly according to the Installation Guide.
Improper installation may result in water leakage, electric shock or fire.

Do not lift the product by the toilet seat or toilet lid.
Doing so may result in the product main body dislodging, falling and causing injury.

Do not fold or crush the water supply hose; do not damage by cutting with a sharp object.
Doing so may result in water leakage.

Do not remove the drain plug with water supply filter while the shutoff valve is open.
Doing so will result in water leakage.

Push the product main body securely onto the base plate. After pushing the product main body until a click sound is heard, pull it slightly toward you to make sure that the product does not detach.
Not doing so may result in the product main body dislodging, falling and causing injury.

Make sure the plus and minus signs on the batteries are aligned correctly before inserting them.
Otherwise, the batteries may leak fluid, generate heat, rupture, or ignite.

When the product will not be used for a long time, remove the batteries from the remote control.
Failure to do so may cause the batteries to leak fluid.

- This product is classified as Class I Equipment and must be grounded.
- Install this equipment so that the electrical outlet and power breaker are accessible.
- Use the new hose set included with this equipment. Do not reuse an old hose set.

Precautions before installation

Do not turn on the electricity and water supply for the product until installation work is complete.
Do not damage the connection components on the water supply hose (C-5).
The water supply pressure ranges from 0.05 MPa <dynamic> - 0.75 MPa <static>.
Use the unit within the said pressure range.
If the water supply pressure is low, toilet bowl cleaning may not be performed.

The temperature of the water supply should be within a range of 0 to 35 °C. Make sure the temperature is within this range.

Working ambient temperature is within the range of 0 to 40 °C. Make sure the temperature is within this range.
Do not use water supply hoses (C-5) other than those supplied with the product.

*Because a water flow test is conducted on each product at the factory, water may remain inside the product.
This water does not indicate a problem with the product.

Perform wiring correctly according to this product's specifications (rated power 10 A or more, 220–240 V AC (50 Hz/60 Hz)).

*Power supply, rated power consumption is indicated on the label of this product.



The power cord is 1.2 m (For singapore, 5.0 m) long. Check that the outlet is provided in a location appropriate for this length.

The following conditions may affect the reception performance of the remote control, resulting in it not being able to operate the main unit.

- When the room size, the layout of fixtures etc., interferes.
- When the color of the ceiling or walls is too dark, or their shape or material interferes.
- When there is a rack or cabinet installed on the wall behind the main unit.
- When an inverter lighting system is used. Change the position of the remote control or try from the opposite wall.

안전상의 주의

설치 전에 반드시 「안전상의 주의」를 잘 읽으신 후 안전상의 경고, 주의사항을 반드시 준수하십시오.

그림 표시	의미
 경고	잘못 취급하면 사람이 사망이나 중상을 입을 가능성이 예상되는 내용을 표시합니다.
 주의	잘못 취급하면 사람이 부상이나 물적 손해가 발생할 가능성이 예상되는 내용을 표시합니다.

 **경고**

지정된 전원(교류 220 V, 60 Hz) 이외에는 사용하지 마십시오
화재나 발열이 발생할 수 있습니다.

전원 코드나 전원의 연결부가 손상되었거나, 전원의 연결 부가 느슨한 상태에서는 사용하지 마십시오
화재나 발열이 발생할 수 있습니다.

급수 위치의 바로 아래에 전원의 연결부를 설치하거나, 급수 호스와 전원의 연결부를 접촉하지 마십시오
결로 등으로 인해 화재, 감전, 발열, 단락이 발생할 수 있습니다.

사용하는 지역의 법령 규칙에 준수하여 음용수 이외는 사용하지 마십시오
바닷물 · 재생수도 사용하지 마십시오
파부 염증을 일으키거나 기기가 고장날 수 있습니다.

차량, 선박 등 이동 수단에는 설치하지 마십시오
화재, 감전, 단락, 고장이 발생할 수 있습니다.
시트, 시트커버 등이 분리되어 낙하하면 부상을 입을 수 있습니다.

전원 코드나 전원의 연결부를 파손하지 마십시오
전원 코드나 전원의 연결부를 세게 내려치지 않음, 잡아당기지 않음, 비틀지 않음, 무리하게 구부리지 않음, 파손시키지 않음, 가공하지 않음, 가열하지 않음, 무거운 물건을 올려놓지 않음, 묶지 않음, 틈새에 끼우지 않음
파손된 상태로 사용하면 화재, 감전, 발열 및 단락이 발생할 수 있습니다.

콘센트는 정격을 초과하여 사용하지 마십시오
문어발 배선 등으로 정격을 초과하면 발열에 의해 화재가 발생할 수 있습니다.

전원 플러그(C-2)는 콘센트(C-2-1)에 확실하게 꽂으십시오
화재나 감전이 발생할 수 있습니다.

전원의 연결부가 바르게 연결되어 있는지 확인하십시오
화재나 감전이 발생할 수 있습니다.

반드시 접지된 콘센트 또는 단자대를 사용하여 누전 차단기(30 mA이하)에 연결하십시오

전원 플러그를 뽑 때는 전원 코드가 아닌 전원 플러그를 잡으십시오
전원 코드를 잡아당겨 전원 플러그를 빼지 마십시오
전원 코드를 잡아당기면 전원 코드가 파손되어 화재나 발열이 발생할 수 있습니다.

전원 플러그가 실리콘으로 방수 처리되어 있는지 확인하십시오
방수 처리를 하지 않으면 화재나 감전이 발생할 수 있습니다.
※방수 처리가 되어 있지 않은 경우에는 시공 업체에 의뢰하십시오.

본 제품은 전기 제품으므로 물이 들어가기 쉬운 장소 또는 습기가 많은 장소에는 설치하지 마십시오
욕실 안에서 사용하는 경우에는 환풍기 또는 환기구를 설치하여 욕실 안에 공기가 잘 통하도록 하십시오
화재나 감전이 발생할 수 있습니다.

만일 전원 코드가 파손되었다면 위험 방지를 위해 반드시 제조사의 수리 전문가에게 의뢰하여 교환하십시오

제품은 반드시 냉수 공급부에 연결하십시오
화상 또는 기기 고장이 발생할 수 있습니다.

본 제품을 설치할 때는 각 나라의 설치 공사 제약 조건에 따르십시오

접지가 바르게 되어 있는지 확인하십시오
접지 저항이 100 Ω 이하이며, 직경이 1.6 mm 이상인 동선을 사용하여 접지합니다.
접지하지 않으면 고장 또는 누전 시 감전이 발생할 수 있습니다.
※접지가 되어 있지 않은 경우에는 시공 업체에 의뢰하십시오.

안전상의 주의 (계속)

 **경고**

배선이 바르게 연결(L극 : 라이브, N극 : 뉴트럴)되어 있는지 확인하십시오
기기 고장이 발생할 수 있습니다.

전원 설비 측에 전원 차단 장치를 설치하십시오

 **주의**

시공설명서에 따라 바르게 설치하십시오
바르게 설치하지 않으면 누수, 감전, 화재가 발생할 수 있습니다.

시트 · 시트 커버를 잡고 제품을 들어올리지 마십시오
본체가 분리되어 낙하하여 부상을 입을 수 있습니다.

급수 호스를 구부리거나 찌그러뜨리거나 커터 등으로 흠집을 내지 마십시오
누수가 발생할 수 있습니다.

지수전을 연 채로 급수필터 물 빼기 밸브를 분리하지 마십시오
물이 분출되어 나옵니다.

본체는 베이스 플레이트에 확실하게 밀어 넣으십시오
「딸깍」 소리가 날 때까지 밀어 넣은 후, 가볍게 앞으로 잡아 당겨 본체가 분리되지 않는지 확인하십시오
본체가 분리되어 낙하하여 부상을 입을 수 있습니다.

건전지의 +, - 표시를 확인하여 넣으십시오
건전지의 누액, 발열, 파열, 발화가 발생할 수 있습니다.

장기간 사용하지 않을 때는 리모컨에서 건전지를 분리하십시오
건전지 누액이 발생할 수 있습니다.

- 이 기기는 클래스 I 에 속하기 때문에 접지해야 합니다.
- 이 기기의 출력플러그나 전원차단기는 손이 닿는 곳에 놓아 두십시오.
- 이 기기에 부착되어 있는 새로운 호스 세트를 사용하고 낡은 호스 세트는 재사용 하지 마십시오.

설치 전의 주의

제품에 통전 및 통수는 설치작업을 모두 마친 후에 실시하십시오.

급수호스(C-5)의 선단 연결부를 파손하지 마십시오.

급수압력 범위는 0.05 MPa<유동 시>~0.75 MPa<정지 시>입니다.

이 압력 범위에서 사용하십시오.

급수압이 낮으면 번기가 세정되지 않는 경우가 있습니다.

급수온도는 0-35 °C 입니다.

이 온도 범위에서 사용하십시오.

주위 사용 온도는 0-40 °C 입니다.

이 온도 범위에서 사용하십시오.
동봉된 급수호스(C-5) 외에는 사용하지 마십시오.
※출하 전에 통수 검사를 하기 때문에 제품 안에 물이 남아 있는 경우가 있으나, 제품에는 문제가 없습니다.



본 제품의 사양(정격 10 A이상, 교류 220 V (60 Hz))에 적합하게 배선하십시오.
※전원이나 정격 소비 전력은 본 제품 라벨에 표시되어 있습니다.

전원 코드의 길이는 1.8 m입니다.
콘센트가 전원 코드 길이에 적합한 위치에 있는지 확인하십시오.
다음 조건은 리모컨의 수신 성능에 영향을 미쳐 리모컨을 조작해도 본체를 작동시키지 못할 수 있습니다.

- 방의 크기, 기구의 배치 등의 조건이 맞지 않는 경우
- 천장이나 벽의 색상이 너무 어둡거나 모양이나 재질 등의 조건이 맞지 않는 경우
- 본체 뒤의 벽에 선반이나 캐비닛이 설치된 경우
- 인버터 조명이 있는 경우
- 리모컨의 설치 위치를 바꾸거나 반대편에서 다시 시도하십시오.

ข้อควรระวังด้านความปลอดภัย

กรุณาอ่าน "ข้อควรระวังเพื่อความปลอดภัย" นี้อย่างละเอียดก่อนการติดตั้งรวมถึงปฏิบัติตามคำเตือนและข้อควรระวังเพื่อความปลอดภัย

สัญลักษณ์	ความหมาย
 คำเตือน	สัญลักษณ์นี้บ่งชี้ว่าการใช้งานผิดอาจทำให้เกิดการบาดเจ็บร้ายแรงหรือถึงแก่ความตายได้
 ข้อควรระวัง	สัญลักษณ์นี้บ่งชี้ว่าการใช้งานผิดอาจทำให้เกิดการบาดเจ็บหรือผลิตภัณฑ์เกิดความเสียหายทางกายภาพได้

 คำเตือน

อย่าต่อผลิตภัณฑ์นี้เข้ากับแหล่งจ่ายไฟแบบอื่นนอกเหนือจากที่ระบุไว้ (AC 220-240 V, 50 Hz/60 Hz)

มิฉะนั้น อาจทำให้เกิดความร้อนสูง หรือไฟไหม้ได้

อย่าใช้ผลิตภัณฑ์เมื่อสายไฟหรือปลั๊กไฟเสียหาย หรือปลั๊กไฟหลวม

มิฉะนั้น อาจทำให้เกิดไฟฟ้าช็อตหรือไฟไหม้ได้

อย่าติดตั้งส่วนเชื่อมต่อไฟฟ้าใตจุดจ่ายน้ำโดยตรง และอย่าให้สายจ่ายน้ำสัมผัสกับส่วนเชื่อมต่อไฟฟ้า การทำเช่นนั้นอาจทำให้เกิดการควมแน่นซึ่งเป็นสาเหตุให้เกิดไฟไหม้ ไฟดูด ความร้อน หรือไฟฟาลัดวงจรได้

อย่าใช้น้ำอื่น ๆ นอกจากที่อนุญาตให้ใช้ได้ตามข้อกำหนดของกฎหมายและสอดคล้องกับขออนุญาตการใช้งาน โปรดใช้แต่น้ำดื่มเท่านั้น

มิฉะนั้น อาจทำให้เกิดไฟฟ้าช็อตหรือไฟไหม้ได้

การทำงานเช่นนี้จะทำให้เกิดการระคายเคืองต่อผิวหนังและทำงานผิดปกติได้

ห้ามติดตั้งผลิตภัณฑ์ไว้บนยานพาหนะที่เคลื่อนที่ได้ เช่น รถยนต์หรือเรือ

การทำงานเช่นนี้อาจทำให้เกิดไฟไหม้ ไฟดูด ไฟฟาลัดวงจร หรือการทำงานผิดปกติได้ ฟารองนั่ง ผ่าปิด หรือชิ้นส่วนอื่นๆ อาจหลวมและหลุดออก ทำให้ได้รับบาดเจ็บได้

ห้ามทำให้สายไฟและปลั๊กไฟได้รับความเสียหาย

โปรดอย่า ทุบ , ดึงแรงๆ, อย่านัด, อย่งจนมากเกินไป, อย่านำให้เป็นรอย, อย่านัดแปลง, อย่านำให้โดนความร้อน, อย่านำเอาของหนักมาวางทับ, ห้ามมัดหรือพัน สายไฟและปลั๊กไฟ

การให้สายไฟที่เสียหายอาจทำให้เกิดไฟไหม้, ไฟฟ้าช็อต, เกิดความร้อน หรือไฟลัดวงจร

อย่าใช้เต้าเสียบเกินขนาดที่กำหนด

การใช้เต้าเสียบปลั๊กอันเดียวเพื่อจ่ายไฟให้กับอุปกรณ์หลายๆ ชิ้น โดยใช้หัวต่อหรือแอดปเตอร์แบบอื่นๆ อาจทำให้เกิดไฟไหม้ จากความร้อนที่สูงเกิน

ตรวจสอบให้แน่ใจว่าเสียบสายไฟ (C-2) เข้าไปในเต้าเสียบที่ผนัง (C-2-1) จนสุด

มิฉะนั้น อาจทำให้เกิดไฟฟ้าช็อตหรือไฟไหม้ได้

กรุณาตรวจสอบให้แน่ใจว่า สายไฟมีการเชื่อมต่ออย่างถูกต้อง

อาจเป็นสาเหตุให้เกิดไฟไหม้หรือไฟฟ้าช็อตได้

ใช้เต้าเสียบที่มีขั้วสายดิน และต้องเชื่อมต่อเข้ากับ เครื่องตัดวงจรไฟฟ้าเมื่อกระแสรั่วลง ดิน (Ground Fault Circuit Interrupter) ขนาด 30 มิลลิแอมแปร์หรือน้อยกว่า

เมื่อดึงปลั๊กออก ให้จับที่ตัวปลั๊ก ไม่ใช่ที่สายไฟ

อย่าดึงปลั๊กออกโดยดึงสายไฟ

การดึงที่สายไฟอาจทำให้เกิดความเสียหาย และเกิดไฟไหม้หรือความร้อนได้

ตรวจสอบให้แน่ใจว่าได้ใช้ขั้วสายขั้วลิโคเนกับปลั๊กไฟเหมือนกัน

ปลั๊กไฟที่ไม่ได้มีการกันน้ำอาจทำให้เกิดไฟไหม้หรือไฟฟ้าช็อตได้

* หากปลั๊กไฟไม่ได้มีการกันน้ำ ให้สอบถามผู้ติดตั้งเพื่อให้ติดตั้งกันน้ำให้

ผลิตภัณฑ์นี้เป็นผลิตภัณฑ์ไฟฟ้า อย่างไรก็ตามผลิตภัณฑ์ไว้ในบริเวณที่อาจสัมผัสกับน้ำ อย่างไรก็ตามผลิตภัณฑ์ไว้ในสภาพแวดล้อมที่มีความชื้นสูง เพราะอาจทำให้มีหยดน้ำก่อตัวขึ้นบนผลิตภัณฑ์

เมื่อใช้ผลิตภัณฑ์ในห้องสุขา ให้ติดตั้งพัดลมหรือช่องระบายอากาศ เพื่อให้ห้องสุขามีอากาศหมุนเวียนอย่างเพียงพอและป้องกันไม่ให้เกิดความชื้นมากเกินไป

มิฉะนั้น อาจทำให้เกิดไฟฟ้าช็อตหรือไฟไหม้ได้

หากสายไฟเสียหาย ต้องให้แผนกบริการซ่อมของผู้ผลิตหรือผู้ที่มีความชำนาญเทียบเท่ากันทำการ เปลี่ยนสายไฟให้ใหม่ เพื่อป้องกันอันตรายที่อาจเกิดขึ้นได้

ต่อผลิตภัณฑ์เข้ากับหัวจ่ายน้ำเย็นเท่านั้น

การต่อเข้ากับหัวจ่ายน้ำร้อนอาจทำให้เกิดการไหม้ และอุปกรณ์เสียหายได้

เมื่อติดตั้งผลิตภัณฑ์นี้ ให้ปฏิบัติตามกฎและมาตรฐานสำหรับงานติดตั้งต้องทำการเก็บสายไฟให้เป็นระเบียบและยึดอยู่กับที่

ตรวจสอบว่ามีกรติดตั้งสายดินที่เหมาะสม

สำหรับสายดิน ใช้สายไฟทองแดงที่มีความต้านทานทางไฟฟ้าของการต่อลงดินสูงสุด 100 Ω และมีเส้นผ่านศูนย์กลางอย่างน้อย 1.6 มม. หากไม่ติดตั้งสายดิน เมื่อเกิดความชื้นของหรือกระแสไฟฟ้ารั่ว อาจส่งผลให้เกิดไฟฟ้าช็อตได้

* หากยังไม่ได้ติดตั้งสายดิน ให้สอบถามผู้รับเหมาที่ทำการติดตั้ง เพื่อให้ติดตั้งสายดินให้

ข้อควรระวังด้านความปลอดภัย (ต่อ)

 คำเตือน

ตรวจสอบให้แน่ใจว่ามีการเชื่อมต่อสายไฟอย่างถูกต้องแล้ว (ขั้ว L : มีกระแสไฟฟ้าไหลผ่าน, ขั้ว N : เป็นกลาง). การเดินสายไฟที่ไม่ถูกต้องอาจทำให้เกิดความชื้นของแข็งกลได้

มีระบบการตัดการเชื่อมต่อชั่วคราวทั้งหมดที่ใช้ในสายไฟที่ติดตั้งกับที่

 ข้อควรระวัง

ติดตั้ง Washlet ให้ถูกต้องตามคำแนะนำในการติดตั้ง การติดตั้งที่ไม่ถูกต้องอาจทำให้มีน้ำรั่ว, เกิดไฟฟ้าช็อตหรือไฟไหม้ได้

อย่ายกผลิตภัณฑ์โดยจับที่ที่นั่งหรือฝาปิดโถสุขภัณฑ์ มิฉะนั้น อาจทำให้ชิ้นส่วนหลักของผลิตภัณฑ์หลุดออกมา, หล่น และทำให้เกิดการบาดเจ็บได้

อย่าพันหรือบิดขั้วสายยางหรือท่อน้ำ อย่าใช้วัตถุแหลมคมกดหรือแทงสายไฟให้เกิดความเสียหาย

มิฉะนั้น อาจทำให้มีน้ำรั่วได้

อย่าถอดตัวกรองของวาล์วระบายน้ำออก ขณะที่ใช้วาล์วควบคุมน้ำเปิดอยู่

มิฉะนั้น จะทำให้มีน้ำรั่วได้

- ผลิตภัณฑ์นี้จัดเป็นอุปกรณ์คลาส I และจะต้องติดตั้งสายดิน
- กรุณาเก็บปลั๊กเอาต์พุตของอุปกรณ์นี้และเบรกเกอร์ไฟฟ้าเอาไว้ใกล้มือ
- ใช้ชุดสายยางใหม่ที่มาให้พร้อมกับอุปกรณ์นี้ อย่าใช้ชุดสายยางเก่าซ้ำ

ข้อควรระวังก่อนการติดตั้ง

ห้ามจ่ายไฟฟ้าและน้ำเข้าผลิตภัณฑ์จนกว่าจะติดตั้งแล้วเสร็จสมบูรณ์

อย่าทำให้ชิ้นส่วนสำหรับต่อสายยางจ่ายน้ำ (C-5) เสียหาย ขอบเขตแรงดันน้ำที่จ่ายออก 0.05 MPa <ไดนามิก> -0.75 MPa <คงที่>

ใช้งานชุดผลิตภัณฑ์ในช่วงแรงดันที่กำหนดไว้ หากแรงดันการจ่ายน้ำต่ำ ระบบทำความสะอาดโถสุขภัณฑ์อาจไม่ทำงาน

อุณหภูมิของน้ำที่จ่ายต้องอยู่ในช่วง 0 ถึง 35 °C ตรวจสอบให้แน่ใจว่าอุณหภูมิมีค่าอยู่ในช่วงดังกล่าว

อุณหภูมิของสภาวะแวดล้อมโดยรอบในการทำงานต้องอยู่ในช่วง 0 ถึง 40 °C ตรวจสอบให้แน่ใจว่าอุณหภูมิมีค่าอยู่ในช่วงดังกล่าว

อย่าใช้สายจ่ายน้ำ (C-5) ที่ไม่ได้ให้มาพร้อมกับผลิตภัณฑ์

*ผลิตภัณฑ์อาจมีน้ำค้างอยู่ภายในเนื่องจากผลิตภัณฑ์แต่ละชิ้นจะต้องผ่านการทดสอบการไหลของน้ำ ณ โรงงานผลิต น้ำที่ค้าง อยู่ในไม่ได้บ่งชี้ว่าผลิตภัณฑ์มีปัญหา

ประกอบผลิตภัณฑ์เข้ากับฐาน (Base plate) ให้แน่น โดยหลังจากประกอบเข้าแล้วจะมีเสียงคลิก ให้ทดลองดึงผลิตภัณฑ์เข้าหาตัวผู้ติดตั้ง เพื่อให้แน่ใจว่า ผลิตภัณฑ์จะไม่หลุดออก

การไม่ทำเช่นนี้อาจทำให้ชิ้นส่วนหลักของผลิตภัณฑ์หลุดออกมา, หล่น และทำให้เกิดการบาดเจ็บได้

ตรวจสอบเครื่องหมาย +- บนเบดเดอรัให้เรียบร้อยก่อนใส่

เพราะอาจเป็นสาเหตุให้ของเหลวในเบดเดอรัรั่วซึม เกิดความร้อน แดงหรือเกิดเปลวไฟ

เมื่อไม่ใช้งานเป็นเวลานาน ให้เอาเบดเดอรัออกจากรีโมทคอนโทรล

เพราะอาจเป็นสาเหตุให้ของเหลวในเบดเดอรัรั่วซึมได้

กรุณาเดินสายไฟตามข้อกำหนดของผลิตภัณฑ์นี้ (กระแสไฟฟ้า 10 A หรือมากกว่า, AC 220-240 V (50 Hz / 60 Hz))

*แหล่งจ่ายไฟและกำลังไฟที่ใช้จะระบุอยู่บนฉลากของผลิตภัณฑ์นี้

ความยาวสายไฟ 1.2 ม

ตรวจสอบว่าเต้ารับอยู่ในตำแหน่งที่เหมาะสมกับความยาวนี้ กรณีติดตั้งไปนี้ อาจทำให้ประสิทธิภาพการรับสัญญาณของรีโมทคอนโทรลเปลี่ยนแปลงไป แม้จะใช้รีโมทคอนโทรลสั่งงาน แต่ตัวเครื่องอาจจะไม่ตอบสนอง

- ขนาดของห้อง หรือตำแหน่งของอุปกรณ์ไม่เป็นไปตาม

เงื่อนไขขนาดของห้อง / อุปกรณ์

- หากสีของเพดานหรือผนังเป็นสีเข้มเกินไป รวมทั้ง รูปร่างหรือวัสดุต่างๆที่ไม่เป็นไปตามเงื่อนไข



- หากมีชิ้นวางหรือตู้ที่ผนังด้านหลังตัวเครื่อง

- หากอยู่ภายใต้แสงประเกศอินฟราเรด กรุณาเปลี่ยนตำแหน่งการติดตั้งของ

รีโมทคอนโทรล หรือตรวจสอบผนังฝั่งตรงข้าม

Chú ý về an toàn

Trước khi lắp đặt, hãy chắc chắn rằng đã đọc chú ý về an toàn này để có thể tuân theo đúng các hạng mục chú ý, cảnh báo về an toàn.

Biểu tượng	Ý nghĩa
 Cảnh báo	Biểu tượng này hiển thị rằng nếu sử dụng không đúng cách thì sẽ có nguy cơ gây ra tử vong hoặc gây thương tích nghiêm trọng cho người sử dụng.
 Chú ý	Biểu tượng này hiển thị rằng nếu sử dụng không đúng cách thì sẽ có nguy cơ gây ra thiệt hại về tài sản và thương tích cho người sử dụng.

Cảnh báo

Không sử dụng nguồn điện khác với nguồn điện chỉ định. (AC 220-240 V, 50 Hz/60 Hz)

Do có thể gây ra chập điện, cháy nổ.

Không sử dụng sản phẩm khi dây điện hoặc phích cắm bị hỏng hoặc phích cắm bị lỏng.

Nếu không, có thể sẽ gây ra cháy nổ, điện giật.

Không lắp phích cắm ở bên dưới vị trí cấp nước. Không để ống cấp nước chạm vào phích cắm hoặc ổ điện.

Nếu không, có thể gây ngưng tụ, dẫn đến cháy, điện giật, bong hoặc đoàn mạch.

Không dùng loại nước khác ngoài loại được cho phép theo luật lệ và quy định của khu vực sử dụng.

Chỉ dùng nước sạch.

Không sử dụng nước biển hoặc nước tái chế.

Do có thể gây kích ứng cho da và trực tràng thiết bị.

Không lắp đặt trên các phương tiện chuyển động như xe cộ, tàu thuyền...

Nếu không, có thể gây ra các sự cố cháy nổ, điện giật, chập điện.

Bệ ngồi, nắp đậy hoặc thân sản phẩm có thể bị lỏng, bung ra, rơi xuống gây bị thương cho con người.

Không làm bất cứ điều gì có thể làm hỏng dây nguồn hoặc phích cắm.

Đối với dây nguồn thì không được đập, kéo căng, xoắn, cố uốn, làm xước, gia công, làm nóng dây, không đặt vật nặng đè lên dây, buộc hay gài bất cứ thứ gì vào dây.

Nếu dây bị trầy xước mà cứ để nguyên như vậy sử dụng thì có thể sẽ gây ra cháy nổ, điện giật, sinh nhiệt, chập điện.

Không sử dụng ổ cắm vượt quá khả năng chịu tải của nó.

Cắm quá nhiều phích cắm vào một ổ điện, chẳng hạn như bộ chia ổ điện, có thể gây cháy do thiết bị quá nóng.

Hãy chắc chắn rằng đã cắm dây điện (C-2) hết mức vào ổ cắm điện trên tường (C-2-1).

Nếu không, có thể sẽ gây ra cháy nổ, điện giật.

Đảm bảo nguồn điện được kết nối chính xác.

Nếu không, có thể sẽ gây ra cháy nổ, điện giật.

Luôn luôn sử dụng ổ cắm điện nối đất và nó phải được nối với át tô mát nối đất (30 mA trở xuống)

Khi tháo phích cắm thì cầm vào phích cắm chứ không cầm vào dây.

Không được tháo bằng cách kéo dây.

Nếu kéo căng dây có thể sẽ làm hỏng hóc dẫn đến cháy nổ, phát nhiệt.

Hãy xác nhận rằng phích cắm điện đã được xử lý chống thấm nước bằng cao su silicone.

Nếu không tiến hành xử lý chống thấm nước thì có thể sẽ gây ra cháy nổ, điện giật.

* Trường hợp phích cắm không được xử lý chống thấm nước, hãy liên hệ đến cửa hàng đã lắp đặt để được xử lý.

Sản phẩm này là đồ điện tử nên không được lắp đặt ở những vị trí dễ bị nước ngấm vào hoặc nơi có độ ẩm lớn để tạo giọt nước bám vào bề mặt sản phẩm. Trường hợp sử dụng ở trong phòng tắm thì hãy lắp quạt thông gió hoặc tạo lỗ thông gió để không khí có thể lưu thông bên trong phòng tắm.

Nếu không, có thể sẽ gây ra cháy nổ, điện giật.

Nếu dây điện bị hỏng hóc, để tránh nguy hiểm, hãy trao đổi với nhân viên có chuyên môn hoặc bên sửa chữa của nhà cung cấp để được thay thế.

Luôn kết nối sản phẩm với nguồn nước lạnh.

Nếu kết nối với nguồn nước nóng thì có nguy cơ gây bỏng, hoặc là gây hỏng hóc thiết bị.

Khi lắp đặt sản phẩm này, hãy tuân thủ theo các quy định về lắp đặt của từng quốc gia.

Kiểm tra xem dây nối đất đã được lắp đặt phù hợp chưa.

Với dây nối đất, sử dụng dây đồng có điện trở nối đất tối đa là 100 Ω và đường kính tối thiểu 1,6 mm.

Việc không nối đất phù hợp có thể dẫn tới điện giật nếu thiết bị hỏng hóc rò điện.

* Nếu chưa có, hãy yêu cầu nhà thầu thi công lắp đặt dây nối đất.

Chú ý về an toàn (Tiếp tục)

Cảnh báo

Xác nhận hệ thống điện được lắp đúng (Cực L: dương, Cực N: trung tính).

Hệ thống điện sai có thể dẫn đến thiết bị không hoạt động.

Phải lắp đặt toàn bộ át tô mát cho các dây cố định.

Chú ý

Phải lắp đặt tuân thủ theo sách hướng dẫn lắp đặt.

Nếu lắp không đúng, có thể sẽ gây ra rò nước, điện giật, cháy nổ.

Không nhấc sản phẩm lên bằng cách nắm vào nắp hoặc bệ ngồi.

Nếu không, phần thân sản phẩm bị tuột, rơi ra có thể sẽ gây ra thương tích.

Không bẻ gập, làm bẹp dây cấp nước hay làm hỏng dây bằng các vật sắc nhọn.

Nếu không, có thể sẽ gây ra rò nước.

Không được tháo lọc nước kiêm nút bịt khi van dừng vẫn còn đang ở trạng thái mở.

Nếu không, có thể sẽ dẫn đến rò rỉ nước.

- Sản phẩm được phân loại trong nhóm Thiết bị Loại I và phải được nối đất.
- Thiết lập vị trí ổ cắm và bộ ngắt nguồn điện của thiết bị này sao cho có thể với tới được.
- Sử dụng bộ ống cấp nước mới đi kèm với thiết bị này. Không sử dụng lại bộ ống cấp nước cũ.

Chú ý trước khi lắp đặt

Không tiến hành cấp điện và nước cho đến khi hoàn tất toàn bộ các khâu lắp đặt.

Không làm hỏng khớp nối của dây cấp nước (C-5)

Áp suất cấp nước từ 0.05 MPa [ở trạng thái động] đến 0.75 MPa [ở trạng thái tĩnh].

Sử dụng thiết bị trong phạm vi áp suất nói trên.

Nếu áp lực cấp nước thấp sẽ không thể làm sạch lòng bàn cầu.

Nhiệt độ cấp nước là 0-35 °C. hãy đảm bảo sử dụng nước trong phạm vi nhiệt độ này.

Nhiệt độ sử dụng nước xung quanh là 0-40 °C. hãy đảm bảo sử dụng nước trong phạm vi nhiệt độ này.

Không sử dụng ống cấp nước (C-5) khác với những loại được cung cấp kèm theo sản phẩm.

*Do kiểm tra thông nước trước khi xuất hàng, nên sẽ có trường hợp còn đọng nước bên trong sản phẩm.

Tuy nhiên, điều này không có vấn đề gì đối với sản phẩm.

Hãy đi dây phù hợp với thông số kỹ thuật của sản phẩm này (công suất định mức lớn hơn hoặc bằng 10 A, AC 220-240 V (50 Hz / 60 Hz)).

*Nguồn cấp điện, công suất định mức được ghi trên nhãn của sản phẩm này.

Dây nguồn dài 1,2m.

Kiểm tra xem ổ cắm có được đặt ở vị trí thích hợp với chiều dài này không.

Các điều kiện sau có thể ảnh hưởng đến hiệu suất thu sóng của điều khiển từ xa, dẫn đến việc điều khiển từ xa không thể vận hành thân chính.

- Ảnh hưởng do kích thước phòng, cách bố trí đồ đạc, ...

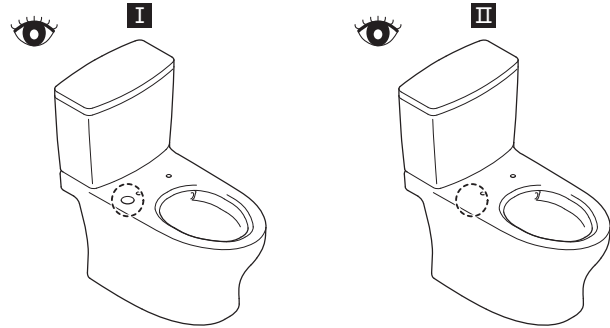
- Ảnh hưởng do màu của trần hoặc tường quá tối hoặc do chất liệu của chúng.

- Khi có giá hoặc tủ được lắp ở mặt tường phía sau thân chính.

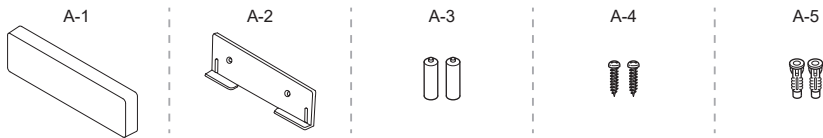
- Khi sử dụng hệ thống chiếu sáng biến tần.

Thay đổi vị trí của điều khiển từ xa hoặc thử chuyển sang tường đối diện.

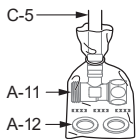
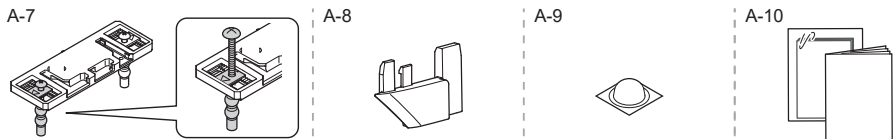
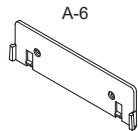
Checking the bowl unit / 변기 타입 확인 / ตรวจสอบโถสุขภัณฑ์ / Kiểm tra loại bồn cầu



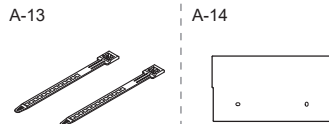
Included parts / 동봉 부품 / ชิ้นส่วนที่หามาด้วย / Phụ kiện đóng kèm



Anti-theft parts for remote control
리모컨 도난 방지 키트
ชิ้นส่วนป้องกันการลักขโมยสำหรับรีโมทคอนโทรล
Phụ kiện chống trộm của điều khiển từ xa



Do not remove this until step ② is completed.
② 까지 제거하지 마십시오.
อย่าถอดออกจนกว่าจะทำการขั้นตอนที่ ② เสร็จ.
Không được bỏ ra đến khi hoàn thành bước ②.



A-6, A-14

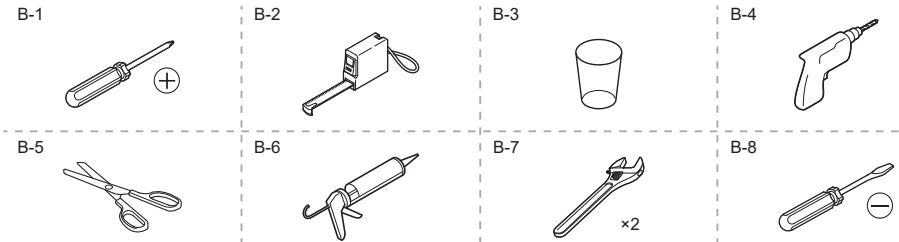
*Please ask home owner if they would like anti-theft parts for remote ask control (A-6) and a remote control operation guide (A-14) installed before starting installation. Please leave the anti-theft kit with the owner if it is not installed.

*리모컨 도난 방지 키트(A-6)와 리모컨의 표시 패널(A-14)은 반드시 고객의 의향을 확인하고나서 설치하십시오. 사용하지 않는 경우에는 반드시 고객에게 전달하십시오.

*กรุณาสอบถามลูกค้าว่าต้องการชิ้นส่วนที่มีโปรแกรมป้องกันการขโมยสำหรับรีโมทคอนโทรล (A-6) และคำแนะนำการใช้งาน (A-14) ซึ่งมีการติดตั้งไว้แล้วหรือไม่ ก่อนเริ่มการติดตั้ง

*Trước khi thao tác lắp đặt hãy hỏi chủ nhà xem có mong muốn lắp đặt phụ kiện chống trộm của bảng điều khiển từ xa (A-6) và hướng dẫn vận hành điều khiển từ xa (A-14) hay không. Nếu không lắp đặt, hãy để chủ nhà giữ bộ chống trộm.

Required items / 설치 공구 / รายการที่ต้องใช้ / Các dụng cụ cần chuẩn bị



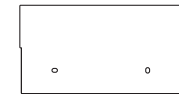
Only if there is a remote control flush function
리모컨 변기 세정 기능이 있는 경우
หากมีฟังก์ชันรีโมทคอนโทรลเท่านั้น
Chỉ sử dụng khi có chức năng điều khiển từ xa



B-9



B-10



B-10

The remote control operation guide (A-14) included with the product is not used, so please discard it. When attaching, be sure to confirm how the customer wants it attached. Select one operation guide (B-10) that was on the remote control, and attach to a wall together with the remote control hanger. If not used, be sure to give it to the customer.

제품에 동봉된 리모컨의 표시 패널(A-14)은 사용하지 않으므로 폐기하십시오. 설치할 때는 반드시 고객의 의향을 확인하고나서 설치하십시오. 리모컨에 있는 표시 패널(B-10)을 함께 선택하여 리모컨 행거와 함께 벽에 설치하십시오. 사용하지 않는 경우에는 반드시 고객에게 전달하십시오.

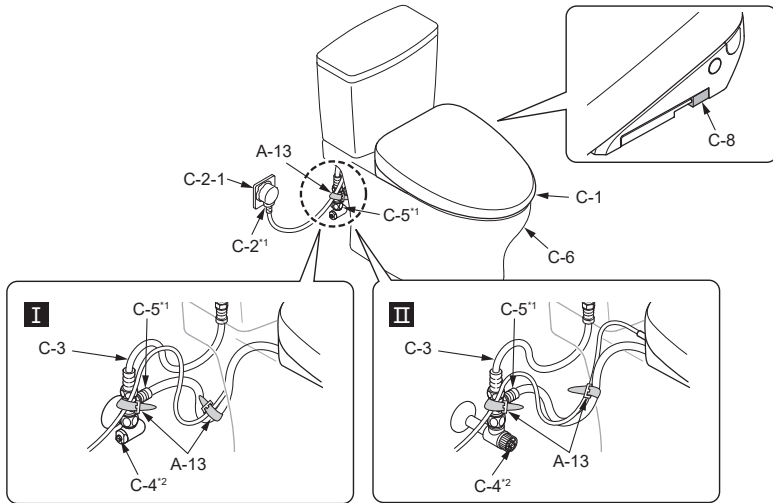
คำแนะนำการใช้งานรีโมทคอนโทรล (A-14) ที่มีมาให้พร้อมกับผลิตภัณฑ์จะไม่ถูกใช้ ดังนั้นกรุณาทิ้งไปเมื่อทำการติดตั้ง กรุณาตรวจสอบเพื่อยืนยันวิธีการติดตั้งที่ลูกค้าต้องการ เลือกคำแนะนำการใช้งานหนึ่ง (B-10) ที่อยู่บนรีโมทคอนโทรล จากนั้นยึดไว้บนผนังพร้อมด้วยแท่นยึดรีโมทคอนโทรล หากไม่ได้ใช้งาน กรุณามอบให้กลับลูกค้า

Vi không cần dùng đến hướng dẫn vận hành điều khiển từ xa (A-14) đóng kèm với sản phẩm, nên xin hãy tháo bỏ. Trước khi gắn, hãy đảm bảo đã xác nhận khách hàng yêu cầu gắn như thế nào.

Chọn một bản hướng dẫn vận hành (B-10) đã có trên bảng điều khiển từ xa và gắn lên tường cùng với móc treo điều khiển từ xa.

Nếu khách hàng không sử dụng, vẫn phải đảm bảo cung cấp hướng dẫn cho khách hàng.

Part diagram / 완성도 / แผนผังแสดงชิ้นส่วน / Bản vẽ hoàn thiện



*1 The shape may be different.

모양이 다를 수 있습니다.

รูปแบบอาจแตกต่างกัน

Có trường hợp sử dụng biến dạng khác.

*2 The shape and location vary depending on the type of bowl unit and tank.

변기나 탱크 종류에 따라 지수전의 모양이나 위치가 다릅니다.

รูปร่างและตำแหน่งแตกต่างกันไปขึ้นอยู่กับประเภทของโถสุขภัณฑ์และตัวถัง

Hình dạng và vị trí khác nhau tùy theo loại kết nước và lòng bồn cầu.

Symbols and their meanings / 표시 의미 / สัญลักษณ์และความหมาย / Ý nghĩa của biểu tượng

Tasks that must be conducted by the installer.
시공자가 반드시 해야 하는 작업입니다.
งานที่ผู้ติดตั้งต้องทำ
Là thao tác phải được thực hiện bởi thợ lắp đặt.

Work flow direction.
작업 순서를 나타냅니다.
ขั้นตอนการทำงาน
Hiện thị thứ tự của thao tác.

Actions that the product should perform automatically.
제품이 자동으로 실시하는 작업입니다.
สิ่งที่ผลิตภัณฑ์ควรทำโดยอัตโนมัติ
Các thao tác trên sản phẩm phải được thực hiện tự động.

Visual confirmation required.
반드시 확인해야 하는 작업입니다.
ต้องทำการตรวจสอบ
Thao tác này cần phải kiểm tra bằng mắt.

Installation procedure / 설치 방법 / ขั้นตอนการติดตั้ง / Trình tự lắp đặt

If product is equipped with auto flush function, be sure to check the flush unit first, followed by this product.

*For easy installation and to prevent damage.

리모컨 번기 세정 기능이 있는 경우... 반드시 1. 번기 세정 유닛, 2. 제품의 순서로 설치하십시오.

※ 설치가 편리하며 흠집을 방지할 수 있습니다.

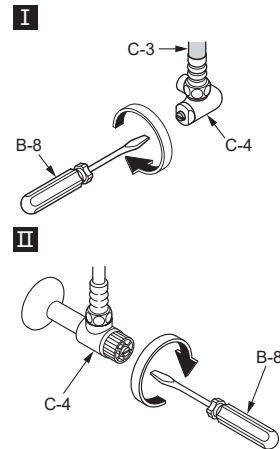
หากผลิตภัณฑ์นี้มีฟังก์ชันชำระล้างอัตโนมัติ กรุณาตรวจสอบอุปกรณ์ชำระล้างก่อน จากนั้นค่อยตรวจสอบผลิตภัณฑ์นี้

*เพื่อให้ติดตั้งได้ง่ายและเพื่อป้องกันความเสียหาย

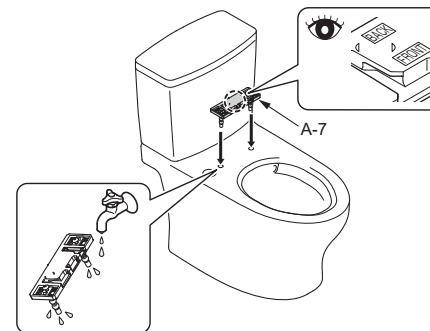
Nếu sản phẩm được trang bị chức năng xả tự động, hãy đảm bảo đã kiểm tra thiết bị xả trước tiên, rồi mới đến sản phẩm này.

*Để cài đặt dễ dàng và để ngăn chặn hư hại.

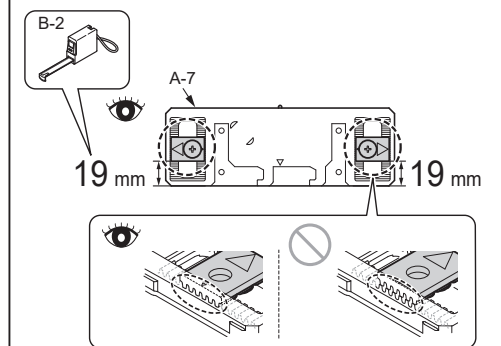
1 Close the water shutoff valve (C-4).
지수전(C-4)을 닫습니다.
ปิดวาล์วปิดน้ำ (C-4)
Đóng van dừng nước (C-4).



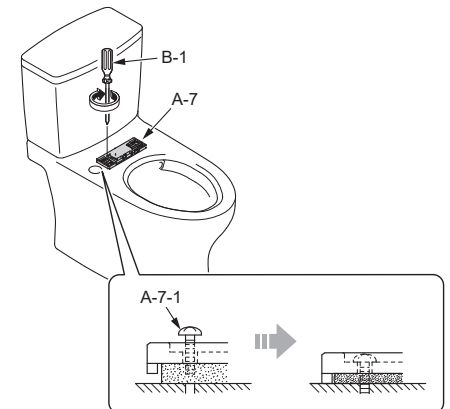
2 I II



3 I II

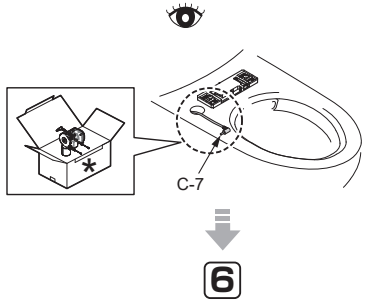


4 I II



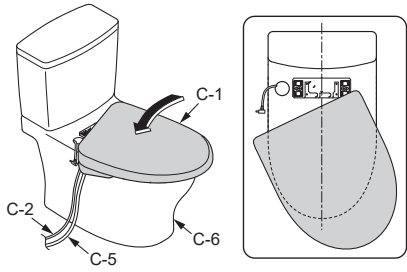
Failure to tighten screw A-7-1 completely will cause moving sideways of C-1.
A-7-1을 단순히 고정하지 않으면, C-1이 좌우로 흔들릴 수 있습니다.
หากไม่ขันสกรู A-7-1 ให้เรียบร้อยจะทำให้ C-1 เคลื่อนไปด้านข้างได้
Việc không siết chặt vít A-7-1 hết mức sẽ khiến C-1 dịch chuyển.

5 I

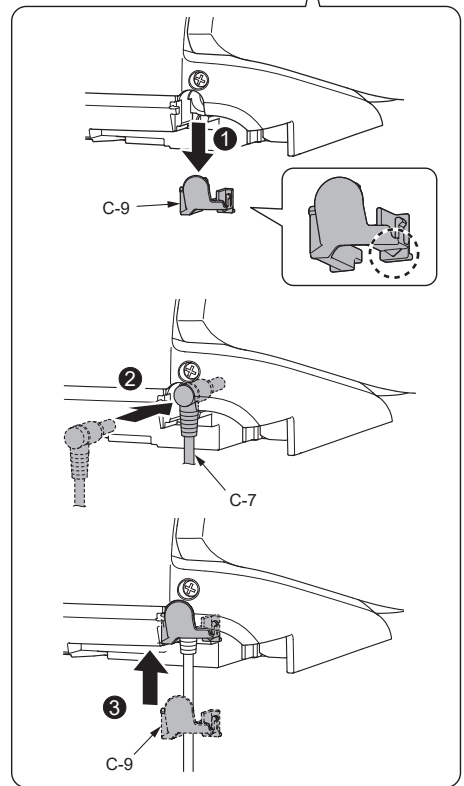
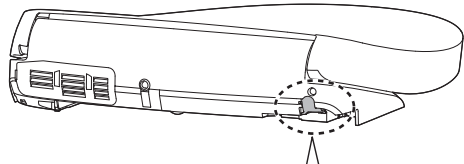


6 I

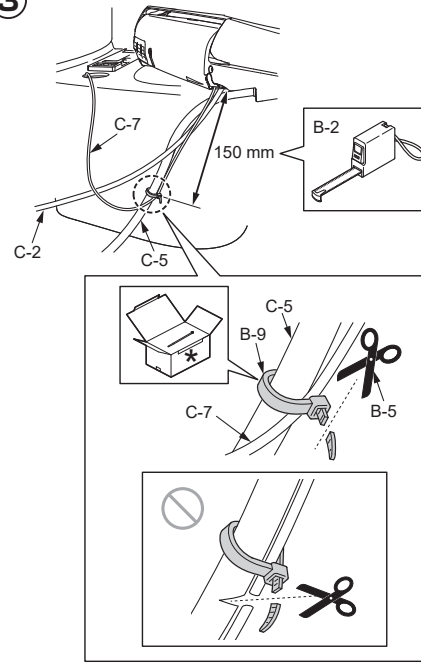
1



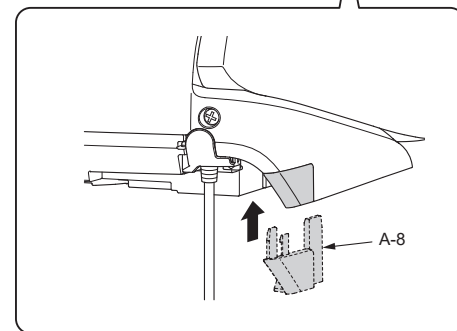
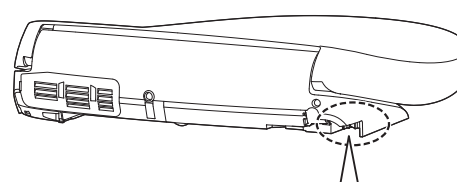
2



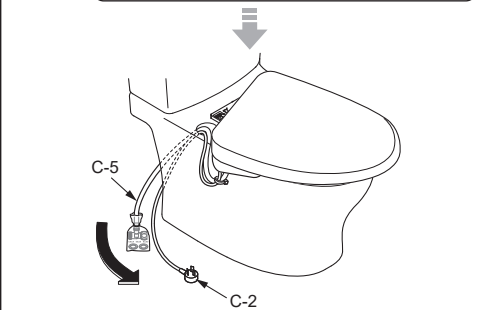
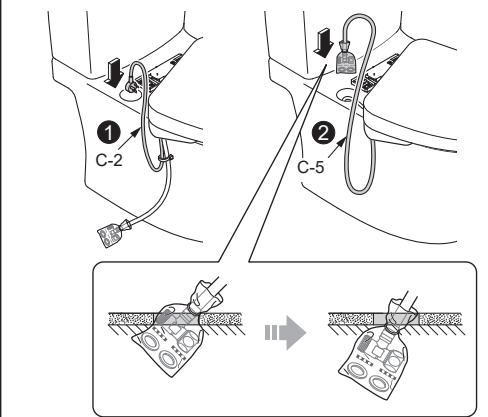
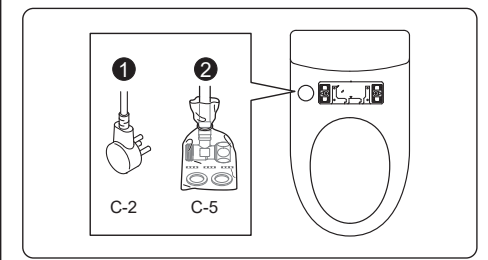
3



7 I



8 I



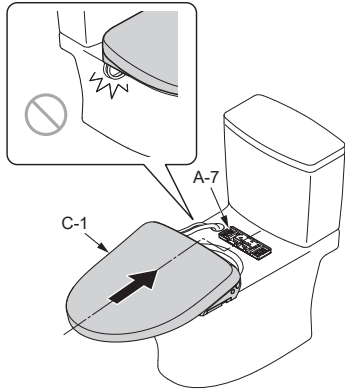
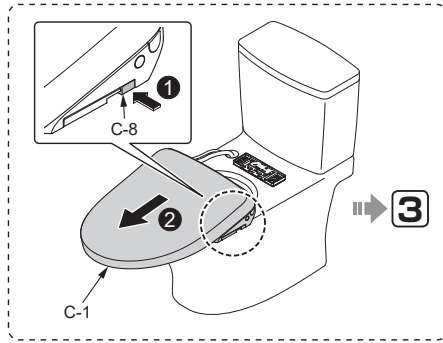
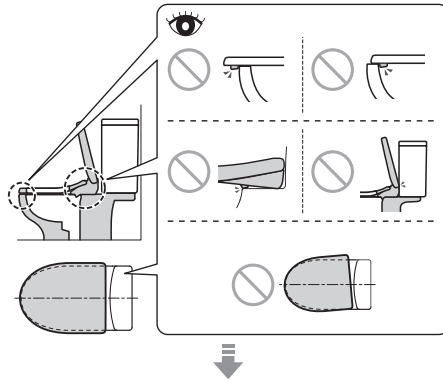
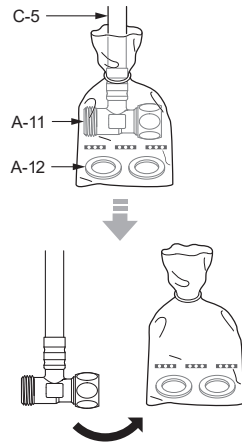
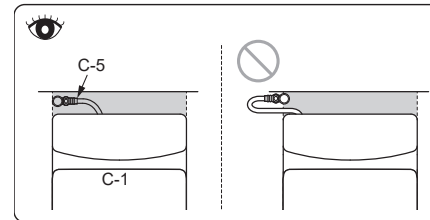
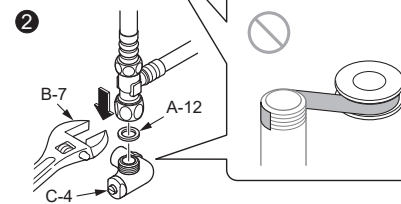
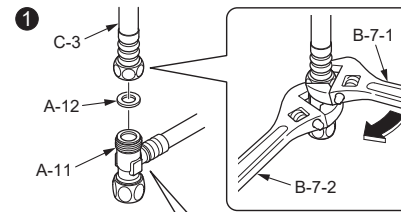
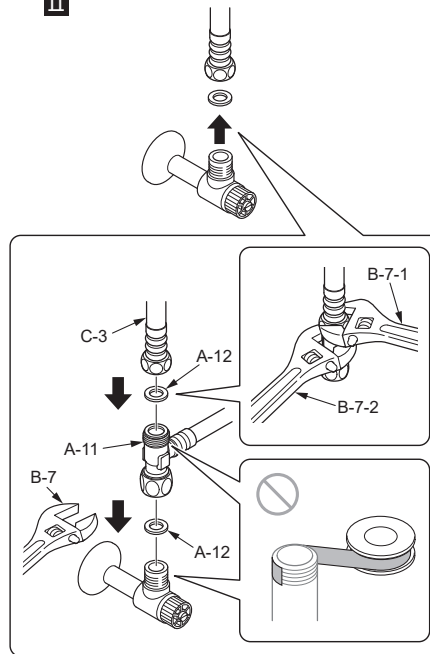
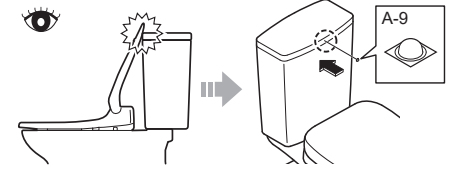
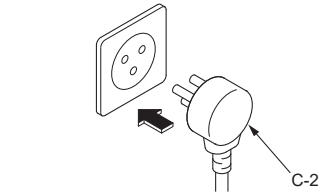
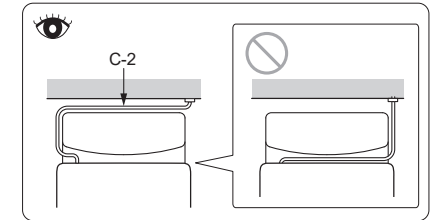
9 I II

Insert C-1 into A-7 until a click sound is heard.
(After C-1 is mounted, make sure that it can not be removed even if it is pulled.)

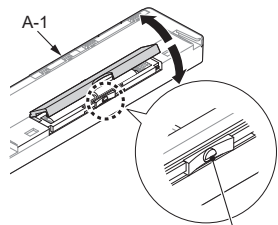
딸깍하는 소리가 날 때까지 C-1을 A-7에 밀어 넣습니다.
(설치 후 C-1을 잡아당겨도 빠지지 않는지 확인하십시오.)

ใส่ C-1 ลงใน A-7 จนกระทั่งได้ยินเสียงคลิก
(หลังจากที่ยึด C-1 แล้ว ต้องตรวจสอบให้แน่ใจว่าไม่สามารถถอดชิ้นส่วนนี้ออกได้แม้ว่าจะพยายามดึงออกมากก็ตาม)

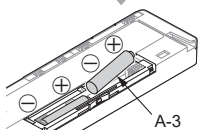
Cắm C-1 vào A-7 cho đến khi có âm thanh "cạch"
(sau khi lắp đặt, hãy xác nhận rằng cho dù có kéo căng C-1 ra cũng không bị tuột ra)

**10 I II****11 I II****12 I****II****13 I II****14 I II****II**

15 I II

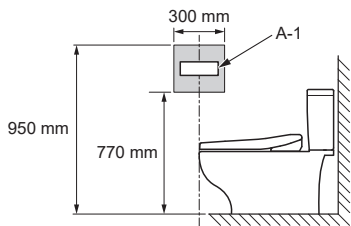


While pressing the protrusion
돌기부를 누르면서
กดส่วนที่ยื่นออกมาเอาไว้
Trong khi ấn phần nhô ra



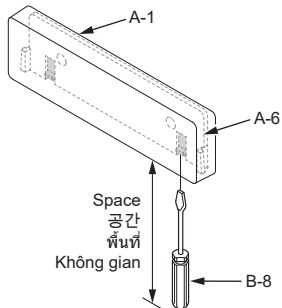
16 I II

Side wall / 측벽 / ผนังด้านข้าง / Tường bên cạnh



When installing anti-theft parts for remote control
리모컨 도난 방지 키트를 설치하는 경우
กรณีติดตั้ง ชิ้นส่วนป้องกันการลักขโมยรีโมทคอนโทรล
Trường hợp lắp phụ kiện chống trộm cho điều khiển từ xa

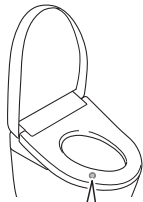
Secure space needed for B-8
B-8를 사용할 수 있도록 공간을 확보하십시오.
ทำให้แน่ใจว่าในพื้นที่นั้นสามารถใส่ B-8 ได้
Đảm bảo không gian có thể sử dụng được B-8



17 I II

Temporarily place the remote control in the position determined in 16 and confirm the signal reception of A-1.
16에서 정한 임의 위치에서, A-1의 수신여부를 확인하십시오.
วางรีโมทคอนโทรลไว้ในจุดที่กำหนดไว้ในข้อ 16 ชั่วคราว และตรวจสอบการรับสัญญาณของ A-1

Đặt tạm vào vị trí chỉ định 16, sau đó hãy tiến hành xác nhận việc nhận tín hiệu của A-1.

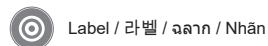


1 Touch the entire label (seat sensor area) with your hand or arm. (Keep touching until 3.)

라벨 전체(착좌 센서)에 손 또는 팔을 닿게 합니다. (3까지 닿은 상태로 두십시오.)

ใช้มือหรือแขนสัมผัสฉลากทั้งหมด (บริเวณเซ็นเซอร์ที่ฝารองนั่ง) (และต่อไปจนกว่า 3)

Giữ tay hoặc cánh tay của bạn tiếp xúc với toàn bộ nhãn (khu vực cảm ứng bệ ngồi) (Không di chuyển tay hoặc cánh tay của bạn ra xa cho đến bước 3.)



Your skin must make direct contact with the sensor due to how it operates.

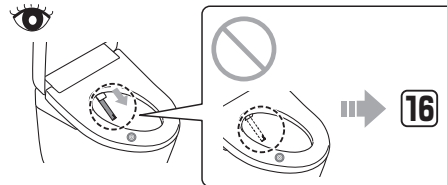
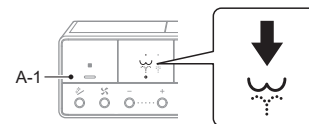
→ Confirm that deodorization starts.
착좌 센서에 피부가 직접 닿도록 하십시오.
→ 탈취가 시작되는지 확인하십시오.

เนื่องจากเป็นเซ็นเซอร์กรุณาให้สัมผัสกับผิวหนังโดยตรง
→ ยืนยันให้แน่ใจว่าการกำจัดกลิ่นเริ่มทำงานแล้ว

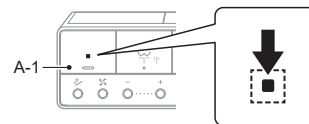
Do tính chất của cảm biến, hãy giữ da của bạn tiếp xúc trực tiếp.

→ Xác nhận rằng việc khử mùi bắt đầu.

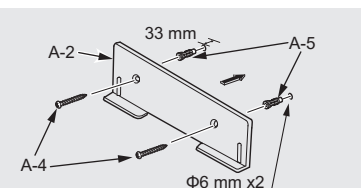
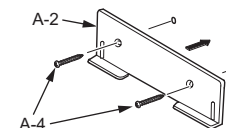
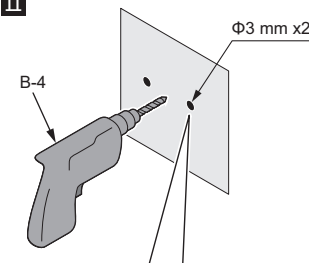
2



3

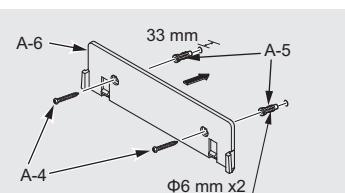
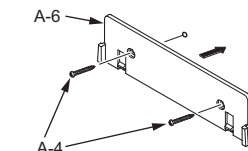


18 I II



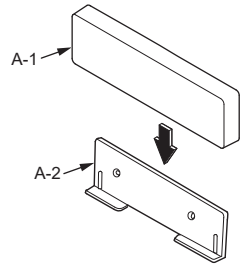
When mounting on a plaster board or tiled wall.
석고 보드나 타일벽의 경우,
กรณีแผ่นยิปซัมและผนังกระเบื้อง
Trường hợp là tường thạch cao hoặc tường gạch men.

Anti-theft parts for remote control
리모컨 도난 방지 키트
ชิ้นส่วนป้องกันการลักขโมยสำหรับ รีโมทคอนโทรล
Phụ kiện chống trộm của điều khiển từ xa.



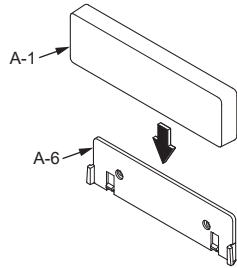
When mounting on a plaster board or tiled wall.
석고 보드나 타일벽의 경우,
กรณีแผ่นยิปซัมและผนังกระเบื้อง
Trường hợp là tường thạch cao hoặc tường gạch men.

19 I II

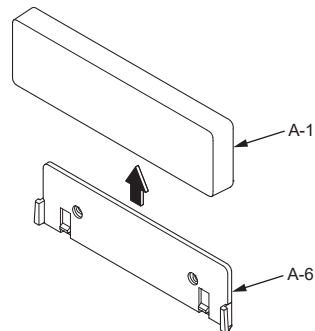
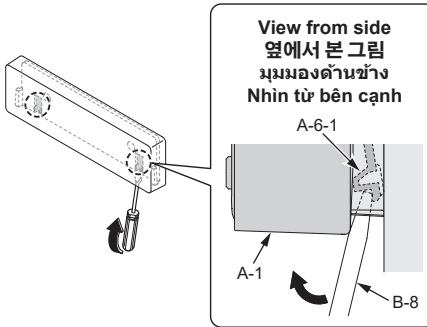
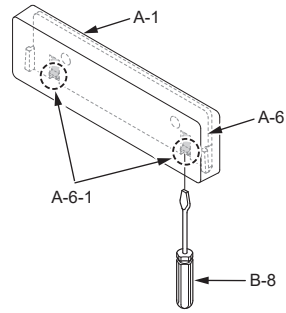


Anchored by magnet.
자석으로 고정됩니다.
ยึดติดด้วยแม่เหล็ก
Cố định bằng nam châm.

Anti-theft parts for remote control
리모컨 도난 방지 키트
ชิ้นส่วนป้องกันการลักขโมยสำหรับรีโมตคอนโทรล
Phụ kiện chống trộm của điều khiển từ xa.

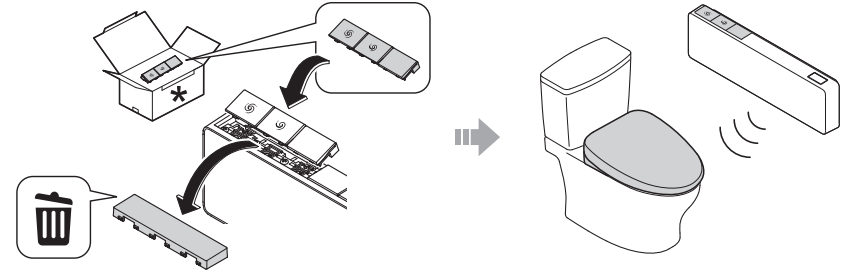


How to remove A-6
A-6 분리 방법
วิธีการถอด A-๖
Cách tháo A-6



20 I II

Only if there is a remote control flush function
리모컨 변기 세정 기능이 있는 경우
หากมีฟังก์ชันรีโมตคอนโทรลเท่านั้น
Chỉ sử dụng khi có chức năng điều khiển từ xa



Depending on the toilet bowl, it may not flush properly unless the remote control is set correctly.
변기 타입에 따라 설정하지 않으면 변기가 정상적으로 세정되지 않을 수 있습니다.
ผลิตภัณฑ์ของชำระล้างได้ไม่เหมาะสมหากไม่ติดตั้งรีโมตคอนโทรลอย่างถูกต้อง ทั้งนี้ขึ้นอยู่กับโถสุขภัณฑ์ด้วย
Tùy thuộc vào bồn cầu, sản phẩm có thể xả nước không đúng cách nếu không thiết lập chính xác điều khiển từ xa.

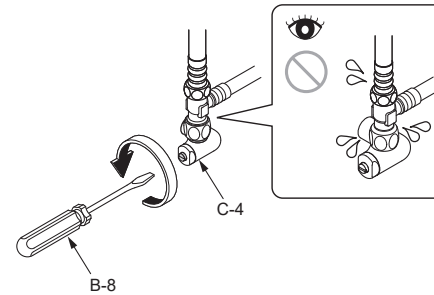


For details, refer to the flush unit installation instructions.
자세한 사항은 변기 세정 유닛 시공설명서를 확인하십시오.
สำหรับรายละเอียด กรุณาดูที่คำแนะนำการติดตั้งอุปกรณ์ชำระล้าง
Để biết chi tiết, hãy tham khảo hướng dẫn cài đặt thiết bị xả.

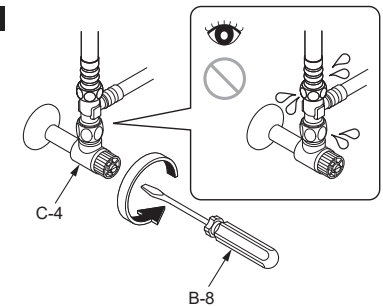
Trial run / 시운전 / การทดสอบการทำงาน / Vận hành thử

21 Open the water shutoff valve (C-4).
지수전(C-4)을 엽니다.
เปิดวาล์วปิดน้ำ (C-4)
Mở van khóa nước (C-4).

I



II



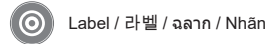
22

1 Touch the entire label (seat sensor area) with your hand or arm. (Keep touching until 3.)

라벨 전체(착좌 센서)에 손 또는 팔을 닿게 합니다. (3 까지 닿은 상태로 두십시오.)

ใช้มือหรือแขนสัมผัสฉลากทั้งหมด (บริเวณเซ็นเซอร์ที่ฝารองนั่ง) (และต่อไปจนกว่า 3.)

Giữ tay hoặc cánh tay của bạn tiếp xúc với toàn bộ nhãn (khu vực cảm ứng bề ngồi) (Không di chuyển tay hoặc cánh tay của bạn ra xa cho đến bước 3.)



Your skin must make direct contact with the sensor due to how it operates.

-Confirm that deodorization starts.

착좌 센서에 피부가 직접 닿도록 하십시오.

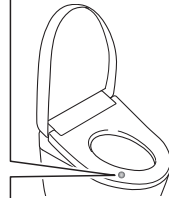
-탈취가 시작되는지 확인하십시오.

เนื่องจากเป็นเซ็นเซอร์กรรณาให้สัมผัสกับผิวหนังโดยตรง

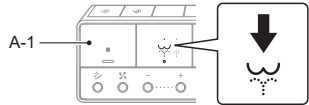
-ยืนยันให้แน่ใจว่าการกำจัดกลิ่นเริ่มทำงานแล้ว

Do tính chất của cảm biến, hãy giữ da của bạn tiếp xúc trực tiếp.

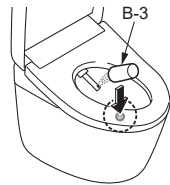
-Xác nhận rằng việc khử mùi bắt đầu.



2



3



4 Move your hand or arm away from the entire label (seat sensor area) as shown in the above figure

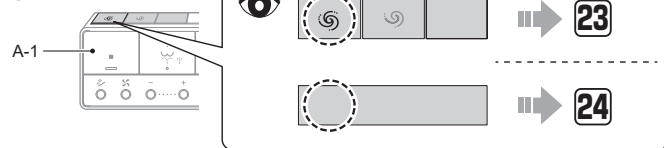
위 그림과 같이 라벨(착좌 센서)에서 손이나 팔을 멀리 떨어뜨립니다.

ขยับมือหรือแขนออกจากเซ็นเซอร์ (บริเวณเซ็นเซอร์ของฝารองนั่ง) ตามที่แสดงในภาพ

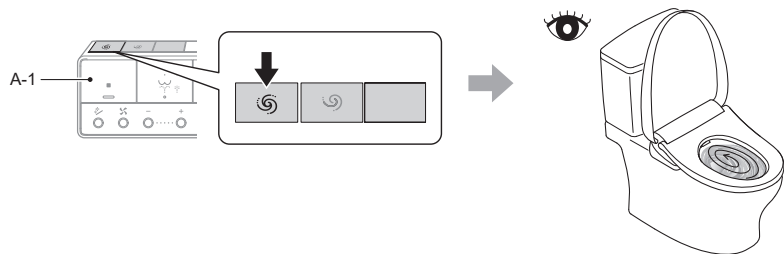
Di chuyển tay hoặc cánh tay của bạn ra xa khỏi toàn bộ nhãn (khu vực cảm ứng bề ngồi) như thể

hiện trong hình ở trên

5

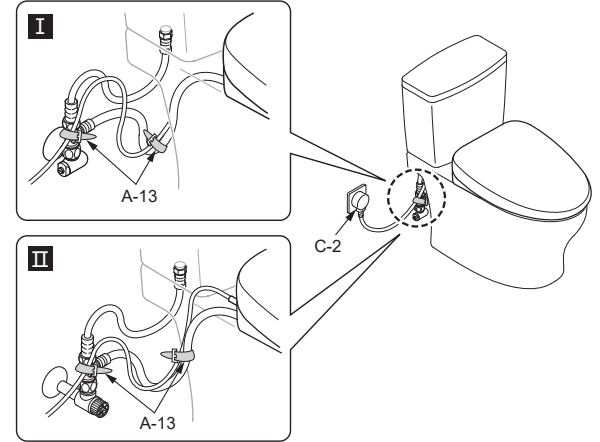
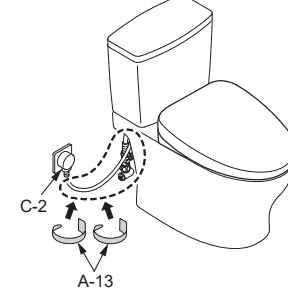


23 I II

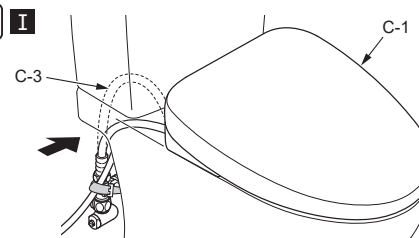


After trial run / 시운전 후 / หลังทดสอบการทำงาน / Sau khi vận hành thử

24 I II



25 I



Place C-3 inside as illustrated.

*C-3 may obstruct C-1 when removing C-1 and removal of C-1 may become difficult.

C-3을 그림과 같이 안쪽으로 밀어 넣습니다.

※C-1을 분리할 때 C-3이 걸려서 분리하기 어려운 경우가 있습니다.

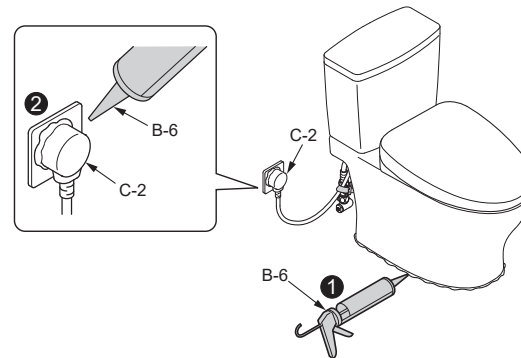
วาง C-3 ที่ด้านในดังที่แสดงในรูป

*เมื่อจะถอด C-1 ชิ้นส่วน C-3 อาจกีดขวาง C-1 และทำให้ถอด C-1 ได้ยาก

Ấn C-3 vào bên trong theo hình minh họa.

*C-3 có thể cản trở C-1, nên việc tháo và di chuyển C-1 có thể khó khăn.

26 I II



Installation complete
설치 완료
การติดตั้งเสร็จสมบูรณ์
Lắp đặt hoàn tất

Information for the installer / 시공업자님께 드리는 부탁 말씀
ข้อมูลสำหรับผู้ติดตั้ง / Thông tin dành cho cửa hàng lắp đặt

취급설명서의 보증서에 필요사항을 기입한 후 반드시 고객에게 전달하십시오.

Please explain the features and operation of the product to the customer.

제품의 기능, 사용방법에 대해 고객에게 설명하십시오.

อธิบายคุณสมบัติต่างๆ และการทำงานของผลิตภัณฑ์ให้ลูกค้าทราบ

Hãy giải thích cho khách hàng về cách sử dụng và tính năng của sản phẩm.

If the product will not be used for a long time (like when it is installed in an unoccupied, newly constructed building),

- Turn off power at the breaker on the distribution board or disconnect the power plug.

- To avoid leakage, remove the batteries from the remote control.

신축이나 공사 등으로 고객에게 제품이 전달되기까지 시간이 걸릴 경우

- 분전반의 차단기를 끄거나 전원 플러그를 뽑으십시오.

- 건전지의 누액을 방지하기 위해 리모컨에서 건전지를 분리하십시오.

หากจะไม่ใช้งานผลิตภัณฑ์เป็นเวลานาน (เช่น เมื่อติดตั้งผลิตภัณฑ์ในตึกที่เพิ่งสร้างเสร็จ และยังไม่มีการใช้งาน)

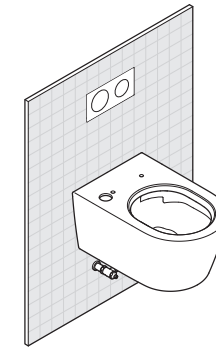
- ให้สับเบรกเกอร์ไฟบนแผงไฟไปที่ตำแหน่งปิด (OFF)

- ถอดแบตเตอรี่ออกจากรีโมทคอนโทรลเพื่อป้องกันไม่ไห้สารละลายในแบตเตอรี่รั่วออกมา (รุ่นที่ใช้รีโมท)

Nếu không sử dụng sản phẩm trong thời gian dài (chẳng hạn như lắp đặt tại nơi chưa có người ở, lắp đặt trong tòa nhà mới xây) thì phải:

- Ngắt cầu dao trên bảng điều khiển hoặc rút phích cắm nguồn điện.

- Để tránh rò rỉ, hãy tháo pin ra khỏi điều khiển. (Loại có điều khiển từ xa)



Flow of installation (See these instructions regarding [] parts.)

시공 순서 ([] 부분은 본 설명서를 확인하십시오.)

ขั้นตอนการติดตั้ง (โปรดดูคำแนะนำที่เกี่ยวข้องกับชิ้นส่วน [])

Lưu trình lắp đặt (Xem các hướng dẫn bên dưới liên quan đến phụ kiện trong khung [] .)

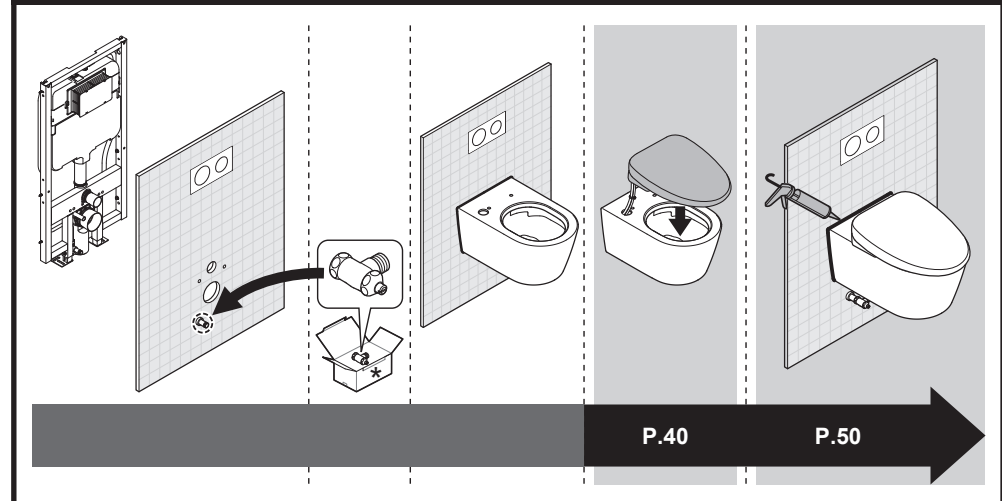




Table of contents / 목차 / สารบัญ / Mục lục

Safety Precautions / Precautions before installation(EN) 29	안전상의 주의 / 설치 전의 주의 (KO) 31
ข้อควรระวังด้านความปลอดภัย / ข้อควรระวังก่อนการติดตั้ง(TH) 33	Chú ý về an toàn / Chú ý trước khi lắp đặt..... (VI) 35
Included parts / 동봉 부품 / ชิ้นส่วนที่ใหม่ด้วย / Phụ kiện đóng kèm..... 37	
Required items / 설치 공구 / รายการที่ต้องใช้ / Các dụng cụ cần chuẩn bị..... 38	
Part diagram / 완성도 / แผนผังแสดงชิ้นส่วน / Bản vẽ hoàn thiện..... 39	
Installation procedure / 설치 방법 / ขั้นตอนการติดตั้ง / Trình tự lắp đặt 40	
Remote control mounting / 리모컨 설치 / การติดตั้งรีโมทคอนโทรล / Lắp điều khiển từ xa 45	
Trial run / 시운전 / การทดสอบการทำงาน / Vận hành thử 48	
After trial run / 시운전 후 / หลังทดสอบการทำงาน / Sau khi vận hành thử 50	
When the product does not operate well / 정상적으로 작동하지 않을 때 เมื่อผลิตภัณฑ์ทำงานได้ไม่ดี / Khi sản phẩm vận hành không tốt..... Back cover / 뒷표지 / ฝาปิดด้านหลัง / Ná sau	
Information for the installer / 시공업자님께 드리는 부탁 말씀 / ข้อมูลสำหรับผู้ติดตั้ง / Thông tin dành cho cửa hàng lắp đặt..... Back cover / 뒷표지 / ฝาปิดด้านหลัง / Ná sau	

The illustrations in the installation guide may differ from the actual product.
시공설명서의 그림은 실제 제품과 다를 수 있습니다.
ภาพประกอบในคำแนะนำในการติดตั้งนั้น อาจจะมีแตกต่างกับผลิตภัณฑ์จริง
Hình ảnh trong hướng dẫn lắp đặt có thể khác với sản phẩm thực tế

Safety Precautions

Be sure to carefully read this "Safety Precautions" document before beginning installation.
Please comply with all safety warnings and precautions.

Symbol	Meaning
 WARNING	This symbol indicates misuse may result in death or serious injury.
 CAUTION	This symbol indicates misuse may result in injury or physical damage.

 **WARNING**

Do not use this product with any power supply other than the one specified. (AC 220–240 V, 50 Hz/60 Hz)

Doing so may result in heat or fire.

Do not use the product when the power cord or power source connection is damaged or the power source connection is loose.

Doing so may result in electrical shock or fire.

Do not install a power connecting part directly beneath a water supply location. Do not allow the water supply hose to touch the power connecting part.

Doing so may cause condensation resulting in a fire, electrical shock, heat or a short.

Do not use other water than allowed by the laws and ordinances of the region of use.

Only use potable water. Do not use seawater or recycled water.

Doing so may cause irritation to the skin and malfunction.

Do not install the product on moving vehicles such as wheeled vehicles or boats.

Doing so may cause fire, electric shock, short circuit or malfunction.

The toilet seat, toilet lid, main unit, or other parts may come loose and fall off, resulting in injury.

Do not do anything that may damage the power cord or power source connection.

Do not strike, yank, twist, excessively bend, damage, alter, or heat any power cord or power source connection. Also, do not place anything heavy on, bind or pinch them.

Using a damaged power cord may result in a fire, electrical shock, heat or a short.

Do not exceed the rated capacity of your electrical outlets or wiring equipment.*1

Using a single outlet to supply power to many devices by using an extension cord or other adapters may result in fire from excess heat.

Be sure to plug the power cord (C-2) all the way into the wall socket (C-2-1).*1

Doing so may result in electrical shock or fire.

Confirm that the power source connection is connected correctly.

Doing so may result in electrical shock or fire.

Always use a grounded electrical outlet and that is connected to a ground fault circuit interrupter (30 mA or less).

To unplug, hold the power plug, not the power cord.*1 Do not unplug by pulling the power cord.*1

Pulling on the power cord may cause damage and result in fire or heat.

Make sure to waterproof the power plug by using a silicon rubber sealant.*1

A power plug that has not been waterproofed may cause fire or electric shock.

* If the power plug is not waterproof, ask the installer to waterproof it.

This is an electrical product. Do not locate it anywhere water is likely to get on it. Do not locate the product in a humid environment where water may form on the surface of the product.

When using the product in a bathroom, install a ventilation fan or opening, so that the bathroom has sufficient airflow to avoid extreme humidity.

Failure to do so may result in electrical shock or fire.

If the power cord is damaged, avoid danger by having the manufacturer's repair department or equivalent specialist replace it.

Always connect the product to the cold water supply.

Connecting to hot water supply may result in burns and equipment damage.

When installing this product, comply with the regional codes and standards on installation work and electrical work.

Check that an appropriate ground is installed.

For the ground, use copper wire with a ground resistance of 100 Ω max. and a diameter of 1.6 mm min.

If the ground is not installed, if there is a breakdown or electrical current leak, the lack of a ground could cause electrical shock.

* If there is no ground installed, ask the contractor who did the installation to install the ground.

*1 If the product has a power plug.

*2 If the product does not have a power plug.

Safety Precautions (Continued)

⚠ WARNING

Confirm that wiring is connected correctly (L terminal: Live, N terminal: Neutral).

Incorrect wiring may cause mechanical failure.

All-pole disconnection incorporated in the fixed wiring shall be provided.

⚠ CAUTION

Install the Washlet properly according to the Installation Guide.

Improper installation may result in water leakage, electric shock or fire.

Do not lift the product by the toilet seat or toilet lid.

Doing so may result in the product main body dislodging, falling and causing injury.

Do not fold or crush the water supply hose; do not damage by cutting with a sharp object.

Doing so may result in water leakage.

Do not remove the drain plug with water supply filter while the shutoff valve is open.

Doing so will result in water leakage.

Push the product main body securely onto the base plate. After pushing the product main body until a click sound is heard, pull it slightly toward you to make sure that the product does not detach.

Not doing so may result in the product main body dislodging, falling and causing injury.

Make sure the plus and minus signs on the batteries are aligned correctly before inserting them.

Otherwise, the batteries may leak fluid, generate heat, rupture, or ignite.

When the product will not be used for a long time, remove the batteries from the remote control.

Failure to do so may cause the batteries to leak fluid.

- This product is classified as Class I Equipment and must be grounded.
- Install this equipment so that the electrical outlet and power breaker are accessible.
- Use the new hose set included with this equipment. Do not reuse an old hose set.

Precautions before installation

Do not turn on the electricity and water supply for the product until installation work is complete.

Do not damage the connection components on the water supply hose (C-5).

The water supply pressure ranges from 0.05 MPa <dynamic> - 0.75 MPa <static>.

Use the unit within the said pressure range.

If the water supply pressure is low, toilet bowl cleaning may not be performed.

The temperature of the water supply should be within a range of 0 to 35 °C. Make sure the temperature is within this range.

Working ambient temperature is within the range of 0 to 40 °C. Make sure the temperature is within this range.

Do not use water supply hoses (C-5) other than those supplied with the product.

*Because a water flow test is conducted on each product at the factory, water may remain inside the product.

This water does not indicate a problem with the product.

Perform wiring correctly according to this product's specifications (rated power 10 A or more, 220–240 V AC (50 Hz/60 Hz).

*Power supply, rated power consumption is indicated on the label of this product.

The power cord is 1.2 m (For singapore, 5.0 m) long. Check that the outlet is provided in a location appropriate for this length.

The following conditions may affect the reception performance of the remote control, resulting in it not being able to operate the main unit.

- When the room size, the layout of fixtures etc., interferes.
- When the color of the ceiling or walls is too dark, or their shape or material interferes.
- When there is a rack or cabinet installed on the wall behind the main unit.
- When an inverter lighting system is used. Change the position of the remote control or try from the opposite wall.

안전상의 주의

설치 전에 반드시 「안전상의 주의」를 잘 읽으신 후 안전상의 경고, 주의사항을 반드시 준수하십시오.

그림 표시	의미
⚠ 경고	잘못 취급하면 사람이 사망이나 중상을 입을 가능성이 예상되는 내용을 표시합니다.
⚠ 주의	잘못 취급하면 사람이 부상이나 물적 손해가 발생할 가능성이 예상되는 내용을 표시합니다.

⚠ 경고

지정된 전원(교류 220 V, 60 Hz) 이외에는 사용하지 마십시오
화재나 발열이 발생할 수 있습니다.

전원 코드나 전원의 연결부가 손상되었거나, 전원의 연결 부가 느슨한 상태에서는 사용하지 마십시오
화재나 발열이 발생할 수 있습니다.

급수 위치의 바로 아래에 전원의 연결부를 설치하거나, 급수 호스와 전원의 연결부를 접촉하지 마십시오
결로 등으로 인해 화재, 감전, 발열, 단락이 발생할 수 있습니다.

사용하는 지역의 법령 규척에 준수하여 음용수 이외는 사용하지 마십시오
바닷물 · 재생수도 사용하지 마십시오
피부 염증을 일으키거나 기기가 고장날 수 있습니다.

차량, 선박 등 이동 수단에는 설치하지 마십시오
화재, 감전, 단락, 고장이 발생할 수 있습니다.
시트, 시트커버 등이 분리되어 낙하하면 부상을 입을 수 있습니다.

전원 코드나 전원의 연결부를 파손하지 마십시오
전원 코드나 전원의 연결부를 세게 내려치지 않음, 잡아당기지 않음, 비틀지 않음, 무리하게 구부리지 않음, 파손시키지 않음, 가공하지 않음, 가열하지 않음, 무거운 물건을 올려놓지 않음, 묶지 않음, 틈새에 끼우지 않음
파손된 상태로 사용하면 화재, 감전, 발열 및 단락이 발생할 수 있습니다.

콘센트는 정격을 초과하여 사용하지 마십시오
문여발 배선 등으로 정격을 초과하면 발열에 의해 화재가 발생할 수 있습니다.

전원 플러그(C-2)는 콘센트(C-2-1)에 확실하게 꽂으십시오
화재나 감전이 발생할 수 있습니다.

전원의 연결부가 빠르게 연결되어 있는지 확인하십시오
화재나 감전이 발생할 수 있습니다.

반드시 접지된 콘센트 또는 단자대를 사용하여 누전 차단기(30 mA이하)에 연결하십시오

전원 플러그를 뺄 때는 전원 코드가 아닌 전원 플러그를 잡으십시오
전원 코드를 잡아당겨 전원 플러그를 빼지 마십시오
전원 코드를 잡아당기면 전원 코드가 파손되어 화재나 발열이 발생할 수 있습니다.

전원 플러그가 실리콘으로 방수 처리되어 있는지 확인하십시오
방수 처리를 하지 않으면 화재나 감전이 발생할 수 있습니다.
※방수 처리가 되어 있지 않은 경우에는 시공 업체에 의뢰하십시오.

본 제품은 전기 제품이며 물이 들어가기 쉬운 장소 또는 습기가 많은 장소에는 설치하지 마십시오
욕실 안에서 사용하는 경우에는 환풍기 또는 환기구를 설치하여 욕실 안에 공기가 잘 통하도록 하십시오
화재나 감전이 발생할 수 있습니다.

만일 전원 코드가 파손되었다면 위험 방지를 위해 반드시 제조사의 수리 전문가에게 의뢰하여 교환하십시오

제품은 반드시 냉수 공급부에 연결하십시오
화상 또는 기기 고장이 발생할 수 있습니다.

본 제품을 설치할 때는 각 나라의 설치 공사 제약 조건에 따르십시오

접지가 빠르게 되어 있는지 확인하십시오
접지 저항이 100 Ω 이하이며, 직경이 1.6 mm 이상인 동선을 사용하여 접지합니다.
접지하지 않으면 고장 또는 누전 시 감전이 발생할 수 있습니다.
※접지가 되어 있지 않은 경우에는 시공 업체에 의뢰하십시오.

안전상의 주의 (계속)

⚠ 경고

배선이 바르게 연결(극 : 라인, N극 : 뉴트럴)되어 있는지 확인하십시오
기기가 고장이 발생할 수 있습니다.

전원 설비 측에 전원 차단 장치를 설치하십시오

⚠ 주의

시공설명서에 따라 바르게 설치하십시오
바르게 설치하지 않으면 누수, 감전, 화재가 발생할 수 있습니다.

시트 · 시트 커버를 잡고 제품을 들어올리지 마십시오
본체가 분리되어 낙하하여 부상을 입을 수 있습니다.

급수 호스를 구부리거나 찌그러뜨리거나 커터 등으로
출입을 내지 마십시오
누수가 발생할 수 있습니다.

지수전을 연 채로 급수필터 물 빼기 밸브를 분리하지 마십시오
물이 분출되어 나옵니다.

본체는 베이스 플레이트에 확실하게 밀어 넣으십시오
「딸깍」 소리가 날 때까지 밀어 넣은 후, 가볍게 앞으로
잡아 당겨 본체가 분리되지 않는지 확인하십시오
본체가 분리되어 낙하하여 부상을 입을 수 있습니다.

건전지의 +, - 표시를 확인하여 넣으십시오
건전지의 누액, 발열, 파열, 발화가 발생할 수 있습니다.

장기간 사용하지 않을 때는 리모컨에서 건전지를 분리하십시오
건전지 누액이 발생할 수 있습니다.

- 이 기기는 클래스 I 에 속하기 때문에 접지해야 합니다.
- 이 기기의 출력플러그나 전원차단기는 손이 닿는 곳에 놓아 두십시오.
- 이 기기에 부착되어 있는 새로운 호스 세트를 사용하고 낡은 호스 세트는 재사용 하지 마십시오.



설치 전의 주의

제품에 통전 및 통수는 설치작업을 모두 마친 후에 실시하십시오.
급수호스(C-5)의 선단 연결부를 파손하지 마십시오.
급수압력 범위는 0.05 MPa<유동 시>-0.75 MPa<정지 시>입니다.
이 압력 범위에서 사용하십시오.
급수압이 낮으면 번기가 설정되지 않는 경우가 있습니다.
급수온도는 0-35 °C 입니다.
이 온도 범위에서 사용하십시오.
주위 사용 온도는 0-40 °C 입니다.
이 온도 범위에서 사용하십시오.
동봉된 급수호스(C-5) 외에는 사용하지 마십시오.
※출하 전에 통수 검사를 하기 때문에 제품 안에 물이 남아 있는 경우가 있으나, 제품에는 문제가 없습니다.

본 제품의 사양(정격 10 A이상, 교류 220 V (60 Hz))에 적합하게 배선하십시오.
※전원이나 정격 소비 전력은 본 제품 라벨에 표시되어 있습니다.
전원 코드의 길이는 1.8 m입니다.
콘센트가 전원 코드 길이에 적합한 위치에 있는지 확인하십시오.
다음 조건은 리모컨의 수신 성능에 영향을 미쳐 리모컨을 조작해도 본체를 작동시키지 못할 수 있습니다.
- 방의 크기, 기구의 배치 등의 조건이 맞지 않는 경우
- 천장이나 벽의 색상이 너무 어둡거나 모양이나 재질 등의 조건이 맞지 않는 경우
- 본체 뒤의 벽에 선반이나 캐비닛이 설치된 경우
- 인버터 조명에 있는 경우
리모컨의 설치 위치를 바꾸거나 반대편에서 다시 시도하십시오.

ข้อควรระวังด้านความปลอดภัย

กรุณาอ่าน "ข้อควรระวังเพื่อความปลอดภัย" นี้อย่างละเอียดก่อนการติดตั้งรวมถึงปฏิบัติตามคำแนะนำและข้อควรระวังเพื่อความปลอดภัย

สัญลักษณ์	ความหมาย
 คำเตือน	สัญลักษณ์นี้บ่งชี้ว่าการใช้งานผิดอาจทำให้เกิดการบาดเจ็บร้ายแรงหรือถึงแก่ความตายได้
 ข้อควรระวัง	สัญลักษณ์นี้บ่งชี้ว่าการใช้งานผิดอาจทำให้เกิดการบาดเจ็บหรือผลิตภัณฑ์เกิดความเสียหายทางกายภาพได้

⚠ คำเตือน

อย่าต่อผลิตภัณฑ์นี้เข้ากับแหล่งจ่ายไฟแบบอื่นนอกเหนือจากที่ระบุไว้ (AC 220-240 V, 50 Hz/60 Hz)
มิฉะนั้น อาจทำให้เกิดความร้อนสูง หรือไฟไหม้ได้

อย่าใช้ผลิตภัณฑ์นี้เพื่อสายไฟหรือปลั๊กไฟเสียหาย หรือปลั๊กไฟหลวม

มิฉะนั้น อาจทำให้เกิดไฟฟ้าช็อตหรือไฟไหม้ได้

อย่าติดตั้งส่วนเชื่อมต่อไฟฟ้าใด ๆ โดยตรง และอย่าให้สายจ่ายน้ำสัมผัสกับส่วนเชื่อมต่อไฟฟ้า การทำเช่นนั้นอาจทำให้เกิดการควมแน่นซึ่งเป็นสาเหตุให้เกิดไฟไหม้ ไฟดูด ความร้อน หรือไฟฟ้าลัดวงจรได้

อย่าใช้น้ำอื่น ๆ นอกจากที่อนุญาตให้ใช้ได้ตามข้อกำหนดของกฎหมายและสอดคล้องกับขอบเขตการใช้งาน โปรดใช้แต่น้ำดื่มเท่านั้น

มิฉะนั้น อาจทำให้เกิดไฟฟ้าช็อตหรือไฟไหม้ได้ การทำเช่นนั้นจะทำให้เกิดการระคายเคืองต่อผิวหนังและทำงานผิดปกติได้

ห้ามติดตั้งผลิตภัณฑ์ไว้บนยานพาหนะที่เคลื่อนที่ได้ เช่น รถยนต์หรือเรือ

การทำเช่นนั้นอาจทำให้เกิดไฟไหม้ ไฟดูด ไฟฟ้าลัดวงจร หรือการทำงานผิดปกติได้ ฟาร่องนั่ง ฟาปัด หรือชิ้นส่วนอื่นๆ อาจหลวมและหลุดออก ทำให้ได้รับบาดเจ็บได้

ห้ามทำให้อายุไฟและปลั๊กไฟได้รับความเสียหาย โปรดอย่า ทบ ,ดึงแรงๆ, อย่าบิด, อย่างจนมากเกินไป, อย่าทำให้เป็นรอย, อย่าตัดแปลง, อย่าให้โดนความร้อน, อย่าเอาของหนักมาวางทับ, ห้ามมัดหรือพัน สายไฟและปลั๊กไฟ การใส่สายไฟที่เสียหายอาจทำให้เกิดไฟไหม้, ไฟฟ้าช็อต, เกิดความร้อน หรือไฟฟ้าลัดวงจร

อย่าใช้เต้าเสียบเกินขนาดที่กำหนด

การใช้เต้าเสียบปลั๊กเกินเต้าเพื่อจ่ายไฟให้กับอุปกรณ์หลายๆ ชิ้น โดยใช้หัวต่อหรือแอดปเตอร์แบบอื่นๆ อาจทำให้เกิดไฟไหม้ จากความร้อนที่สูงเกิน

ตรวจสอบให้แน่ใจว่าเสียบสายไฟ (C-2) เข้าไปในเต้าเสียบที่ผนัง (C-2-1) จนสุด

มิฉะนั้น อาจทำให้เกิดไฟฟ้าช็อตหรือไฟไหม้ได้

กรุณาตรวจสอบให้แน่ใจว่า สายไฟมีการเชื่อมต่ออย่างถูกต้อง อาจเป็นสาเหตุให้เกิดไฟไหม้หรือไฟฟ้าช็อตได้

ใช้เต้าเสียบที่มีขั้วสายดิน และต้องเชื่อมต่อเข้ากับ เครื่องตัดวงจรไฟฟ้าเมื่อกระแสรั่วลงดิน (Ground Fault Circuit Interrupter) ขนาด 30 มิลลิแอมแปร์หรือน้อยกว่า

เมื่อดึงปลั๊กออก ให้จับที่ตัวปลั๊ก ไม่ใช่ที่สายไฟ อย่าดึงปลั๊กออกโดยดึงสายไฟ

การดึงที่สายไฟอาจทำให้เกิดความเสียหาย และเกิดไฟไหม้หรือความร้อนได้

ตรวจสอบให้แน่ใจว่าไฟใช้ขั้วสายขั้วลิโค่นกับปลั๊กไฟเหมือนกัน

ปลั๊กไฟที่ไม่ได้มีการกันน้ำอาจทำให้เกิดไฟไหม้หรือไฟฟ้าช็อตได้

* หากปลั๊กไฟไม่ได้มีการกันน้ำ ให้สอบถามผู้ติดตั้งเพื่อให้ติดตั้งกันน้ำให้

ผลิตภัณฑ์นี้เป็นผลิตภัณฑ์ไฟฟ้า อย่าวางผลิตภัณฑ์ไว้ในบริเวณที่อาจสัมผัสกับน้ำ อย่าวางผลิตภัณฑ์ไว้ในสภาพแวดล้อมที่มีความชื้นสูง เพราะอาจทำให้มีหยดน้ำก่อตัวขึ้นบนผลิตภัณฑ์

เมื่อใช้ผลิตภัณฑ์ในห้องสุขา ให้ติดตั้งพัดลมหรือช่องระบายอากาศ เพื่อให้ห้องสุขามีอากาศหมุนเวียนอย่างเพียงพอและป้องกันไม่ให้มีความชื้นมากเกินไป

มิฉะนั้น อาจทำให้เกิดไฟฟ้าช็อตหรือไฟไหม้ได้

หากสายไฟเสียหาย ต้องให้แผนกบริการซ่อมของผู้ผลิตหรือผู้ที่มีความชำนาญเทียบเท่ากันทำการ เปลี่ยนสายไฟให้ใหม่ เพื่อป้องกันอันตรายที่อาจเกิดขึ้นได้

ต่อผลิตภัณฑ์เข้ากับหัวจ่ายน้ำเย็นเท่านั้น การต่อเข้ากับหัวจ่ายน้ำร้อนอาจทำให้เกิดการไหม้ และอุปกรณ์เสียหายได้

เมื่อติดตั้งผลิตภัณฑ์นี้ ให้ปฏิบัติตามกฎและมาตรฐานสำหรับงานติดตั้งต้องทำการเก็บสายไฟให้เป็นระเบียบและยึดอยู่กับที่

ตรวจสอบว่ามีกรติดตั้งสายดินที่เหมาะสม สำหรับสายดิน ใช้สายไฟทองแดงที่มีความต้านทานทางไฟฟ้าของการต่อลงดินสูงสุด 100 Ω และมีเส้นผ่านศูนย์กลางอย่างน้อย 1.6 มม. หากไม่ติดตั้งสายดิน เมื่อเกิดความชื้นหรือกระแสไฟฟ้ารั่ว อาจส่งผลให้เกิดไฟฟ้าช็อตได้

* หากยังไม่ติดตั้งสายดิน ให้สอบถามผู้รับเหมาที่ทำการติดตั้ง เพื่อให้ติดตั้งสายดินให้

ข้อควรระวังด้านความปลอดภัย (ต่อ)

⚠ คำเตือน

ตรวจสอบให้แน่ใจว่ามีการเชื่อมต่อสายไฟอย่างถูกต้องแล้ว (ขั้ว L : มีกระแสไฟฟ้าไหลผ่าน, ขั้ว N : เป็นกลาง). การเดินสายไฟที่ไม่ถูกต้องอาจทำให้เกิดความขัดข้องเชิงกลได้

มีระบบการตัดการเชื่อมต่อชั่วคราวทั้งหมดที่ใช้ในสายไฟที่ติดตั้งกับที่

⚠ ข้อควรระวัง

ติดตั้ง Washlet ให้ถูกต้องตามคำแนะนำในการติดตั้ง การติดตั้งที่ไม่ถูกต้องอาจทำให้มีน้ำรั่ว, เกิดไฟฟ้าช็อตหรือไฟไหม้ได้

อย่ายกผลิตภัณฑ์โดยจับที่ที่นั่งหรือฝาปิดโถสุขภัณฑ์ มิฉะนั้น อาจทำให้ชิ้นส่วนหลักของผลิตภัณฑ์หลุดออกมา, หล่น และทำให้เกิดการบาดเจ็บได้

อย่าพับหรือบิดขยี้สายยางหรือท่อน้ำ อย่าใช้วัตถุแหลมคม ตัดหรือแทงสายไฟให้เกิดความเสียหาย มิฉะนั้น อาจทำให้มีน้ำรั่วได้

อย่าถอดตัวกรองของวาล์วระบายน้ำออก ขณะที่ยังมีความดันน้ำเปิดอยู่ มิฉะนั้น จะทำให้มีน้ำรั่วได้

ประกอบผลิตภัณฑ์เข้ากับฐาน (Base plate) ให้แน่น โดยหลังจากประกอบเข้าแล้วจะมีเสียงคลิก ให้ทดลองดึงผลิตภัณฑ์เข้าหาตัวผู้ติดตั้ง เพื่อให้แน่ใจว่า ผลิตภัณฑ์จะไม่หลุดออก

การไม่ทำเช่นนี้อาจทำให้ชิ้นส่วนหลักของผลิตภัณฑ์หลุดออกมา, หล่น และทำให้เกิดการบาดเจ็บได้

ตรวจสอบเครื่องหมาย +- บนแบตเตอรี่ให้เรียบร้อยก่อนใส่

เพราะอาจเป็นสาเหตุให้ของเหลวในแบตเตอรี่รั่วซึม เกิดความร้อน แดงหรือเกิดเปลวไฟ

เมื่อไม่ใช้งานเป็นเวลานาน ให้เอาแบตเตอรี่ออกจากรีโมทคอนโทรล

เพราะอาจเป็นสาเหตุให้ของเหลวในแบตเตอรี่รั่วซึมได้

- ผลิตภัณฑ์นี้จัดเป็นอุปกรณ์คลาส I และจะต้องติดตั้งสายดิน
- กรุณาเก็บปลั๊กเอาต์พุดของอุปกรณ์นี้และเบรกเกอร์ไฟฟ้าเอาไว้ใกล้มือ
- ใช้ชุดสายยางใหม่ที่มาให้พร้อมกับอุปกรณ์นี้ อย่าใช้ชุดสายยางเก่าซ้ำ

ข้อควรระวังก่อนการติดตั้ง

ห้ามจ่ายไฟฟ้าและน้ำเข้าผลิตภัณฑ์จนกว่าจะติดตั้งแล้วเสร็จสมบูรณ์

อย่าทำให้ชิ้นส่วนสำหรับต่อสายยางจ่ายน้ำ (C-5) เสียหาย ขอบเขตแรงดันน้ำที่จ่ายออก 0.05 MPa <ไดนามิก> -0.75 MPa <คงที่>

ใช้งานชุดผลิตภัณฑ์ในช่วงแรงดันที่กำหนดไว้ หากแรงดันการจ่ายน้ำต่ำ ระบบทำความสะอาดโถสุขภัณฑ์อาจไม่ทำงาน

อุณหภูมิของน้ำที่จ่ายต้องอยู่ในช่วง 0 ถึง 35 °C ตรวจสอบให้แน่ใจว่าอุณหภูมิมีค่าอยู่ในช่วงดังกล่าว

อุณหภูมิของสภาวะแวดล้อมโดยรอบในการทำงานต้องอยู่ในช่วง 0 ถึง 40 °C ตรวจสอบให้แน่ใจว่าอุณหภูมิมีค่าอยู่ในช่วงดังกล่าว

อย่าใช้สายจ่ายน้ำ (C-5) ที่ไม่ได้ให้มาพร้อมกับผลิตภัณฑ์

*ผลิตภัณฑ์อาจมีน้ำค้างอยู่ภายในเนื่องจากผลิตภัณฑ์แต่ละชิ้นจะต้องผ่านการทดสอบการไหลของน้ำ ณ โรงงานผลิต น้ำที่ค้าง อยู่ในไม้โบบ่งชี้ว่าผลิตภัณฑ์มีปัญหา

กรุณาเดินสายไฟตามข้อกำหนดของผลิตภัณฑ์นี้ (กระแสไฟฟ้า 10 A หรือมากกว่า, AC 220-240 V (50 Hz / 60 Hz))

*แหล่งจ่ายไฟและกำลังไฟที่ใช้จะระบุอยู่บนฉลากของผลิตภัณฑ์นี้

ความยาวสายไฟ 1.2 ม

ตรวจสอบว่าเต้ารับอยู่ในตำแหน่งที่เหมาะสมกับความยาวนี้ กรณีติดตั้งต่อไปนี้อาจทำให้ประสิทธิภาพการรับสัญญาณของรีโมทคอนโทรลเปลี่ยนแปลงไป แม้จะใช้รีโมทคอนโทรลสั่งงาน แต่ตัวเครื่องอาจจะไม่ตอบสนอง

- ขนาดของห้อง หรือตำแหน่งของอุปกรณ์ไม่เป็นไปตาม

เงื่อนไขขนาดของห้อง / อุปกรณ์



- หากสีของเพดานหรือผนังเป็นสีเข้มเกินไป รวมทั้ง ฝ้าหรือวัสดุต่างๆที่ไม่เป็นไปตามเงื่อนไข

- หากมีชั้นวางหรือตู้ที่ผนังด้านหลังตัวเครื่อง

- หากอยู่ภายในแสงประเทกันอินฟราเรด กรุณาเปลี่ยนตำแหน่งการติดตั้งของรีโมทคอนโทรล หรือตรวจสอบผนังฝั่งตรงข้าม

Chú ý về an toàn

Trước khi lắp đặt, hãy chắc chắn rằng đã đọc chú ý về an toàn này để có thể tuân theo đúng các hạng mục chú ý, cảnh báo về an toàn.

Biểu tượng	Ý nghĩa
 Cảnh báo	Biểu tượng này hiển thị rằng nếu sử dụng không đúng cách thì sẽ có nguy cơ gây ra tử vong hoặc gây thương tích nghiêm trọng cho người sử dụng.
 Chú ý	Biểu tượng này hiển thị rằng nếu sử dụng không đúng cách thì sẽ có nguy cơ gây ra thiệt hại về tài sản và thương tích cho người sử dụng.

⚠ Cảnh báo

Không sử dụng nguồn điện khác với nguồn điện chỉ định. (AC 220-240 V, 50 Hz/60 Hz)

Do có thể gây ra chập điện, cháy nổ.

Không sử dụng sản phẩm khi dây điện hoặc phích cắm bị hỏng hoặc phích cắm bị lỏng.

Nếu không, có thể sẽ gây ra cháy nổ, điện giật.

Không lắp phích cắm ở bên dưới vị trí cấp nước.

Không để ống cấp nước chạm vào phích cắm hoặc ổ điện.

Nếu không, có thể gây ngưng tụ, dẫn đến cháy, điện giật, bỏng hoặc đoản mạch.

Không dùng loại nước khác ngoài loại được cho phép theo luật lệ và quy định của khu vực sử dụng.

Chỉ dùng nước sạch.

Không sử dụng nước biển hoặc nước tái chế.

Do có thể gây kích ứng cho da và trực tràng thiết bị.

Không lắp đặt trên các phương tiện chuyển động như xe cộ, tàu thuyền...

Nếu không, có thể gây ra các sự cố cháy nổ, điện giật, chập điện.

Bệ ngồi, nắp đậy hoặc thân sản phẩm có thể bị lỏng, bung ra, rơi xuống gây bị thương cho con người.

Không làm bất cứ điều gì có thể làm hỏng dây nguồn hoặc phích cắm.

Đối với dây nguồn thì không được đập, kéo căng, xoắn, cố uốn, làm xước, gia công, làm nóng dây, không đặt vật nặng đè lên dây, buộc hay gài bất cứ thứ gì vào dây.

Nếu dây bị trầy xước mà cứ để nguyên như vậy sử dụng thì có thể sẽ gây ra cháy nổ, điện giật, sinh nhiệt, chập điện.

Không sử dụng ổ cắm vượt quá khả năng chịu tải của nó.

Cắm quá nhiều phích cắm vào một ổ điện, chẳng hạn như bộ chia ổ điện, có thể gây cháy do thiết bị quá nóng.

Hãy chắc chắn rằng đã cắm dây điện (C-2) hết mức vào ổ cắm điện trên tường (C-2-1).

Nếu không, có thể sẽ gây ra cháy nổ, điện giật.

Đảm bảo nguồn điện được kết nối chính xác. Nếu không, có thể sẽ gây ra cháy nổ, điện giật.

Luôn luôn sử dụng ổ cắm điện nối đất và nó phải được nối với ất tốt nhất nối đất (30 mA trở xuống)

Khi tháo phích cắm thì cầm vào phích cắm chứ không cầm vào dây.

Không được tháo bằng cách kéo dây.

Nếu kéo căng dây có thể sẽ làm hỏng hóc dẫn đến cháy nổ, phát nhiệt.

Hãy xác nhận rằng phích cắm điện đã được xử lý chống thấm nước bằng cao su silicone.

Nếu không tiến hành xử lý chống thấm nước thì có thể sẽ gây ra cháy nổ, điện giật.

* Trường hợp phích cắm không được xử lý chống thấm nước, hãy liên hệ đến cửa hàng đã lắp đặt để được xử lý.

Sản phẩm này là đồ điện tử nên không được lắp đặt ở những vị trí dễ bị nước ngấm vào hoặc nơi có độ ẩm lớn để tạo giọt nước bám vào bề mặt sản phẩm. Trường hợp sử dụng ở trong phòng tắm thì hãy lắp quạt thông gió hoặc tạo lỗ thông gió để không khí có thể lưu thông bên trong phòng tắm.

Nếu không, có thể sẽ gây ra cháy nổ, điện giật.

Nếu dây điện bị hỏng hóc, để tránh nguy hiểm, hãy trao đổi với nhân viên có chuyên môn hoặc bên sửa chữa của nhà cung cấp để được thay thế.

Luôn kết nối sản phẩm với nguồn nước lạnh.

Nếu kết nối với nguồn nước nóng thì có nguy cơ gây bỏng, hoặc là gây hỏng hóc thiết bị.

Khi lắp đặt sản phẩm này, hãy tuân thủ theo các quy định về lắp đặt của từng quốc gia.

Kiểm tra xem dây nối đất đã được lắp đặt phù hợp chưa.

Với dây nối đất, sử dụng dây đồng có điện trở nối đất tối đa là 100 Ω và đường kính tối thiểu 1,6 mm.

Việc không nối đất phù hợp có thể dẫn tới điện giật nếu thiết bị hỏng ho c rò điện.

* Nếu chưa có, hãy yêu cầu nhà thầu thi công lắp đặt dây nối đất.

Chú ý về an toàn (Tiếp tục)

⚠ Cảnh báo

Xác nhận hệ thống điện được lắp đúng (Cực L: dương, Cực N: trung tính).

Hệ thống điện sai có thể dẫn đến thiết bị không hoạt động.

Phải lắp đặt toàn bộ át tô mát cho các dây cố định.

⚠ Chú ý

Phải lắp đặt tuân thủ theo sách hướng dẫn lắp đặt.

Nếu lắp không đúng, có thể sẽ gây ra rò nước, điện giật, cháy nổ.

Không nhấn sản phẩm lên bằng cách nắm vào nắp hoặc bề ngoài.

Nếu không, phần thân sản phẩm bị tuột, rơi ra có thể sẽ gây ra thương tích.

Không bẻ gấp, làm bẹp dây cáp nước hay làm hỏng dây bằng các vật sắc nhọn.

Nếu không, có thể sẽ gây ra rò nước.

Không được tháo lọc nước kiêm nút bịt khi van dừng vẫn còn đang ở trạng thái mở.

Nếu không, có thể sẽ dẫn đến rò rỉ nước.

Phần thân sản phẩm phải được lắp chắc chắn vào giá. Sau khi ấn sản phẩm đến khi có âm thanh “cách”, hãy kéo nhẹ phần thân về phía trước rồi xác nhận chắc chắn rằng nó không bị tuột ra.

Nếu không, phần thân sản phẩm nếu bị tuột ra sẽ là dẫn đến bị thương.

Đảm bảo kí hiệu âm và dương trên pin trước khi lắp chúng.

Nếu không, pin có thể bị rò rỉ chất lỏng, tạo ra nhiệt, vỡ hoặc cháy.

Nếu không sử dụng sản phẩm trong một thời gian dài, hãy tháo pin ở trạng thái điều khiển từ xa.

Nếu không pin có thể bị rò rỉ chất lỏng.

- Sản phẩm được phân loại trong nhóm Thiết bị Loại I và phải được nối đất.
- Thiết lập vị trí ổ cắm và bộ ngắt nguồn điện của thiết bị này sao cho có thể với tới được.
- Sử dụng bộ ống cấp nước mới đi kèm với thiết bị này. Không sử dụng lại bộ ống cấp nước cũ.

Chú ý trước khi lắp đặt

Không tiến hành cấp điện và nước cho đến khi hoàn tất toàn bộ các khâu lắp đặt.

Không làm hỏng khớp nối của dây cáp nước (C-5)

Áp suất cấp nước từ 0.05 MPa [ở trạng thái động] đến 0.75 MPa [ở trạng thái tĩnh].

Sử dụng thiết bị trong phạm vi áp suất nói trên.

Nếu áp lực cấp nước thấp sẽ không thể làm sạch lòng bàn cầu.

Nhiệt độ cấp nước là 0-35 °C. hãy đảm bảo sử dụng nước trong phạm vi nhiệt độ này.

Nhiệt độ sử dụng xung quanh là 0-40 °C. hãy đảm bảo sử dụng nước trong phạm vi nhiệt độ này.

Không sử dụng ống cấp nước (C-5) khác với những loại được cung cấp kèm theo sản phẩm.

*Do kiểm tra thông nước trước khi xuất hàng, nên sẽ có trường hợp còn đọng nước bên trong sản phẩm.

Tuy nhiên, điều này không có vấn đề gì đối với sản phẩm.

Hãy đi dây phù hợp với thông số kỹ thuật của sản phẩm này (công suất định mức lớn hơn hoặc bằng 10 A, AC 220-240 V (50 Hz / 60 Hz)).

*Nguồn cấp điện, công suất định mức được ghi trên nhãn của sản phẩm này.

Dây nguồn dài 1,2m.

Kiểm tra xem ổ cắm có được đặt ở vị trí thích hợp với chiều dài này không.

Các điều kiện sau có thể ảnh hưởng đến hiệu suất thu sóng của điều khiển từ xa, dẫn đến việc điều khiển từ xa không thể vận hành thân chính.

- Ảnh hưởng do kích thước phòng, cách bố trí đồ đạc, ...

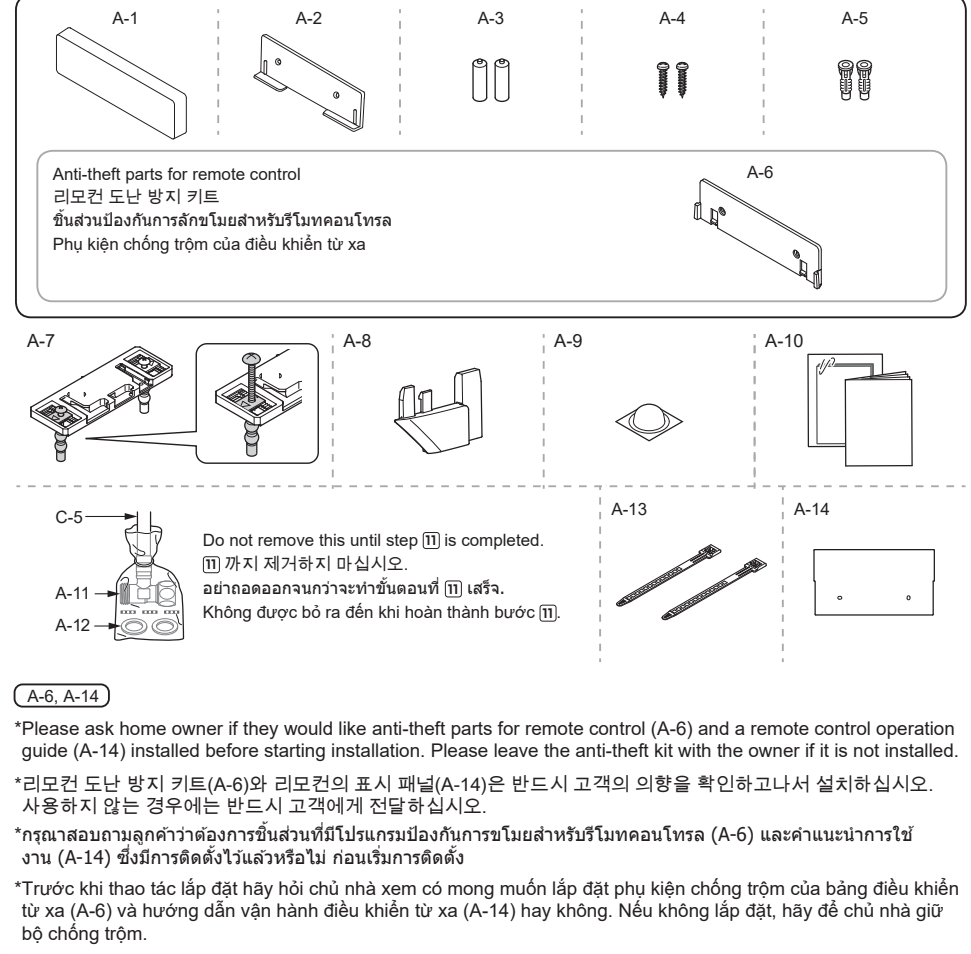
- Ảnh hưởng do màu của trần hoặc tường quá tối hoặc do chất liệu của chúng.

- Khi có giá hoặc tủ được lắp ở mặt tường phía sau thân chính.

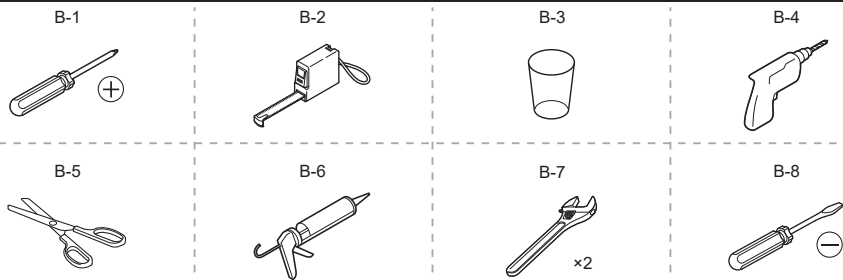
- Khi sử dụng hệ thống chiếu sáng biến tần.

Thay đổi vị trí của điều khiển từ xa hoặc thử chuyển sang tường đối diện.

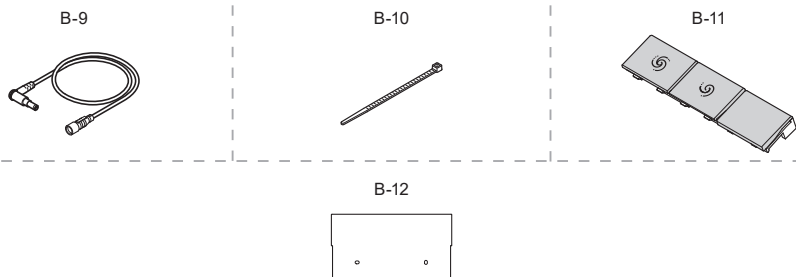
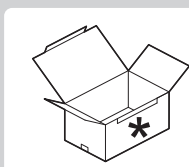
Included parts / 동봉 부품 / ชิ้นส่วนที่ห้มาด้วย / Phụ kiện đóng kèm



Required items / 설치 공구 / รายการที่ต้องใช้ / Các dụng cụ cần chuẩn bị



Only if there is a remote control flush function
리모컨 변기 세정 기능이 있는 경우
หากมีฟังก์ชันรีโมตคอนโทรลเท่านั้น
Chỉ sử dụng khi có chức năng điều khiển từ xa



B-12

The remote control operation guide (A-14) included with the product is not used, so please discard it. When attaching, be sure to confirm how the customer wants it attached. Select one operation guide (B-12) that was on the remote control, and attach to a wall together with the remote control hanger. If not used, be sure to give it to the customer.

제품에 동봉된 리모컨의 표시 패널(A-14)은 사용하지 않으므로 폐기하십시오.

설치할 때는 반드시 고객의 의향을 확인하고나서 설치하십시오.

리모컨에 있는 표시 패널(B-12)을 함께 선택하여 리모컨 행거와 함께 벽에 설치하십시오.

사용하지 않는 경우에는 반드시 고객에게 전달하십시오.

คำแนะนำการใช้งานรีโมตคอนโทรล (A-14) ที่มามีให้พร้อมกับผลิตภัณฑ์จะไม่ถูกใช้ ดังนั้นกรุณาทิ้งไป

เมื่อทำการติดตั้ง กรุณาตรวจสอบเพื่อยืนยันวิธีการติดตั้งที่ลูกค้าต้องการ

เลือกคำแนะนำการใช้งานหนึ่ง (B-12) ที่อยู่บนรีโมตคอนโทรล จากนั้นยึดไว้บนผนังพร้อมด้วยแท่นยึดรีโมตคอนโทรล

หากไม่ได้ใช้งาน กรุณามอบให้กับลูกค้า

Vi không cần dùng đến hướng dẫn vận hành điều khiển từ xa (A-14) đóng kèm với sản phẩm, nên xin hãy tháo bỏ.

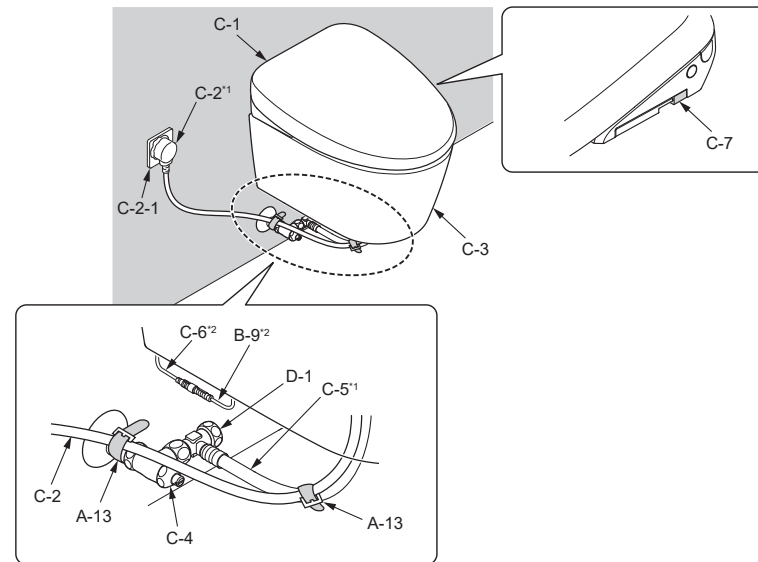
Trước khi gắn, hãy đảm bảo đã xác nhận khách hàng yêu cầu gắn như thế nào.

Chọn một bản hướng dẫn vận hành (B-12) đã có trên bảng điều khiển từ xa và gắn lên tường cùng với móc treo điều

khiển từ xa.

Nếu khách hàng không sử dụng, vẫn phải đảm bảo cung cấp hướng dẫn cho khách hàng.

Part diagram / 완성도 / แผนผังแสดงชิ้นส่วน / Bản vẽ hoàn thiện



*1 The shape may be different.

모양이 다를 수 있습니다.

รูปแบบอาจแตกต่างกัน

Có trường hợp sử dụng biến dạng khác.

*2 Only if there is a remote control flush function

리모컨 변기 세정 기능이 있는 경우

หากมีฟังก์ชันรีโมตคอนโทรลเท่านั้น

Chỉ sử dụng khi có chức năng điều khiển từ xa

Symbols and their meanings / 표시 의미 / สัญลักษณ์และความหมาย / Ý nghĩa của biểu tượng

Tasks that must be conducted by the installer.
시공자가 반드시 해야 하는 작업입니다.
งานที่ผู้ติดตั้งต้องทำ
Là thao tác phải được thực hiện bởi thợ lắp đặt.

Work flow direction.
작업 순서를 나타냅니다.
ขั้นตอนการทำงาน
Hiển thị thứ tự của thao tác.

Actions that the product should perform automatically.
제품이 자동으로 실시하는 작업입니다.
สิ่งที่ผลิตภัณฑ์ควรทำโดยอัตโนมัติ
Các thao tác trên sản phẩm phải được thực hiện tự động.

Visual confirmation required.
반드시 확인해야 하는 작업입니다.
ต้องทำการตรวจสอบ
Thao tác này cần phải kiểm tra bằng mắt.

Accessories for installation / 설치 부속품 / อุปกรณ์เสริมสำหรับติดตั้ง / Phụ kiện lắp ráp đi kèm

D-1

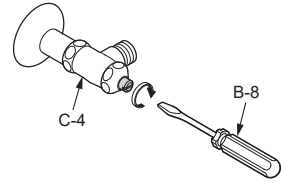


D-2

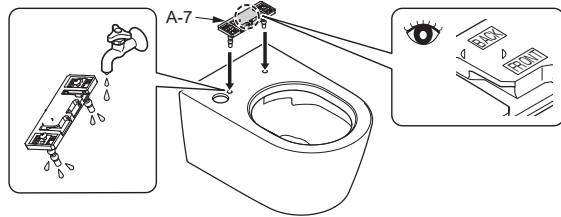


Installation procedure / 설치 방법 / ขั้นตอนการติดตั้ง / Trình tự lắp đặt

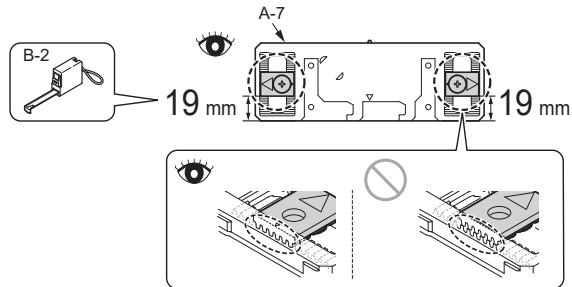
- 1** Close the water shutoff valve (C-4).
 지수전(C-4)을 닫습니다.
 ปิดวาล์วปิดน้ำ (C-4)
 Đóng van dừng nước (C-4).



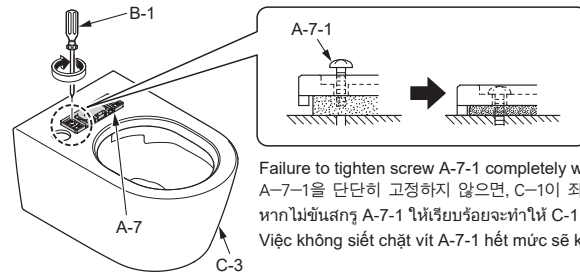
2



3

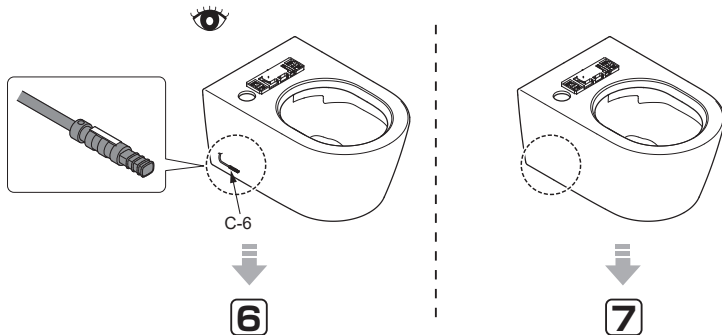


4



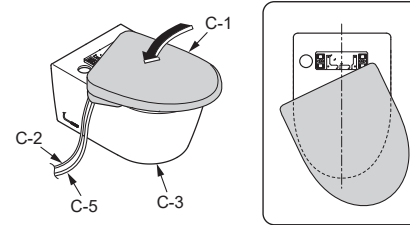
Failure to tighten screw A-7-1 completely will cause moving sideways of C-1.
 A-7-1을 단단히 고정하지 않으면, C-1이 좌우로 흔들릴 수 있습니다.
 หากไม่ขันสกรู A-7-1 ให้เรียบร้อยจะทำให้ C-1 เคลื่อนไปด้านข้างได้
 Việc không siết chặt vít A-7-1 hết mức sẽ khiến C-1 dịch chuyển.

5

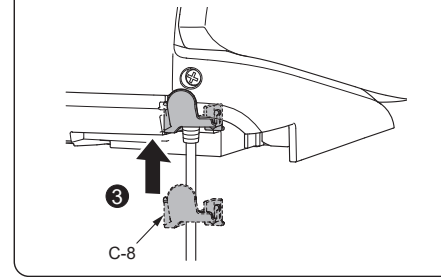
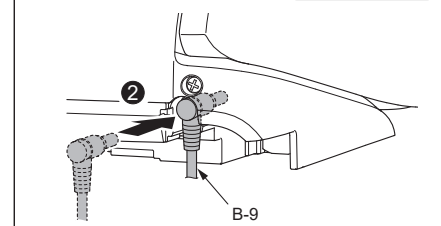
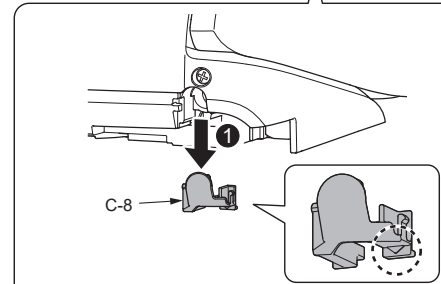
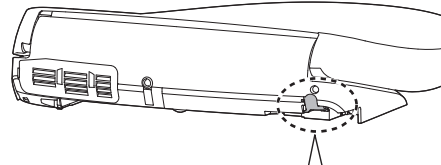


6

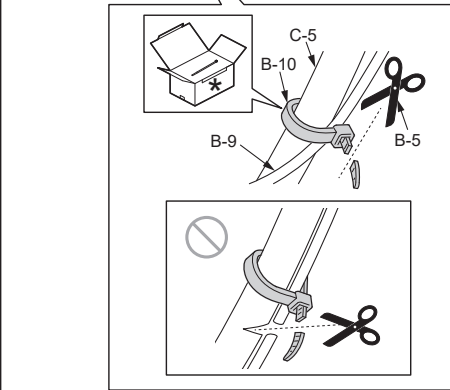
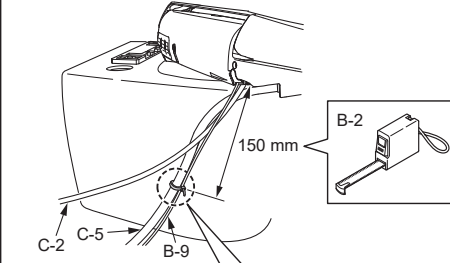
1



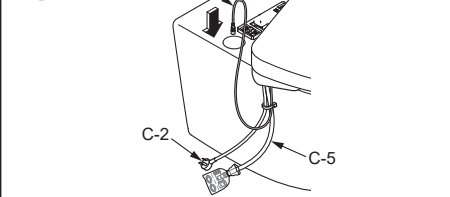
2

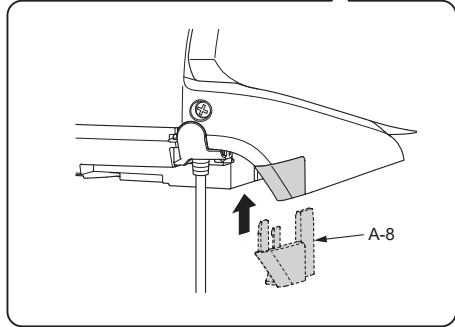
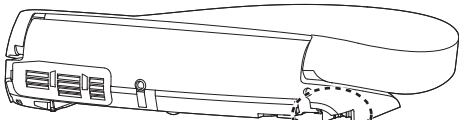
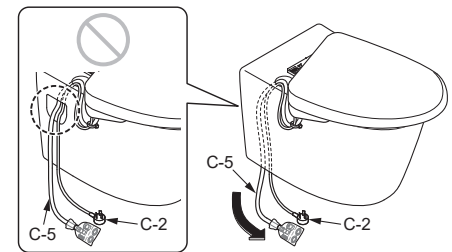
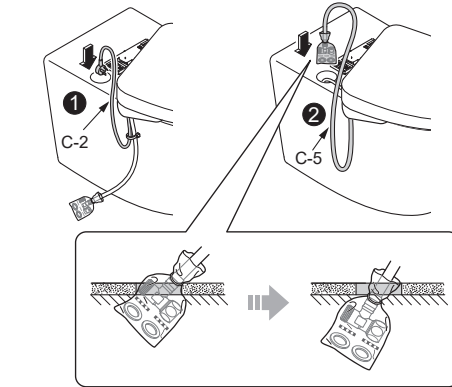
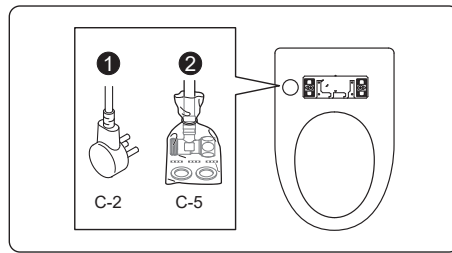


3



4



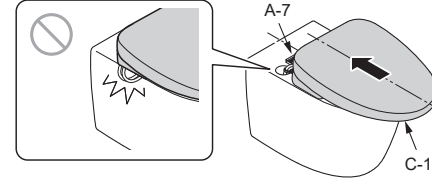
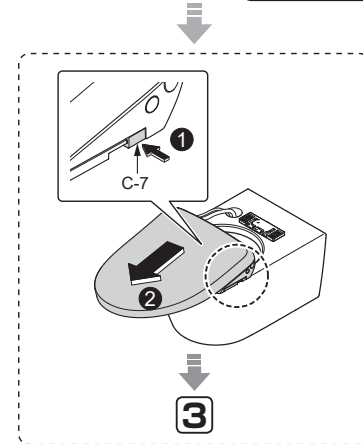
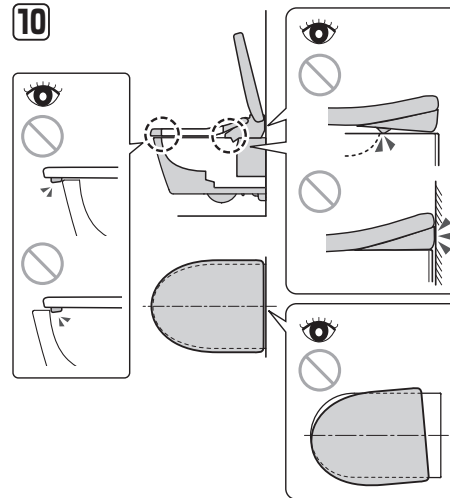
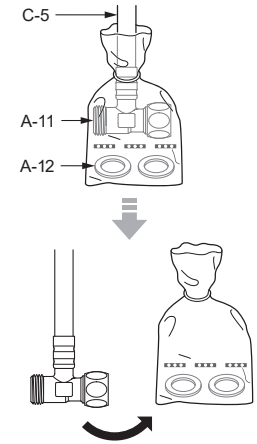
7**8****9**

Insert C-1 into A-7 until a click sound is heard. (After C-1 is mounted, make sure that it can not be removed even if it is pulled.)

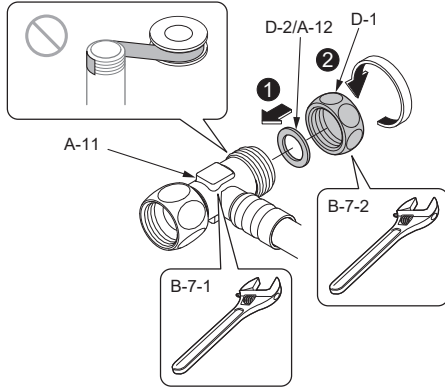
딸깍하는 소리가 날 때까지 C-1을 A-7에 밀어 넣습니다. (설치 후 C-1을 잡아당겨도 빠지지 않는지 확인하십시오.)

ใส่ C-1 ลงใน A-7 จนกระทั่งได้ยินเสียงคลิก (หลังจากที่ยึด C-1 แล้ว ต้องตรวจสอบให้แน่ใจว่าไม่สามารถถอดชิ้นส่วนนี้ออกได้แม้ว่าจะพยายามดึงออกมากก็ตาม)

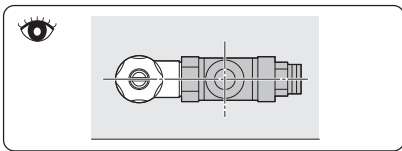
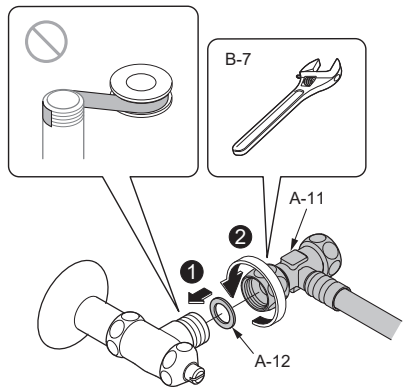
Cắm C-1 vào A-7 cho đến khi có âm thanh "cach" (sau khi lắp đặt, hãy xác nhận rằng cho dù có kéo căng C-1 ra cũng không bị tuột ra)

**10****11**

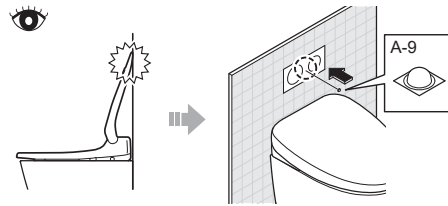
12



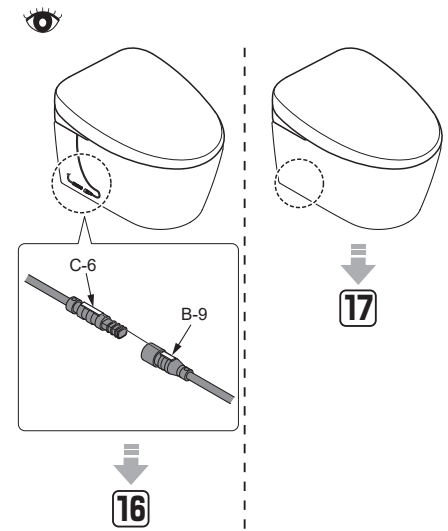
13



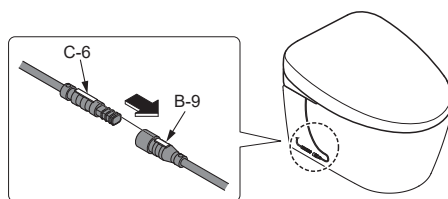
14



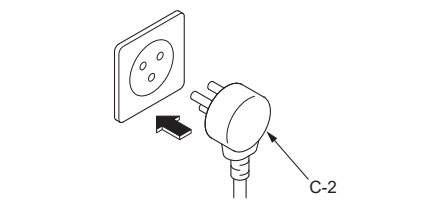
15



16

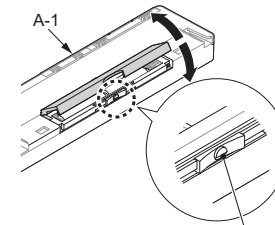


17

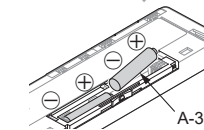


Remote control mounting / 리모컨 설치 / การติดตั้งรีโมทคอนโทรล / Lắp điều khiển từ xa

18

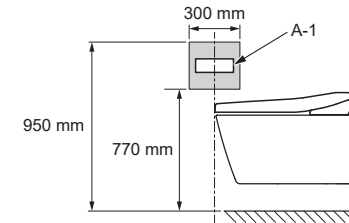


While pressing the protrusion
돌기부를 누르면서
กดส่วนที่ยื่นออกมาเอาไว้
Trong khi ấn phần nhô ra



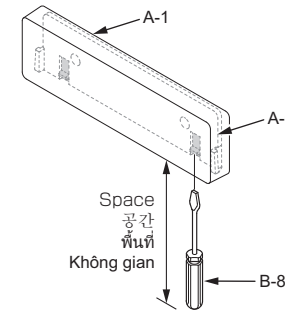
19

Side wall / 측벽 / ผนังด้านข้าง / Tường bên cạnh



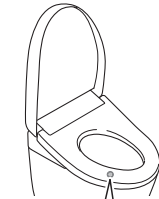
When installing anti-theft parts for remote control
리모컨 도난 방지 키트를 설치하는 경우
กรณีติดตั้ง ชิ้นส่วนป้องกันการลักขโมยรีโมทคอนโทรล
Trường hợp lắp phụ kiện chống trộm cho điều khiển từ xa

Secure space needed for B-8
B-8를 사용할 수 있도록 공간을 확보하십시오.
ทำให้แน่ใจว่าในพื้นที่นั้นสามารถใช้ B-8 ได้
Đảm bảo không gian có thể sử dụng được B-8



20

Temporarily place the remote control in the position determined in 19 and confirm the signal reception of A-1.
19에서 정한 임의 위치에서, A-1의 수신여부를 확인하십시오.
วางรีโมทคอนโทรลไว้ในจุดที่กำหนดไว้ในข้อ 19 ชั่วคราว และตรวจสอบการรับสัญญาณของ A-1
Đặt tạm vào vị trí chỉ định 19, sau đó hãy tiến hành xác nhận việc nhận tín hiệu của A-1.



1 Touch the entire label (seat sensor area) with your hand or arm. (Keep touching until 3.)
라벨 전체(착좌 센서)에 손 또는 팔을 닿게 합니다.
(3 까지 닿은 상태로 두십시오.)

ใช้มือหรือแขนสัมผัสฉลากทั้งหมด
(บริเวณเซ็นเซอร์ที่ฝารองนั่ง)
(และต่อไปจนกว่า 3)

Giữ tay hoặc cánh tay của bạn tiếp xúc với toàn bộ nhãn
(khu vực cảm ứng bệ ngồi) (Không di chuyển tay hoặc cánh tay của bạn ra xa cho đến bước 3.)

Label / 라벨 / ฉลาก / nhãn

Your skin must make direct contact with the sensor due to how it operates.

→ Confirm that deodorization starts.

착좌 센서에 피부가 직접 닿도록 하십시오.

→ 탈취가 시작되는지 확인하십시오.

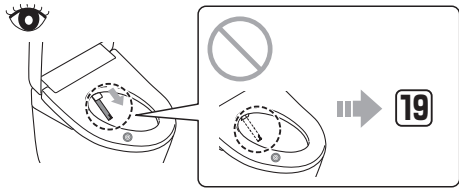
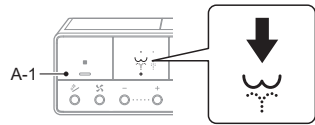
เนื่องจากเป็นเซ็นเซอร์กรุณาให้สัมผัสกับผิวหนังโดยตรง

→ ยืนยันให้แน่ใจว่าการกำจัดกลิ่นเริ่มทำงานแล้ว

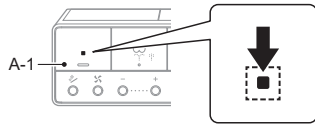
Do tính chất của cảm biến, hãy giữ da của bạn tiếp xúc trực tiếp.

→ Xác nhận rằng việc khử mùi bắt đầu.

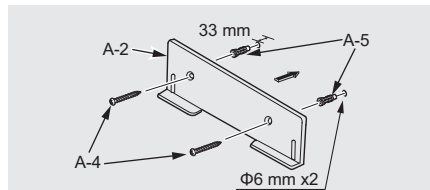
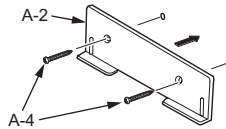
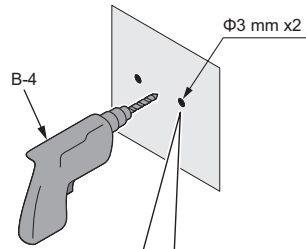
2



3

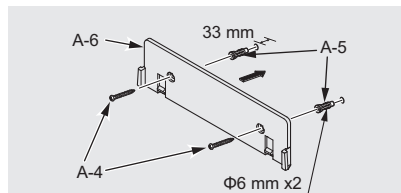
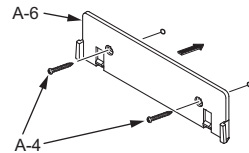


21



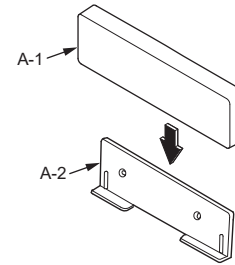
When mounting on a plaster board or tiled wall.
 석고 보드나 타일벽의 경우.
 กรณีแผ่นยิปซัมและผนังกระเบื้อง
 Trường hợp là tường thạch cao hoặc tường gạch men.

Anti-theft parts for remote control
 리모컨 도난 방지 키트
 ชิ้นส่วนป้องกันการลักขโมยสำหรับรีโมทคอนโทรล
 Phụ kiện chống trộm của điều khiển từ xa.



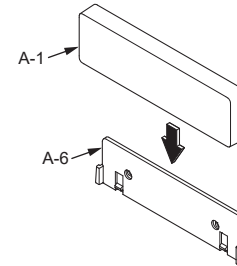
When mounting on a plaster board or tiled wall.
 석고 보드나 타일벽의 경우.
 กรณีแผ่นยิปซัมและผนังกระเบื้อง
 Trường hợp là tường thạch cao hoặc tường gạch men.

22



Anchored by magnet.
 자석으로 고정됩니다.
 ยึดติดด้วยแม่เหล็ก
 Cố định bằng nam châm.

Anti-theft parts for remote control
 리모컨 도난 방지 키트
 ชิ้นส่วนป้องกันการลักขโมยสำหรับรีโมทคอนโทรล
 Phụ kiện chống trộm của điều khiển từ xa.

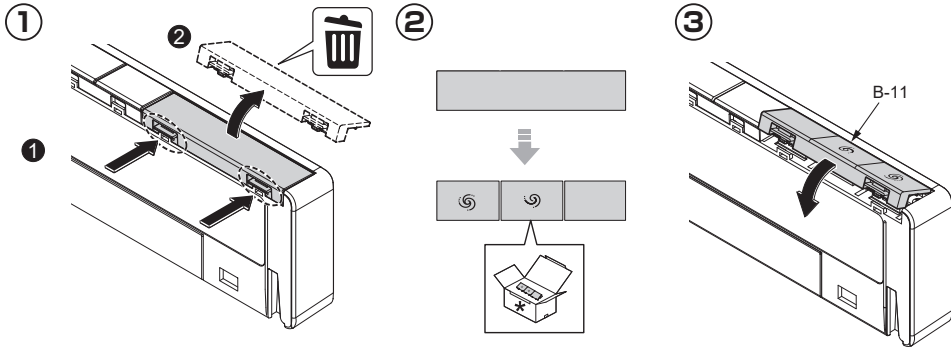


How to remove A-6
 A-6 분리 방법
 วิธีการถอด A-๖
 Cách tháo A-6

View from side
 옆에서 본 그림
 มุมมองด้านข้าง
 Nhìn từ bên cạnh

23

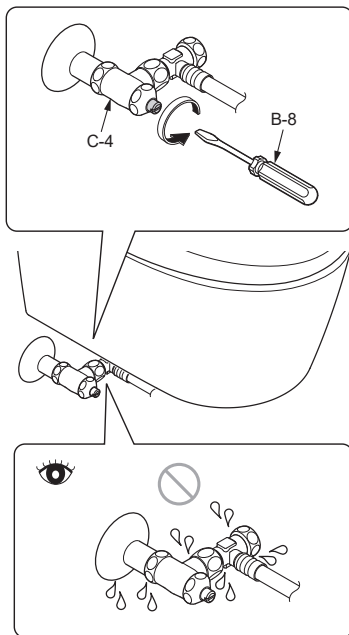
Only if there is a remote control flush function
리모컨 변기 세정 기능이 있는 경우
หากมีฟังก์ชันรีโมตคอนโทรลเท่านั้น
Chỉ sử dụng khi có chức năng điều khiển từ xa



Trial run / 시운전 / การทดสอบการทำงาน / Vận hành thử

24

Open the water shutoff valve (C-4).
지수전(C-4)을 엽니다.
เปิดวาล์วปิดน้ำ (C-4)
Mở van khóa nước (C-4).

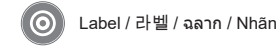


25

1 Touch the entire label (seat sensor area) with your hand or arm.
(Keep touching until 3.)
라벨 전체(착좌 센서)에 손 또는 팔을 닿게 합니다.
(3 까지 닿은 상태로 두십시오.)

ใช้มือหรือแขนสัมผัสสวิตช์ทั้งหมด (บริเวณเซ็นเซอร์ที่ฝารองนั่ง)
(แตะต่อไปจนกว่า 3.)

Giữ tay hoặc cánh tay của bạn tiếp xúc với toàn bộ nhãn (khu vực cảm ứng bộ ngồi)
(Không di chuyển tay hoặc cánh tay của bạn ra xa cho đến bước 3.)



Your skin must make direct contact with the sensor due to how it operates.

→ Confirm that deodorization starts.

착좌 센서에 피부가 직접 닿도록 하십시오.

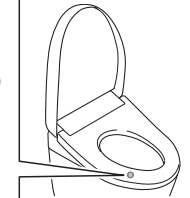
→ 탈취가 시작되는지 확인하십시오.

เนื่องจากเป็นเซ็นเซอร์กรรณาให้สัมผัสกับผิวหนังโดยตรง

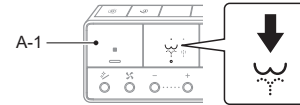
→ ยืนยันให้แน่ใจว่าการกำจัดกลิ่นเริ่มทำงานแล้ว

Do tính chất của cảm biến, hãy giữ da của bạn tiếp xúc trực tiếp.

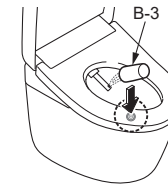
→ Xác nhận rằng việc khử mùi bắt đầu.



2



3



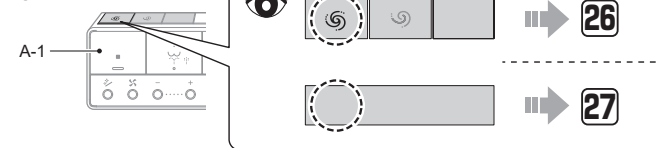
4

Move your hand or arm away from the entire label (seat sensor area) as shown in the above figure
위 그림과 같이 라벨(착좌 센서)에서 손이나 팔을 멀리 떨어뜨립니다.

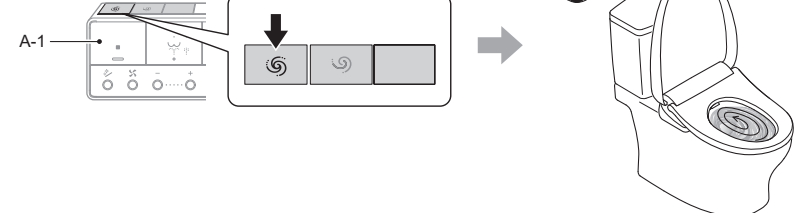
ขยับมือหรือแขนออกจากเซ็นเซอร์ (บริเวณเซ็นเซอร์ของฝารองนั่ง) ตามที่แสดงในภาพ

Di chuyển tay hoặc cánh tay của bạn ra xa khỏi toàn bộ nhãn (khu vực cảm ứng bộ ngồi) như thể
hiện trong hình ở trên

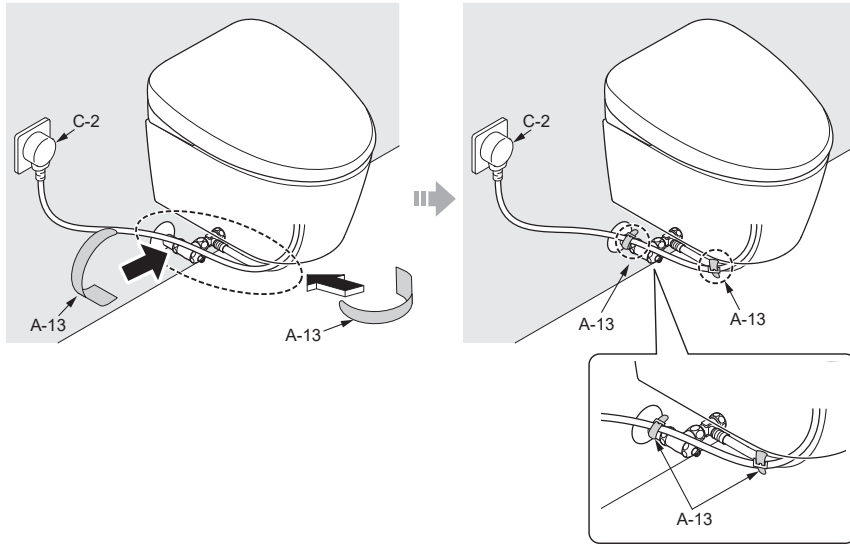
5



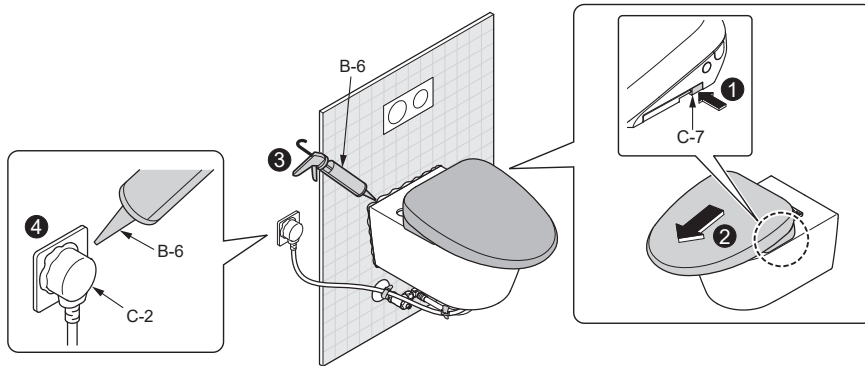
26



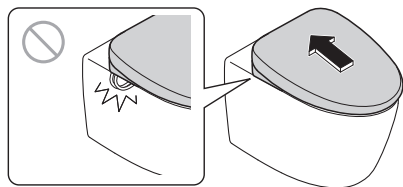
27



28



29



Installation complete
설치 완료
การติดตั้งเสร็จสมบูรณ์
Lắp đặt hoàn tất

MEMO